

wiltec User Manual

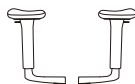
64984



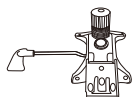
A (x1)



B (x1)



C (x1)



D (x1)



E (x1)



F (x5)



H (x1)



I (x1)



J (x5)



G (x6)
M6x30



G1 (x7)
M8x20



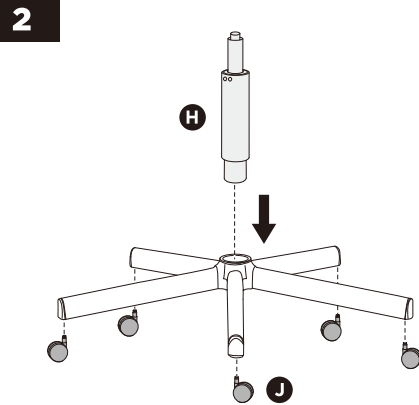
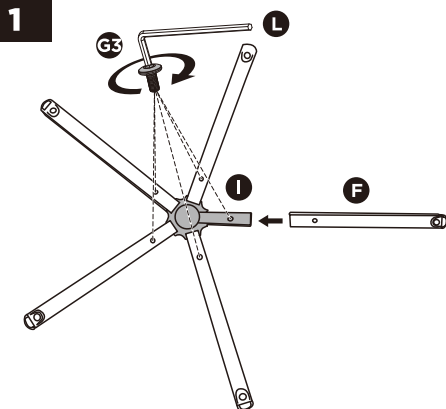
G2 (x2)
M6x16



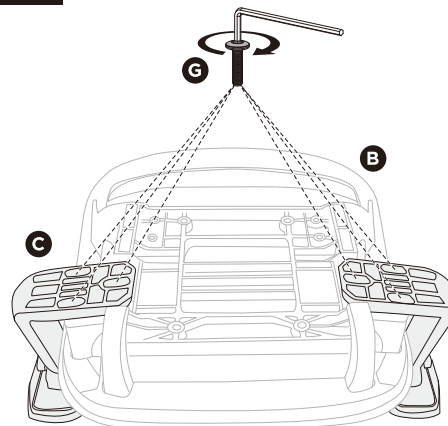
G3 (x5)
M6x15



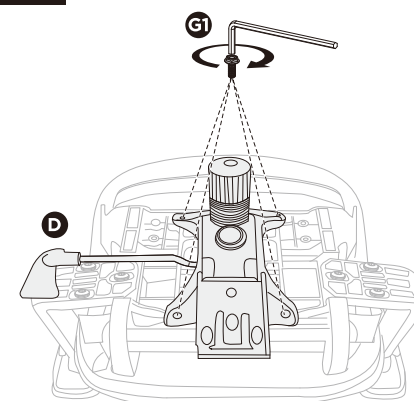
L (x1)
5mm



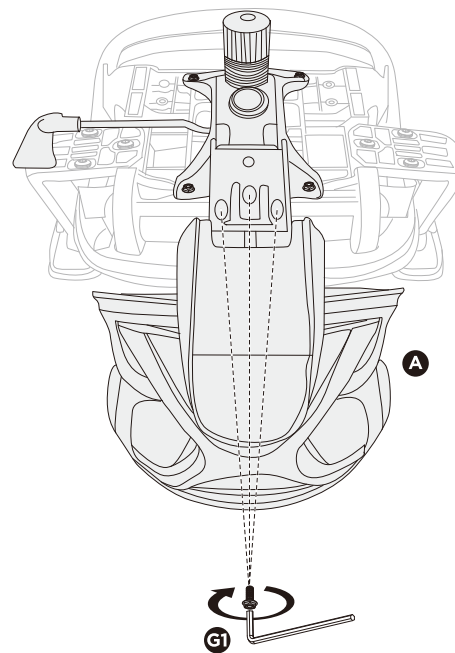
3



4



5



6

