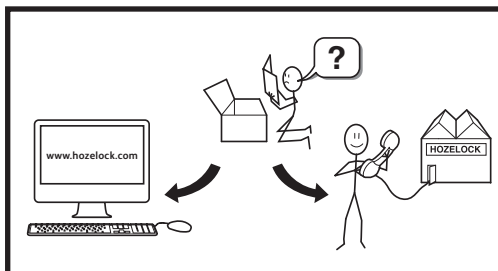


# EASYCLEAR

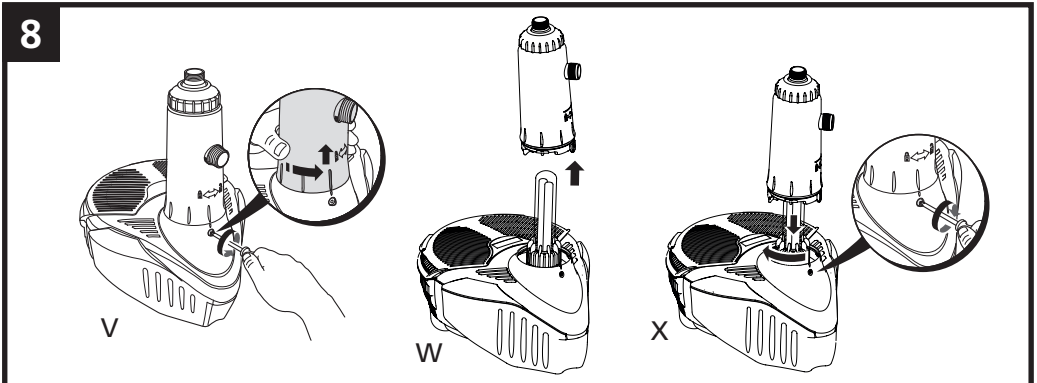
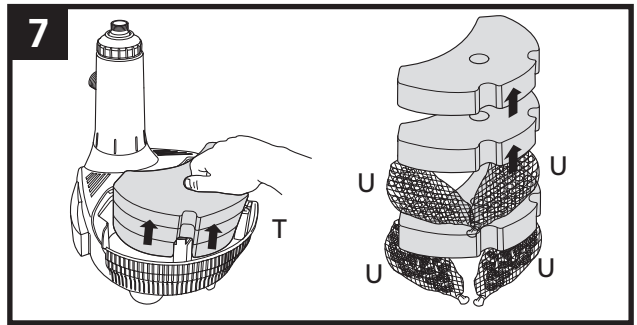
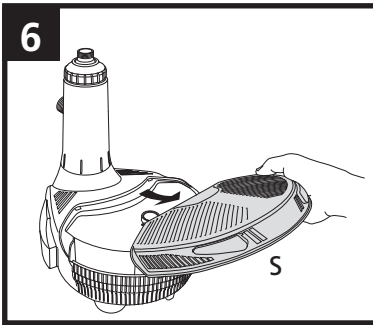
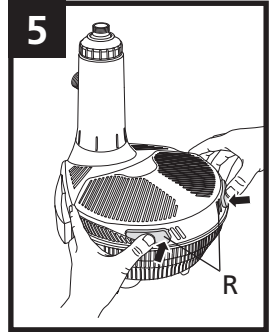
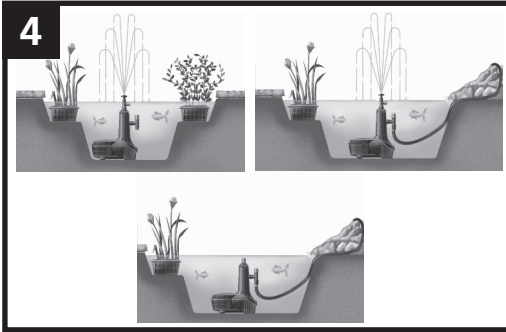
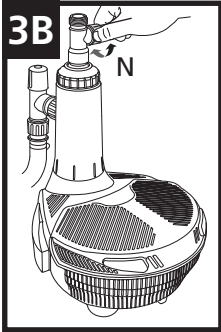
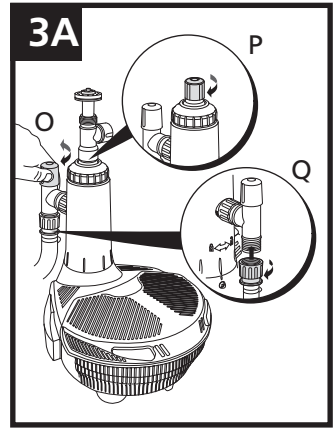
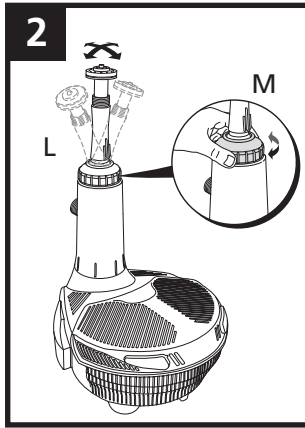
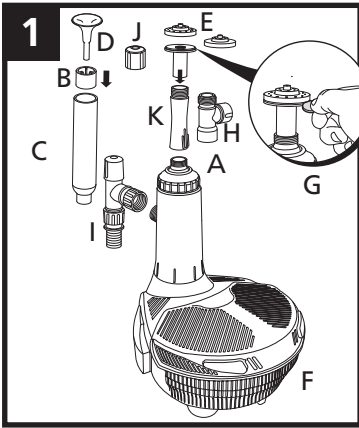
## 6000/7500/9000



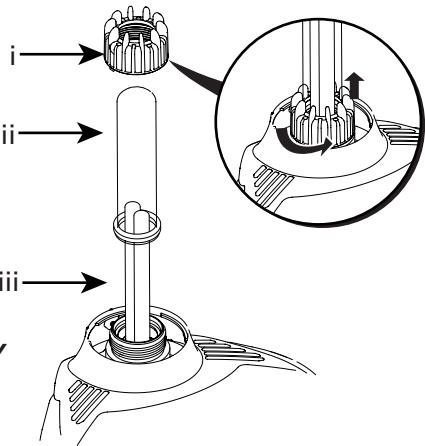
**RoHS**  
COMPLIANT  
2002/95/EC



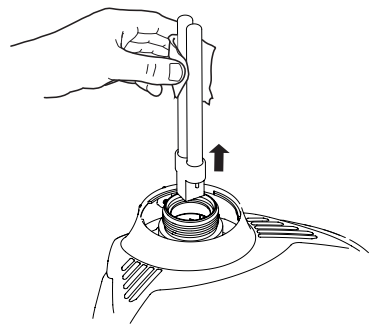
**3**  
YEAR  
GUARANTEE



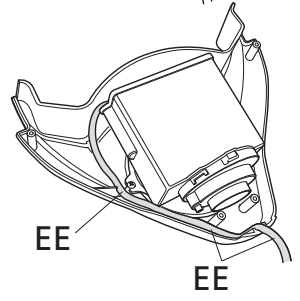
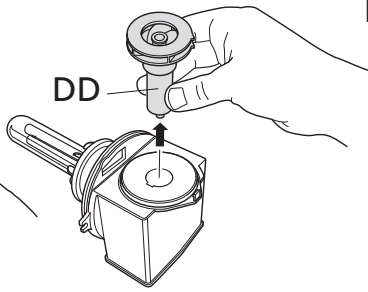
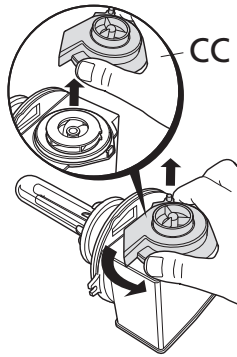
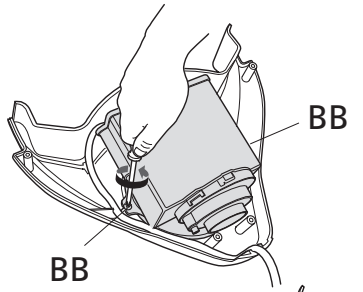
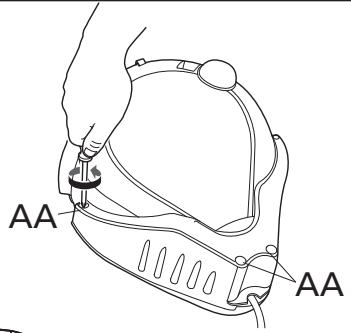
9



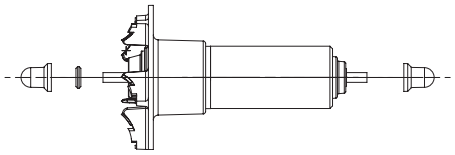
Z



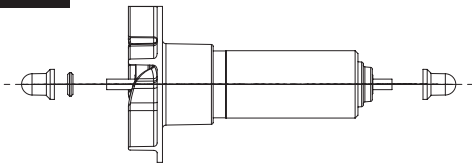
10



10A



10B



Thank you for choosing a HozeLock quality product, you can be assured of many years of reliable service from this product.

## INSTALLATION & OPERATING INSTRUCTIONS



**READ THESE INSTRUCTIONS CAREFULLY BEFORE ATTEMPTING INSTALLATION.**

**FAILURE TO OBSERVE THE FOLLOWING NOTICES MAY RESULT IN INJURY, PRODUCT DAMAGE OR LOSS OF FISH.**

**KEEP THESE INSTRUCTIONS FOR FUTURE REFERENCE.**

The HozeLock Cyprio EasyClear™ Fountain and Waterfall pump is designed for submersible use in outdoor ponds. It is an integrated unit that provides Mechanical & Biological Filtration with an Ultra Violet Clarifier and a Fountain and Waterfall.

### Attention: UV Caution

This appliance contains a UV-C emitter. Unintended use of the appliance or damage to the housing may result in the escape of dangerous UV-C radiation. UV-C radiation may, even in little doses, cause harm to the eyes and skin. The lamp is fitted with an interlock that will turn the lamp off when the bayonet is removed (fig 8-X).

When switched on, the lamp can be checked for operation in dark conditions, by looking for a bluish glow from the Fountain outlet (Fig 1-A). Do not run the product dry.

**Warning: Do not attempt to operate the UV-C emitter when it is removed from the appliance housing.**

**Warning: The appliance must be disconnected from the supply before replacing the UV-C emitter.**

### Important

This appliance must only be used by or under the supervision of a responsible adult who is capable of using the appliance in a safe way and who understands the hazards involved. Use and store this appliance out of reach of children and persons with reduced physical, sensory, or mental capabilities.

### Warning: Safety & Electrical Connections

**1.1 WARNING: ALWAYS UNPLUG OR DISCONNECT ALL APPLIANCES IN THE POND FROM THE ELECTRICITY SUPPLY BEFORE PUTTING YOUR HANDS IN THE WATER WHILST EQUIPMENT IS BEING INSTALLED, REPAIRED, CARRYING OUT ANY**

### MAINTENANCE OR BEING HANDLED IN ANY WAY.

- 1.2 This filter has been designed for the use with garden ponds only. Do not use this filter for any other use (i.e. do not use this filter in swimming pools, etc). Using the product for any other application may result in injury or product damage. This pump must not be used when people are in the water.
- 1.3 Appliances that are obviously damaged must not be operated.
- 1.4 The clear tube inside the unit is made from quartz glass and care should be taken during installation and maintenance. We recommend the use of eye protection and suitable gloves.
- 1.5 Do not remove and operate the pump unit from its outer housing. Using the unit without its outer housing may invalidate your warranty.
- 1.6 **Important:**  
This product is supplied with 10m of 3-core electric cable. The plug supplied with this product is not waterproof and it must be connected to the mains supply inside a dry weatherproof enclosure according to your local regulations.  
Permanent installations to the mains supply (hard wiring), must conform to the national and local wiring regulations. If in any doubt about wiring to the mains supply, consult a qualified electrician or local electricity authority.
- 1.7 If an extension cable is required, this should be connected to the end of the unit cable using a weatherproof connector. The joint must be positioned in a suitable weatherproof housing. The extension cable should be of 3 core 0.75mm<sup>2</sup> Polychloroprene rubber insulated cable (ref: HO5 RN-F) and permanently wired to the mains supply as described above in 1.6.
- 1.8 **WARNING:** This appliance **MUST** be earthed and it is essential that the connections are made using the following code:
  - BROWN - live
  - BLUE - neutral
  - GREEN/YELLOW - earth.
- 1.9 Exposed cable runs should be sensibly positioned and protected by armoured conduit, especially if there is a risk of contact with gardening equipment such as forks and lawnmowers, or children and domestic animals.
- 1.10 Do not operate this product if the mains supply cable has become damaged in any way. The supply cable is permanently connected and sealed to the pump and cannot be replaced. If the cable is damaged, the unit should be

disposed of according to local regulations.

- 1.11 A 30mA maximum Residual Current Device (RCD) MUST be fitted to the mains supply.
- 1.12 Permanent installations to the mains supply (hard wiring), must conform to the national and local wiring regulations. If in any doubt about wiring to the mains supply, consult a qualified electrician or local electricity authority.
- 1.13 Do not use the supply cable to lift the unit, as this may cause damage. We recommend fitting a lifting cord to the hook feature on the base, when the filter is installed in deep water. (Fig 1-F). If the product needs to be moved, the product should be switched off and lifted out of the water using this cord.
- 1.14 Do not switch the pump on out of water! The water level should be above the UVC indicator at the ball joint (Fig 4A-L).
- 1.15 Do not operate or leave the unit in freezing conditions. (See the section, "Winter Storage").
- 1.16 This product is not suitable for water temperatures above 35°C or below 0°C.
- 1.17 Only use accessories which have been designed for use with this product. The use of any other accessories or spares may invalidate your guarantee.

## Overload Protection

To help ensure your EasyClear's long life and to prevent damage, it is fitted with automatic thermal overload protection. This switches the pump or UV lamp off if either overheats. If this occurs, switch off the power at the mains supply to the unit. If it is the pump that has activated the Overload Protection, check for the cause (it is usually debris blocking the inlet of the pump or obstructing the impeller). Remove the obstruction and wait 15 minutes for the unit to cool down. Then switch it on again.

If it is the UV lamp that is activating the overload protection (pump is still running but UV lamp keeps going out after running for a short time), please contact Hozelock Consumer Services Helpline on +44 (0)121 313 1122.

Remember: The lamp is fitted with an interlock that will turn the lamp off when the bayonet is removed (Fig 8-X), so you can only see if the lamp is working in dark conditions, by looking for a bluish glow from the Fountain outlet (Fig 1-A) with the bayonet tube locked in position.

**NOTE: YOU MUST SWITCH OFF THE MAINS SUPPLY BEFORE THE UNIT WILL RESET.**

**CAUTION:** To avoid a safety hazard due to inadvertent resetting of the thermal overload protection, this product must not be used with an external switching device, such as a timer, or

connected to a circuit that is regularly switched on and off by the electricity supply.

## Periods of Operation

Keep the filter working 24 hours a day. Ideally it should run all year round, but at least throughout the fish-feeding season, (i.e. until the water temperature falls below 10°C and the fish stop feeding). In winter, operating the unit will maintain a basic level of useful bacteria in the Biological Filter, and will help prevent the pond icing over. However, the unit must not be allowed to freeze. If you switch the unit off for winter, wash the unit thoroughly before resuming filtration in the spring (see 'Winter Storage'). Never feed your fish when the unit is not in use.

## Before First Use

Inappropriate handling of this product during transit may result in damage to the quartz tube. Please inspect the quartz tube and seal before installation.

See the section "Maintenance" for details on how to access the quartz tube and lamp.

## Installation

**Position** - Construct a solid and level platform on which to place the EasyClear™. The platform should be greater than 300 mm (12") below the water level. For depths between 300mm and 600mm use the fountain stem extension segments (Fig 1-K), which simply screw together, to allow the fountain to be above the water level. For general installation see Fig 4. When using the EasyClear for a waterfall the entire unit should be submersed.

**Connection** - Place the unit next to the pond and route the cable back to the mains supply. Ensure that you allow for enough cable for positioning the product in the desired location in the pond.

## Accessory Assembly

### Bell Fountain (Fig 1).

Locate the Bell Support (B) to the Bell Main Body (C) and push fully home.

Position the Bell (D) to the Body Assembly and press into the central location. Insert this into the Fountain Flow Adjuster (Fig 1-H).

### 2 and 3 tier fountain display assembly (Fig 1-G).

The plastic discs (Fig 1-E) that create the 2 and 3 tier water displays simply snap onto the fountain stem. Push the fountain stem into the fountain stem extension segment and screw onto the fountain outlet (Fig 1-H).

## Fountain Only Operation

**Please note: It is not possible to completely close off the waterfall outlet (Fig 1-I). This is to allow water**

**to always bypass in to the pond even if the fountain head becomes blocked ensuring clear water. If the pond water is not clearing sufficiently it may be necessary to allow more water to bypass in to the pond by opening the waterfall outlet.**

The 2 and 3 tier fountainheads simply snap onto the fountain stem. The fountain angle can be adjusted to be vertical using the ball joint (Fig 2-L). The tightness of the ball joint can be adjusted (Fig 2-M) if required, the 2-Tier Fountainhead can be used to achieve an alternative and higher display pattern than the 3-Tier.

The fountain height can be adjusted to suit your needs by rotating the Fountain Flow Adjuster (Fig 3B-N). Turn the Waterfall Adjuster (Fig 3A-O) until closed to obtain the maximum fountain height.

The Bell Fountain creates a decorative 'water bell'. The size of the bell can be adjusted to suit your needs by rotating the Fountain Flow Adjuster (Fig 3B-N).

Install and position the pump as previously described and switch on.

## Fountain and Waterfall Operation

Attach a suitable length (3m maximum) of 25 mm (1") hose to the hose tail on the Waterfall Adjuster (Fig 3A-Q) and secure with a suitable hose clip and position the outlet end of the hose in the desired position.

Screw the Waterfall Adjuster onto the waterfall outlet on the front of the EasyClear™ (Fig 3A-Q).

Once the pump is operating the flow of the waterfall and the height of the fountain can be independently adjusted using the Fountain Adjuster (Fig 3B-N) and Waterfall Adjuster (Fig 3A-O).

Install and position the pump as previously described and switch on.

## Waterfall Only Operation

**(Fig 4 for general installation guide)**

Screw the blanking plug onto the fountain outlet (Fig 3A-P).

Attach a suitable length (3m maximum) of 25 mm (1") hose to the hose tail on the Waterfall Adjuster (Fig 3A-O) and secure with a suitable hose clip and position the outlet end of the hose in the desired position.

Screw the Waterfall Adjuster onto the waterfall outlet on the front of the EasyClear™ (Fig 3A-Q).

Adjust the flow using the Waterfall Adjuster, (Fig 3A-O), to suit your needs.

Install and position the pump as previously described and switch on.

## UVC Operation

The UVC will automatically switch on once the unit has been connected to the electricity supply if the bayonet tube is correctly locked in place.

The UVC lamp can be checked for operation by looking for a bluish glow from ball joint outlet (Fig 1-A). Please note that this may only become visible in low light conditions.

See Maintenance section for Lamp replacement.

## Maintenance

The Hozelock Cyprio EasyClear™ has been designed to allow fast and easy maintenance. As with all pond equipment, occasionally it will become necessary to clean or replace parts.

**WARNING: Disconnect this product from the electricity supply and refer to the section "Safety & Electrical Connections" before attempting any maintenance.**

### Fountain Head (Fig 1-E)

Follow the below procedure if the fountain head is blocked:

- 1 - Place a coin or similar in the slot and gently lever off the fountain head.
- 2 - Rinse in clean water and reassemble.

### Foam

Follow the below procedure if flow appears reduced:

- 1 - Release the Foam Cover by pushing the two buttons (Fig 5-R) and lift the cover (Fig 6-S).
- 2 - Remove the Foam (Fig 7-T). Note:- If the unit is out of the pond for more than 20 minutes the biological filter action may stop working. Rinse thoroughly in pond water (do not use tap water).
- 3 - The Foam Cover and Base should also be rinsed in pond water (do not use tap water).
- 4 - It may also be necessary to clean out the biomedica and stones (Fig 7-U) if these have become clogged. If this is necessary, the biomedica and stones should be rinsed in pond water only.
- 5 - Reassemble the Filter.

### Quartz Tube

Follow the below procedure if your pond remains green:

- 1 - Remove the bayonet locking screw (Fig 8-V), twist and lift the bayonet tube (Fig 8-W).
- 2 - Clean the Quartz Tube. Take extra care when handling the Quartz tube. In hard water areas, the quartz tube may become covered in limescale, which will reduce efficiency. Clean the tube with a soft cloth and a gentle de-scaler (such as vinegar and water), rinse in water before refitting.
- 3 - Reassemble the bayonet tube and screw and restart (Fig 8-X).

**Warning! Ensure that the quartz tube is not damaged before refitting.**



## Lamp Replacement

Follow the below procedure if the lamp needs replacing or does not illuminate:

Change the lamp at the start of the new season. Even though the lamp still glows it may not be giving out anyuseful UV radiation. How well the EasyClear™ performs is related to the strength of the UV radiation produced. This will slowly decline from the day your lamp is switched on. The UVC lamp has an effective life of 12 months. You need to change the lamp when there is a significant reduction in water clarity. Make sure this is due to an expired lamp and not a badly maintained filter or a dirty/limescaled quartz sleeve. Both can greatly reduce UV transmission into the water.

- 1 - Remove the bayonet locking screw (Fig 8-V), twist and lift the bayonet tube (Fig 8-W).
- 2 - Unscrew the quartz tube locking collar (Fig 9-Y-i). Gently hold the quartz tube (Fig 9-Y-ii), lift up and remove together with its o-rings (Fig 9-Y-iii) and locking collar.
- 3 - Remove the old lamp by gently pulling it from its holder (Fig 9-Z). Dispose of the old lamp according to local regulations and fit the new lamp.
- 4 - Slide the quartz tube down over the lamp. Ensure that the two o-rings at the base of the quartz tube are clean and free from debris.
- 5 - Slide the locking collar down over the quartz tube and screw down. You should screw down until the stop of the locking collar hits the stop of the housing so that the collar cannot be screwed down any more.
- 6 - Reassemble the bayonet tube and screw and restart (Fig 8-X).

**Warning! Ensure that the quartz tube is assembled correctly so that it provides a completely watertight seal.**

Check the condition of the two o-rings on the Quartz Tube Assembly (Fig 9-Y-iii). If these are damaged in any way or you cannot guarantee a water tight seal, contact Hozelock Consumer Services.

## Biological Filter

Normally, there is no need to remove the biomedica as any cleaning may kill the colonies of bacteria that make toxic waste harmless. However if the biomedica becomes heavily clogged and does require cleaning follow this procedure.

- 1 - Remove the foam.
- 2 - The bag of Kaldnes Biomedica (Fig 7-U) can then be removed for cleaning.
- 3 - Wash in pond water.
- 4 - Reassemble the filter and restart.

## Rotor Cleaning/Replacement

If the no water is being pumped or flow is reduced, remove the quartz tube and lamp as described above, then follow the below procedure.

- 1 - Release the Foam Cover by pushing the two buttons (Fig 5-M) and lift the cover (Fig 6-N).
- 2 - Remove the foam (Fig 7-T), biomedica (Fig 7-U) and stone bag.
- 3 - Turn the unit over and remove the 4 fixing screws (Fig 10-AA) and lift the base clear.
- 4 - Remove the 2 fixing screws (Fig 10-BB) and lift the Pump Assembly clear.

- 5 - Twist the Pump Chamber anticlockwise (Fig 10-CC) and lift clear. The rotor can now be pulled out forcleaning or replacement ( Fig 10-DD).

**Important! Take extra care so as to not drop any of the small components.**

**See Fig EasyClear™ 10A for assembly of the EasyClear™ 6000 and EasyClear™ 7500 rotors and Fig 10B for assembly of the EasyClear 9000 rotor.**

- 6 - Reassemble the pump and 2 off fixing screws (Fig 10-BB).
- 7 - Reroute the cable (Fig 10-EE).
- 8 - Reassemble the filter, and restart.

## All Year Pump Care

A quick daily check should be carried out to ensure that the pump is performing satisfactorily.

Once a week- Remove the outer casing and Fountain Head in accordance with the general maintenance notes.

Depending on pond water conditions, cleaning may be required more frequently.

Once a year- Completely disassemble the unit including the Rotor Assembly as described in the general maintenance notes, and wash all components in clean, freshwater.

Replace worn or broken parts.

## Winter Storage

When not in use, the unit should be removed, thoroughly washed and cleaned, dried and stored in a dry frost protected area. Always store the unit with the foam and foam cover off to ensure adequate ventilation and drying.

## Contact/Spare Parts

For product advice and spares please contact Hozelock Cyprio Consumer Services on 0121 313 1122 or visit [www.hozelock.com](http://www.hozelock.com)

## Fish Stocking and Density

Under normal conditions, the EasyClear™ will support up to 1.44m (EasyClear™ 6000 & EasyClear™ 7500) or 2.16m (EasyClear™ 9000) of fish. Introduce fish slowly over the first few weeks, up to 20% of the maximum recommended level, increasing to 50% after six months. The balance will allow for fish growth.

## Hozelock Cyprio Clearwater Guarantee

**WE GUARANTEE YOU CLEAR WATER OR YOUR MONEY BACK.**

**NOTE: IN SOME CASES IT CAN TAKE UP TO 6-8 WEEKS FOR YOUR WATER TO BECOME CLEAR.**

This guarantee runs for 12 months after purchase, provided that

- You have followed the installation and operating instructions.
- You are using equipment of the correct size and stocking level.
- You consult our Helpline (0121 313 1122) early enough for any problems to be put right.
- The product has been returned undamaged.

A refund can only be authorised by Hozelock Cyprio and is made only at the place of purchase to the value of the purchase price of the EasyClear™ only. A Proof of Purchase will be required. Please note that the Clearwater Guarantee does not cover loss of water clarity when blanketweed, as opposed to greenwater algae, is the cause.

## 3 Year Product Guarantee

If this unit, excluding the Rotor Assembly, Filter Foam & UV Lamp becomes unserviceable within 3 years of the date of purchase it will be repaired or replaced at our option free of charge, unless in our opinion it has been damaged or misused. Liability is not accepted for damage due to accident, improper installation or use.

Liability is limited to replacement of a faulty unit. This guarantee is not transferable. It does not affect your

statutory rights.

To obtain the benefits of the guarantee, firstly contact Hozelock Cyprio Consumer Services who may request that the filter is sent along with proof of purchase directly to the address provided.

**DAMAGE CAUSED BY RUNNING THE EasyClear™ OUT OF WATER OR BY FROST INVALIDATES THE GUARANTEE.**

## Fault Finding

Please read the safety sections of these instructions before carrying out any remedial action on the EasyClear™! It may also be necessary to refer to the maintenance section of these instructions.

### LOW FLOW FROM PUMP

- a - The foams may be blocked and require cleaning
- b - Ensure the outer cage is clean.
- c - Clear any blockages and adjust the flow controls.
- d - Check white flap inside pump chamber moves freely.
- e - Ensure rotor is clean and moves freely.

### POOR FOUNTAIN DISPLAY

- a - As above
- b - Clean the Fountain Head.

### UV LAMP NOT WORKING

- a - Check power supply is on.
- b - Check fuse, RCD and wiring.
- c - Replace the lamp.
- d - The Overload Protection may have operated – see Overload Protection section.

### PUMP NOT WORKING

- a - Check power supply is on.
- b - Check fuse, RCD and wiring.
- c - Check the rotor is not blocked.
- d - The Overload Protection may have operated – see Overload Protection section.
- e - Ensure the outer cage is clean.
- f - Check for water ingress in lamp area.

## Technical Information

Part Number	1764	1766	1768
Model	6000	7500	9000
Volts	230V 50Hz	230V 50Hz	230V 50Hz
UVC Power (W)	9	11	13
Total Power (W)	40	43	55
Maximum Pond size without Fish	6000 ltr (1319 gal)	7500 ltr (1648 gal)	9000ltr (1978 gal)
Maximum Pond size with Fish	4000 ltr (879 gal)	5000 ltr (1099 gal)	6000 ltr (1319 gal)
Max Flow, Qmax, (lph)	1700 lph (374 gph)	1700 lph (374 gph)	2850 lph (627 gph)
Max Head, Hmax, (m)	2m	2m	2.3m
IP Rating	IPX8	IPX8	IPX8
Max Water Temperature Tmax, (°C)	35°C	35°C	35°C

\* Measured under controlled conditions





Do not dispose of electrical appliances as unsorted municipal waste, use separate collection facilities. Contact your local government for information regarding the collection systems available. If electrical appliances are disposed of in landfills or dumps, hazardous substances can leak into the groundwater and get into the food chain, damaging your health and well-being. In the EU, when replacing old appliances with new ones, the retailer is legally obligated to take back your old appliance for disposal at least free of charge.

## F

Merci d'avoir choisi un produit de qualité Hozelock, vous pouvez être certain que ce produit assurera de nombreuses années de service fiable..

### MODE D'EMPLOI POUR L'INSTALLATION ET LE FONCTIONNEMENT



**LISEZ CES INSTRUCTIONS  
ATTENTIVEMENT AVANT  
D'ENTREPRENDRE L'INSTALLATION.**

**NE PAS SUIVRE CETTE NOTICE PEUT ENTRAÎNER  
DES BLESSURES, L'ENDOMMAGEMENT DE  
L'APPAREIL OU LA PERTE DE POISSONS.  
CONSERVER CES INSTRUCTIONS POUR RÉFÉRENCE  
ULTÉRIEURE.**

La pompe de fontaine et de cascade Hozelock Cyprio EasyClear™ est submersible et donc conçue pour être utilisée immergée dans des bassins extérieurs.

### Attention : Avertissement concernant les rayons UV

L'appareil contient un émetteur UVC. Une utilisation inadaptée de l'appareil ou un endommagement du boîtier pourrait provoquer la fuite de rayons UVC dangereux. L'exposition aux rayons UVC peut, même en petites doses, causer des brûlures des yeux et de la peau. La lampe est munie d'un disjoncteur qui l'éteindra si la vis à baïonnette est retirée (Fig 8-X).

On peut vérifier si la lampe fonctionne en repérant un reflet bleuté à la sortie de la fontaine (Fig 1-A). Veuillez noter que ceci ne sera visible que lorsque la lumière ambiante est faible. Ne faites pas fonctionner l'appareil à sec.

**Avertissement : N'essayez pas de faire fonctionner l'émetteur UVC lorsqu'il est en dehors du boîtier de l'appareil.**

**Avertissement : L'appareil doit être déconnecté de l'alimentation électrique avant d'enlever l'émetteur UVC.**

### Important

Cet appareil doit être uniquement utilisé par ou sous

la surveillance d'un adulte responsable qui est capable de l'utiliser en toute sécurité et qui comprend les dangers possibles. Utilisez et rangez cet appareil hors de la portée des enfants et des personnes présentant des capacités physiques, sensorielles ou mentales réduites.

### Avertissement : Sécurité et raccorde- ments électriques

- 1.1 AVERTISSEMENT : IL EST IMPÉRATIF DE DÉBRANCHER OU DE DÉCONNECTER DE LA SOURCE D'ÉLECTRICITÉ TOUS LES ÉQUIPEMENTS QUI SE TROUVENT DANS LE BASSIN AVANT DE METTRE VOS MAINS DANS L'EAU PENDANT QUE VOUS INSTALLEZ, RÉPAREZ, ENTRETIENEZ OU MANIPULEZ CES ÉQUIPEMENTS DE QUELQUE MANIÈRE QUE CE SOIT.**
- 1.2 Cet appareil a été conçu pour un usage en bassin de jardin uniquement. N'utilisez pas ce filtre pour tout autre usage (par exemple, ne l'utilisez pas dans une piscine, etc.). Toute autre utilisation de ce produit pourrait entraîner des blessures ou endommager l'appareil. Cette pompe ne doit pas être utilisée lorsqu'il y a des gens dans l'eau.
- 1.3 Un appareil endommagé ne doit pas être mis en marche.
- 1.4 Le tube transparent à l'intérieur de l'unité est en verre de quartz et nécessite une attention particulière lors de l'installation et de l'entretien. Nous vous recommandons d'utiliser les lunettes et gants de protection qui conviennent.
- 1.5 Ne faites pas fonctionner l'unité sans qu'elle soit dans sa cage extérieure. L'utilisation de l'unité sans la cage extérieure pourrait annuler votre garantie.
- 1.6 **Important :**  
Ce produit est fourni avec un câble électrique à 3 fils d'une longueur de 10 mètres. La prise fournie avec cet appareil n'est pas étanche et doit être connectée à l'alimentation secteur dans un boîtier sec et étanche conformément à la réglementation locale.  
Les installations permanentes sur l'alimentation secteur doivent être conformes aux réglementations locales et nationales en matière de câblage. En cas de doute concernant le câblage au secteur, contactez un électricien qualifié ou le fournisseur d'électricité local.
- 1.7 Si une rallonge est nécessaire, elle doit être raccordée à la fin du câble de l'unité à l'aide d'un connecteur étanche. Le joint doit être placé dans un boîtier étanche adapté. La rallonge doit être un câble à 3 fils avec une section de 0,7 5mm<sup>2</sup> et doté d'une gaine isolante en caoutchouc

polychloroprène (réf. H05 RN-F) raccordé en permanence à l'alimentation secteur comme indiqué ci-dessus au point 1.6.

- 1.8 **AVERTISSEMENT** : Cet appareil DOIT être branché à la terre et il est indispensable que les branchements soient faits en utilisant les codes suivants :
- MARRON – phase
  - BLEU – neutre
  - VERT/JAUNE – terre.
- 1.9 Les câbles exposés doivent être positionnés et protégés dans des conduits blindés, notamment lorsqu'ils peuvent entrer en contact avec du matériel de jardinage (tondeuses, fourches, etc.), des enfants ou des animaux.
- 1.10 Ne mettez jamais en marche l'appareil si le câble d'alimentation est endommagé. Le câble électrique est connecté en permanence et scellé sur la pompe ; il ne peut pas être remplacé. Si le câble est endommagé, la pompe doit être jetée conformément à la réglementation locale.
- 1.11 Un disjoncteur de courant résiduel (RCD) de 30 mA maximum DOIT être monté sur l'alimentation secteur.
- 1.12 Les installations permanentes sur l'alimentation secteur doivent être conformes aux réglementations locales et nationales en matière de câblage. En cas de doute concernant le câblage au secteur, contactez un électricien qualifié ou le fournisseur d'électricité local.
- 1.13 Ne soulevez jamais l'unité par son câble d'alimentation, cela pourrait l'endommager. Nous vous recommandons, quand le filtre est installé dans une eau profonde, d'attacher une corde au crochet sur la base. (Fig 1-F). Si le filtre doit être déplacé, l'appareil doit d'abord être éteint et soulevé hors de l'eau avant d'utiliser la corde.
- 1.14 N'allumez pas la pompe hors de l'eau ! Le niveau de l'eau doit être au-dessus de l'indicateur UVC au joint à rotule (Fig 4A-L).
- 1.15 Ne pas faire fonctionner ou laisser l'unité dehors lorsqu'il gèle. (Voir la section « Rangement hivernal »).
- 1.16 Ce produit n'est pas adapté à une température d'eau supérieure à 35°C ou inférieure à 0°C.
- 1.17 N'utilisez que des accessoires conçus pour cet appareil. L'utilisation de tout autre accessoire ou pièce détachée pourrait annuler votre garantie.

## Protection de surcharge

Pour assurer une longue vie à votre EasyClear et pour éviter de l'endommager, il est équipé d'une Protection de surcharge thermique automatique. Celle-ci fermera

la pompe ou la lampe UV en cas de surchauffe. Si cela se produit, éteignez l'alimentation secteur à l'unité. Si c'est la pompe qui a activé la protection de surcharge, vérifiez-en la cause (ce sont généralement des débris qui bloquent l'entrée de la pompe ou obstruent la roue). Retirez le blocage et attendez 15 minutes pour que l'unité se refroidisse et ensuite rallumez-la.

Si c'est la lampe UV qui a activé la protection de surcharge (la pompe fonctionne toujours mais la lampe UV s'éteint continuellement après avoir fonctionné pendant une courte durée), veuillez contacter le Service d'Assistance du Service Client d'Hozelock au +44 (0)121 313 1122.

Rappelez-vous : La lampe est munie d'un disjoncteur qui l'éteindra si la vis à baïonnette est retirée (Fig 8-X), donc on peut vérifier si la lampe fonctionne en repérant un reflet bleuté à la sortie de la fontaine (Fig 1-A) lorsque le tube à baïonnette est enclenché. Veuillez noter que ceci ne sera visible que lorsque la lumière ambiante est faible.

**NOTE : VOUS DEVEZ FERMER L'ALIMENTATION SECTEUR POUR PERMETTRE À L'UNITÉ DE SE RÉINITIALISER AVANT QUE L'UNITÉ SE RÉINITIALISE.**

**AVERTISSEMENT** : Pour éviter tout danger pour la sécurité dû à la réinitialisation par inadvertance de la protection de surcharge thermique, ce produit ne doit pas être utilisé avec un interrupteur externe, comme un minuteur, ou raccordé à un circuit qui est régulièrement allumé et éteint par l'alimentation électrique.

## Périodes de fonctionnement

Laissez le filtre fonctionner 24h/24. Dans l'idéal, il devrait fonctionner toute l'année, et au minimum pendant toute la saison où les poissons sont nourris (c.-à-d. jusqu'à ce que la température descende en dessous de 10°C et que les poissons arrêtent de se nourrir). En hiver, le fonctionnement de l'unité maintiendra un niveau de base de bactéries utiles dans le filtre biologique et cela aidera à empêcher que l'eau de surface du bassin ne gèle. Cependant, l'unité ne doit pas geler. Si vous fermez l'unité pour l'hiver, lavez-la soigneusement avant de recommencer la filtration de l'eau du bassin, au printemps (Voir « Rangement hivernal »). Ne nourrissez jamais vos poissons lorsque l'unité n'est pas utilisée.

## Avant la première utilisation

La manipulation inappropriée de ce produit pendant le transport peut endommager le tube quartz. Veuillez inspecter le tube quartz et vérifier qu'il est complètement étanche avant l'installation.

Voir la section « Entretien » pour avoir des détails sur la façon d'accéder au tube quartz et à la lampe.

## Installation

**Position** – Construisez une plate-forme solide et à niveau, sur laquelle sera placé l'EasyClear™. La plate-forme doit se trouver à plus de 300 mm en dessous le niveau de l'eau. Pour des profondeurs qui se situent entre 300 mm et 600 mm, utilisez les segments d'extension de la tige de la fontaine (Fig 1-K), qui se vissent ensemble, ceci afin que la fontaine se trouve au-dessus du niveau de l'eau. Pour l'installation générale, voir Fig 4. Lors de l'utilisation de l'EasyClear pour une cascade, l'unité doit être complètement immergée.

**Connexion** – Posez l'unité à côté du bassin et achomez le câble jusqu'à l'alimentation secteur. Assurez-vous d'avoir assez de câble pour positionner le produit à l'endroit désiré dans le bassin.

## L'assemblage des accessoires

### La fontaine cloche (Fig 1).

Placez le support de la cloche (B) sur le corps principal de la cloche (C) et enfoncez-le complètement.

Positionnez la cloche (D) sur l'assemblage du corps et enfoncez sur la partie centrale. Insérez-la dans l'ajusteur de débit de la fontaine (Fig 1-H).

### L'assemblage du jeu de fontaine à 2 et 3 niveaux (Fig 1-G).

Les disques en plastique (Fig 1-E) qui créent les jeux de fontaine de 2 et 3 niveaux s'enclenchent facilement dans la tige de la fontaine. Enfoncez la tige de la fontaine dans le segment d'extension de la fontaine et vissez sur l'ajusteur de débit de la fontaine (Fig 1-H).

## Utilisation de la fontaine

**Veillez noter : Il n'est pas possible de fermer complètement la sortie de la cascade (Fig 1-I). Cela permet à l'eau de toujours arriver dans le bassin, même si la tête de fontaine se bouche, ceci afin d'assurer de l'eau claire. Si l'eau du bassin n'est pas suffisamment évacuée, il sera peut-être nécessaire de permettre à plus d'eau d'arriver dans le bassin en ouvrant la sortie de la cascade.**

Les têtes de fontaines de 2 et 3 niveaux s'enclenchent simplement dans la tige de fontaine. L'angle de la fontaine peut être ajusté de manière à être vertical en utilisant le joint à rotule (Fig 2-L). Le resserrement du joint à rotule peut être ajusté (Fig 2-M) si nécessaire, la tête de fontaine de 2 niveaux peut être utilisée pour obtenir des jets d'eau différents et plus hauts que le 3 niveaux.

La hauteur de la fontaine peut être réglée pour répondre à vos besoins en faisant tourner l'ajusteur de débit de la fontaine (Fig 3-B-N). Tournez l'ajusteur de cascade (Fig 3A-O) jusqu'à ce qu'il soit fermé pour obtenir la hauteur maximum de la fontaine.

La fontaine cloche crée un jet d'eau décoratif en forme de cloche. La taille de la cloche peut être réglée pour répondre à vos besoins en tournant l'ajusteur de débit de fontaine (Fig 3-B-N).

Installez et positionnez la pompe comme décrit ci-dessus et mettez en marche.

## Fonctionnement de la fontaine et de la cascade

Fixez une longueur de tuyau qui convient (3 m maximum) de 25 mm à la queue de tuyau de l'ajusteur de la cascade (Fig 3A-Q) et fixez avec une attache de tuyau appropriée sur la sortie de tuyau dans la position voulue.

Vissez l'ajusteur de la cascade sur la sortie de la cascade à l'avant de l'EasyClear™ (Fig 3A-Q).

Une fois que la pompe fonctionne, le débit de la cascade et la hauteur de la fontaine peuvent être réglés indépendamment au moyen de l'ajusteur de fontaine (Fig 3B-N) et l'ajusteur de cascade (Fig 3A-O).

Installez et positionnez la pompe comme décrit ci-dessus et mettez en marche.

## Utilisation de la cascade seule

### (Fig 4 comme guide général d'installation)

Vissez le bouchon obturateur dans la sortie de la fontaine (Fig 3A-P).

Fixez une longueur de tuyau qui convient (3 m maximum) de 25 mm à la queue de tuyau de l'ajusteur de la cascade (Fig 3A-O) et fixez avec une attache de tuyau appropriée sur la sortie de tuyau dans la position voulue.

Vissez l'ajusteur de la cascade sur la sortie de la cascade à l'avant de l'EasyClear™ (Fig 3A-Q).

Réglez le débit selon vos besoins au moyen de l'ajusteur de la cascade (Fig 3A-O).

Installez et positionnez la pompe comme décrit ci-dessus et mettez en marche.

## Fonctionnement de l'UVC

L'UVC se met en marche automatiquement lorsque l'unité est connectée à l'alimentation secteur si le tube à baïonnette est correctement enclenché.

On peut vérifier si la lampe UVC fonctionne, en repérant un reflet bleuté à la sortie du joint à rotule (Fig 1-A). Veuillez noter que ceci ne sera visible que lorsque la lumière ambiante est faible.

Pour remplacer la lampe, consultez la section Entretien.

## Entretien

Le Hazelock Cyprio EasyClear™ a été conçu pour permettre un entretien rapide et facile. Comme pour tous les équipements de bassin, il devient parfois

nécessaire d'en nettoyer ou d'en remplacer des pièces.

**AVERTISSEMENT** : Débranchez cet appareil et référez-vous à la section Sécurité et raccordements électriques avant d'entreprendre tout entretien.

### Tête de fontaine (Fig 1-e)

Suivez la procédure ci-dessous en cas de blocage de la tête de fontaine :

- 1 - À l'aide d'une pièce de monnaie ou d'un objet similaire et par un mouvement de levier, dégagez la tête de la fontaine.
- 2 - Rincez dans de l'eau propre et réassemblez.

### Mousse

En cas de ralentissement du débit suivez la procédure ci-dessous :

- 1 - Ouvrez le couvercle de la mousse en appuyant sur les deux boutons (Fig 5-R) et soulevez le couvercle (Fig 6-S).
- 2 - Retirez la mousse (Fig 7-T). Note : si l'unité est sortie du bassin pendant plus de 20 minutes, l'action du filtre biologique risque de s'arrêter de fonctionner. Rincez abondamment dans l'eau du bassin (n'utilisez pas l'eau du robinet).
- 3 - Le couvercle de la mousse et la base doivent aussi être rincés dans l'eau du bassin (n'utilisez pas l'eau du robinet).
- 4 - Il peut être nécessaire de nettoyer le biomédia et les cailloux (Fig 7-U) si ceux-ci sont encrassés. Si nécessaire, le biomédia et les cailloux doivent être rincés dans l'eau du bassin uniquement.
- 5 - Réassemblez le filtre.

### Tube quartz

Suivez la procédure ci-dessous si l'eau de votre bassin reste verte :

- 1 - Retirez la vis de verrouillage à baïonnette (Fig 8-V), tournez et soulevez le tube à baïonnette (Fig 8-W).
- 2 - Nettoyez le tube quartz. Prenez des précautions supplémentaires lorsque vous manipulez le tube quartz. Dans les zones d'eau calcaire, le tube quartz peut être couvert de calcaire, ce qui réduit son efficacité. Nettoyez le tube avec un chiffon doux et un produit anticalcaire doux (tel que le vinaigre et l'eau), rincez à l'eau avant de remettre en place le tube.
- 3 - Réassemblez le tube à baïonnette et remettez en marche (Fig 8-X).

**Avvertissement ! Assurez-vous que le tube quartz n'est pas endommagé avant de le remonter.**

### Remplacement de la lampe

Suivez la procédure ci-dessous si la lampe doit être remplacée ou si elle ne s'allume pas :

Changez la lampe en début de saison. Même si la

lampe brille encore, elle ne donnera peut-être pas assez

de rayons UV utiles. La bonne performance de l'EasyClear™ est subordonnée à la force des rayons UV produits. Celle-ci va diminuer lentement à partir du jour où elle sera allumée. La lampe UVC a une vie utile de 12 mois. Vous devez la changer lorsque vous constatez une importante réduction de la clarté de l'eau. Assurez-vous que cela est bien dû à la fin de la vie utile de la lampe et non pas à un filtre mal entretenu ou à une gaine de quartz sale/couverte de calcaire. Dans ces deux cas, la transmission des rayons UV est très réduite dans l'eau.

- 1 - Retirez la vis de verrouillage à baïonnette (Fig 8-V), tournez et soulevez le tube à baïonnette (Fig 8-W).
- 2 - Dévissez le collier de serrage du tube quartz (Fig 9-Y-i). Tenez délicatement le tube de quartz (Fig 9-Y-ii), soulevez-le et enlevez-le avec ses joints toriques (Fig 9-Y-iii) et son collier de serrage.
- 3 - Enlevez l'ancienne lampe en la retirant doucement de son support (Fig 9-Z). Jetez la vieille lampe conformément aux réglementations locales et installez la nouvelle lampe.
- 4 - Glissez le tube quartz par-dessus la lampe. Assurez-vous que les deux joints toriques à la base du tube quartz sont propres et exempts de débris.
- 5 - Glissez le collier de serrage sur le tube quartz et vissez-le. Vous devez visser le collier de serrage jusqu'à ce qu'il touche le boîtier et que vous ne puissiez plus le visser.
- 6 - Réassemblez le tube à baïonnette et remettez en marche (Fig 8-X).

**Avvertissement !** Assurez-vous que le tube quartz est assemblé correctement de manière à ce qu'il soit complètement étanche.

Vérifiez l'état des deux joints toriques de l'assemblage du tube quartz (Fig 9-Y-iii). S'ils sont, si peu soit-il, endommagés, ou que vous ne pouvez pas être assuré de leur totale étanchéité, veuillez contacter le Service Client d'Hozelock.

### Filtre biologique

En temps normal, il n'est pas nécessaire de retirer le biomédia, le nettoyage pourrait tuer les colonies de bactéries qui rendent les débris toxiques inoffensifs. Toutefois, si le biomédia est très encrassé et qu'il faut le nettoyer, suivez la procédure ci-dessous.

- 1 - Retirez la mousse.
- 2 - Le sac de Kaldnes Biomedia (Fig 7-U) peut être retiré pour être nettoyé.
- 3 - Lavez dans l'eau du bassin.
- 4 - Réassemblez le filtre et remettez en marche.

### Nettoyage/remplacement du rotor

Si aucune eau n'est pompée ou si le débit est réduit,

enlevez le tube quartz et la lampe comme indiqué ci-dessus, puis suivez la procédure ci-dessous.

- 1 - Ouvrez le couvercle de la mousse en appuyant sur les deux boutons (Fig 5-R) et soulevez le couvercle (Fig 6-S).
- 2 - Retirez la mousse (Fig 7-T), le biomédia (Fig 7-U) et le sac de cailloux.
- 3 - Tournez l'unité à l'envers, retirez les 4 vis de fixation (Fig 10-AA) et dégagez la base.
- 4 - Retirez les 2 vis de fixation (Fig 10-BB) et dégagez l'assemblage de la pompe.
- 5 - Tournez la chambre de la pompe dans le sens inverse des aiguilles d'une montre (Fig 10-CC) et dégagez-la. Le rotor peut maintenant être tiré pour être nettoyé ou remplacé (Fig 10-DD).

**Important ! Prenez des précautions supplémentaires de manière à ne laisser tomber aucun des petits éléments.**

**Voir Fig EasyClear™ 10A pour l'assemblage des rotors de l'EasyClear™ 6000 et de l'EasyClear™ 7500 et Fig 10B pour l'assemblage du rotor de l'EasyClear 9000.**

- 6 - Réassemblez la pompe et les 2 vis de fixation (Fig 10-BB).
- 7 - Réacheminez le câble (Fig 10-EE).
- 8 - Réassemblez le filtre et remettez en marche.

## L'entretien de la pompe durant l'année

Une vérification rapide quotidienne doit être faite pour s'assurer que la pompe fonctionne correctement.

Une fois par semaine, retirez le boîtier extérieur et la tête de la fontaine en respectant les notes d'entretien général.

Selon les conditions de l'eau du bassin, le nettoyage peut être plus fréquent.

Une fois par an, démontez entièrement l'unité y compris l'assemblage du rotor comme décrit dans les notes d'entretien général.

Lavez toutes les pièces à l'eau propre et froide.

Remplacez les pièces usées ou cassées.

## Rangement hivernal

Lorsqu'elle n'est pas utilisée, l'unité doit être retirée du bassin, entièrement lavée, nettoyée et séchée, et rangée dans un endroit sec à l'abri du gel. Entreposez toujours l'unité après avoir retiré la mousse et le couvercle de mousse pour assurer une ventilation et un séchage adéquats.

## Contact / Pièces détachées

Pour des conseils et des pièces détachées, veuillez contacter le Service Client d'Hozelock Cyprio au 0121 313 1122 ou visiter le site [www.hozelock.com](http://www.hozelock.com)

## Niveau de stock et densité de poissons

Dans des conditions normales, l'EasyClear™ peut supporter un niveau de 1,44 m (EasyClear™ 6000 et EasyClear™ 7500) ou 2,16 m (EasyClear™ 9000) de poissons. Introduisez les poissons lentement au cours des premières semaines, jusqu'à 20 % du niveau maximum recommandé, augmentez à 50 % après six mois. La différence permettra aux poissons de se développer.

## La garantie Eau claire d'Hozelock Cyprio

**NOUS VOUS GARANTISSONS UNE EAU CLAIRE OU NOUS VOUS RENDONS VOTRE ARGENT.**

**NOTE : DANS CERTAINS CAS, IL FAUT PARFOIS JUSQU'À 6 À 8 SEMAINES POUR QUE L'EAU SOIT LIMPIDE.**

Cette garantie est de 12 mois à partir de la date de l'achat, à condition que :

- Vous ayez respecté les instructions d'installation et de fonctionnement.
- Vous ayez utilisé un équipement à la taille et avec le niveau de stock de poissons qui conviennent.
- Vous ayez consulté notre service d'assistance téléphonique (0121 313 1122) suffisamment à temps pour pouvoir résoudre les problèmes.
- Le produit soit retourné non endommagé.

Seule la société Hozelock Cyprio est habilitée à autoriser un remboursement, et celui-ci ne pourra être effectué que sur le lieu d'achat et à la valeur du prix d'achat de l'EasyClear™ uniquement. Une preuve d'achat devra être produite. Veuillez noter que la Garantie Eau claire couvre la perte de clarté de l'eau due aux algues causant l'eau verte, mais ne couvre pas la perte de clarté due aux algues filamenteuses.

## Garantie de produit de 3 ans

Si cette unité, à l'exclusion de l'assemblage du rotor, de la mousse du filtre et de la lampe UV devient inutilisable dans les trois ans à partir de la date de l'achat, elle sera réparée ou remplacée selon notre décision, sans frais, à moins qu'à notre avis, elle ait été endommagée ou mal utilisée. Aucune responsabilité n'est acceptée pour les dommages dus à un accident, une mauvaise installation ou une mauvaise utilisation. La responsabilité se limite au remplacement de l'unité défectueuse. Cette garantie est non cessible. Elle n'affecte pas vos droits légaux.

Pour obtenir les avantages de la garantie, veuillez en premier lieu contacter le Service Client d'Hozelock Cyprio qui pourra preuve d'achat directement à l'adresse fournie.

**LES DOMMAGES CAUSÉS PAR LE FONCTIONNEMENT DE L'EasyClear™ HORS DE L'EAU OU PAR LE GEL RENDENT LA GARANTIE NON VALIDE.**

## Dépistage des pannes

Veuillez lire les sections sur la sécurité dans ces instructions, avant de procéder à toute réparation sur l'EasyClear™ ! Il sera peut-être aussi nécessaire de se référer à la section Entretien dans ces instructions.

### FAIBLE DÉBIT DE LA POMPE

- a – Les mousses peuvent être bloquées et il est nécessaire de les nettoyer.
- b – Assurez-vous que la cage extérieure est propre.
- c – Dégagez tous les blocages et ajustez la commande de débit de l'eau.
- d – Vérifiez que le clapet blanc à l'intérieur de la pompe remue sans gêne.
- e – Assurez-vous que le rotor est propre et son mouvement n'est pas gêné.

### MAUVAIS JET D'EAU DE LA FONTAINE

- a – Comme ci-dessus.
- b – Nettoyez la tête de la fontaine.

### LA LAMPE UV NE FONCTIONNE PAS

- a – Vérifiez que l'alimentation secteur est allumée.
- b – Vérifiez le fusible, le dispositif de courant résiduel et le câblage électrique.
- c – Remplacez la lampe.
- d – La protection de surcharge fonctionne peut-être –

voir la section Protection de surcharge.

### LA POMPE NE FONCTIONNE PAS

- a – Vérifiez que l'alimentation secteur est allumée.
- b – Vérifiez le fusible, le dispositif de courant résiduel et le câblage électrique.
- c – Vérifiez que le rotor n'est pas bloqué.
- d – La protection de surcharge fonctionne peut-être – voir la section Protection de surcharge.
- e – Assurez-vous que la cage extérieure est propre.
- f – Vérifiez que l'eau ne pénètre pas dans la partie où se trouve la lampe.



Ne jetez pas les appareils électriques dans les déchets municipaux non triés, utilisez des installations de collecte séparées. Contactez votre collectivité locale pour davantage d'informations sur les possibilités de collecte disponibles. Si des appareils électriques sont jetés dans une décharge, des substances dangereuses peuvent se répandre dans le sol et terminer dans la chaîne alimentaire, ce qui est dangereux pour votre santé et votre bien-être. En Europe, lorsque vous remplacez les anciens appareils par de nouveaux, le distributeur est légalement obligé de reprendre votre ancien appareil à mettre au rebut, et ce gratuitement.

## Informations techniques

Numéro de pièce	1764	1766	1768
Modèle	6000	7500	9000
Volts	230 V 50 Hz	230V 50Hz	230V 50Hz
Puissance UVC (W)	9	11	13
Puissance totale (W)	40	43	55
Taille maximum du bassin sans poissons	6 000 l	7 500 l	9 000 l
Taille maximum du bassin avec poissons	4 000 l	5 000 l	6 000 l
Débit maximum, Qmax (l/h)	1 700 lph	1 700 lph	2 850 lph
Hauteur maximum de la tête, Hmax (m)	2 m	2 m	2,3 m
Classification IP	IPX8	IPX8	IPX8
Temperature maximum de l'eau, Tmax (°C)	35°C	35°C	35°C

\* Mesures obtenues dans des conditions spécifiques



Vielen Dank, dass Sie sich für ein Qualitätsprodukt von Hozelock entschieden haben, welches Ihnen für viele Jahre einen zuverlässigen Dienst erweisen wird.

## INSTALLATIONS- UND GEBRAUCHSANWEISUNGEN



LESEN SIE DIESE ANWEISUNGEN SORGFÄLTIG DURCH, BEVOR SIE MIT DER INSTALLATION BEGINNEN.

EINE NICHTBEACHTUNG DER FOLGENDEN HINWEISE KANN ZU VERLETZUNGEN, PRODUKTSCHÄDEN UND ZUM VERLUST VON FISCHEN FÜHREN.

BEWAHREN SIE DIESE GEBRAUCHSANLEITUNG ZUR SPÄTEREN BEZUGNAHME AUF.

Diese Hozelock Cyprio Easyclear™ Springbrunnen- und Wasserfallpumpe wurde für den Tauchsatz in Außenteichen konzipiert. Es handelt sich um ein integriertes Gerät, das mechanische und biologische Filtration mit einem UV-Reiniger für einen Springbrunnen und Wasserfall bietet.

### Vorsicht: UV-Strahlung

Dieses Gerät enthält einen UV-C-Strahler. Durch unbeabsichtigte Verwendung des Geräts oder eine Beschädigung des Gehäuses kann gefährliche UV-C-Strahlung austreten. UV-C-Strahlung kann auch in geringer Menge die Augen und die Haut schädigen. Die UV-Lampe ist mit einer Verriegelung ausgestattet, welche bei Demontage des Bajonetts die Lampe ausschaltet (Abb. 8-X).

In eingeschaltetem Zustand kann die Funktion der UV-Lampe im Dunkeln anhand des bläulichen Lichtscheins aus dem Springbrunnenauslass geprüft werden (Abb. 1-A). Lassen Sie das Gerät nicht trocken laufen.

**Achtung: Versuchen Sie nicht, den UV-C-Strahler anderweitig zu benutzen, wenn Sie ihn aus dem Gerätegehäuse genommen haben.**

**Achtung: Das Gerät muss vor dem Austausch des UV-C-Strahlers von der Stromversorgung getrennt werden.**

### Wichtig!

Dieses Gerät darf nur durch oder unter Aufsicht eines verantwortlichen Erwachsenen verwendet werden, welcher in der Lage ist, das Gerät sicher zu verwenden und der die damit verbundenen Gefahren versteht. Verwenden und lagern Sie dieses Gerät außerhalb der Reichweite von Kindern und Personen mit eingeschränkten physischen, sensorischen oder geistigen Fähigkeiten.

## Achtung: Sicherheit und elektrische Anschlüsse

**1.1 ACHTUNG: WÄHREND DER HANDHABUNG, INSTALLATION, REPARATUR ODER WARTUNG DER AUSRÜSTUNG MÜSSEN IMMER ALLE GERÄTE IM TEICH VON DER STROMVERSORGUNG GETRENNT SEIN, BEVOR SIE IHRE HÄNDE INS WASSER TAUCHEN.**

1.2 Dieser Teichfilter ist ausschließlich für den Gebrauch mit Gartenteichen vorgesehen. Benutzen Sie den Filter zu keinem sonstigen Zweck (d. h. er darf beispielsweise nicht für Swimmingpools verwendet werden). Wenn Sie das Produkt für andere Anwendungen gebrauchen, können dadurch Verletzungen und Produktschäden entstehen. Diese Pumpe darf nicht verwendet werden, wenn sich Personen im Wasser befinden.

1.3 Geräte, die offensichtlich beschädigt sind, dürfen nicht verwendet werden.

1.4 Die durchsichtige Röhre innerhalb des Geräts besteht aus Quarzglas, sodass bei der Installation und Wartung Vorsicht geboten ist. Wir empfehlen Ihnen, einen Augenschutz und geeignete Handschuhe zu tragen.

1.5 Entfernen Sie nicht die Pumpeneinheit aus ihrem Gehäuse und betreiben Sie sie nicht ohne Gehäuse. Die Verwendung der Einheit ohne Gehäuse kann zu einem Verlust Ihrer Garantieansprüche führen.

**1.6 Wichtig!**

Dieses Produkt wird mit 10 m 3-adrigem Elektrokabel geliefert. Da der mit diesem Produkt mitgelieferte Stecker nicht wasserdicht ist, muss sein Anschluss am Stromnetz gemäß Ihren lokalen Vorschriften innerhalb eines trockenen und wetterfesten Gehäuses erfolgen.

Permanente Installationen am Stromnetz (Festverdrahtungen) müssen die nationalen und regionalen Verdrahtungsvorschriften einhalten. Wenden Sie sich an einen qualifizierten Elektriker oder an die lokalen Stadtwerke, wenn Sie beim Anschluss ans Stromnetz Zweifel haben.

1.7 Wenn ein Verlängerungskabel erforderlich ist, muss dieses mit einem witterungsbeständigen Stecker an das Gerätekabel angeschlossen werden. Die Kupplung muss in einem geeigneten witterungsbeständigen Gehäuse untergebracht werden. Das Verlängerungskabel muss als 3-adriges Kabel mit je 0,75 mm<sup>2</sup> Querschnitt und Chloropren-Kautschuk-Isolierung (Ref. HOS RN-F) ausgeführt sein und wie in Punkt 1.6 beschrieben fest mit dem Stromnetz verdrahtet sein.

- 1.8 **ACHTUNG:** Dieses Gerät MUSS geerdet werden, und es ist überaus wichtig, die Anschlüsse gemäß folgender Legende zu machen:
- BRAUN: stromführend
  - BLAU: neutral
  - GELB-GRÜN: Masse
- 1.9 Freiliegende Kabelführungen sollten insbesondere dann vernünftig platziert und durch ein Panzerrohr geschützt werden, wenn die Gefahr besteht, dass die Führungen mit Gartengeräten wie Gabeln und Rasenmähern oder Kindern und Haustieren in Kontakt kommen können.
- 1.10 Das Gerät darf nicht verwendet werden, wenn das Netzkabel auf irgendeine Weise beschädigt wurde. Die Anschlussleitung ist fest mit der Pumpe verbunden und abgedichtet und kann nicht ersetzt werden. Wenn das Kabel beschädigt ist, muss das Gerät gemäß den örtlichen Bestimmungen entsorgt werden.
- 1.11 Am Stromnetz muss ein Fehlerstromschutzschalter (RCD; für maximal 30 mA) angeschlossen sein.
- 1.12 Permanente Installationen am Stromnetz (Festverdrahtungen) müssen die nationalen und regionalen Verdrahtungsregelungen einhalten. Wenden Sie sich an einen qualifizierten Elektriker oder an die lokalen Stadtwerke, wenn Sie beim Anschluss ans Stromnetz Zweifel haben.
- 1.13 Verwenden Sie das Netzkabel nicht, um das Gerät anzuheben, da dies zu Schäden führen kann. Wir empfehlen bei einer Montage des Filters in tiefem Wasser ein Hebeseil am Haken des Sockels anzubringen. (Abb. 1-F). Wenn das Gerät bewegt werden muss, sollte es ausgeschaltet und mit diesem Seil aus dem Wasser gehoben werden.
- 1.14 Schalten Sie die Pumpe nicht außerhalb des Wassers ein! Der Wasserstand sollte oberhalb der UV-C-Anzeige am Kugelgelenk (Abb. 4A-L) sein.
- 1.15 Das Gerät nicht bei Temperaturen unter 0 °C in Betrieb nehmen oder aufbewahren. (siehe Abschnitt „Aufbewahrung im Winter“).
- 1.16 Dieses Produkt eignet sich nicht für Wassertemperaturen von über 35°C oder unter 0°C.
- 1.17 Benutzen Sie ausschließlich Zubehörteile, die für den Gebrauch mit diesem Produkt ausgelegt sind. Die Verwendung anderer Zubehör- und Ersatzteile kann zum Verfall Ihrer Garantie führen.

## Überlastschutz

Um eine lange Lebensdauer Ihres EasyClear sicherzustellen, und Schäden zu verhindern, ist es mit einem automatischem thermischen Überlastschutz ausgestattet. Diese schaltet die Pumpe oder UV-Lampe aus, wenn eines dieser Bauteile überhitzt. In diesem Fall müssen Sie den Strom an der Netzversorgung des Geräts ausschalten. Wenn der Überlastschutz durch die Pumpe aktiviert wurde, nach der Ursache suchen (normalerweise blockieren Ablagerungen den Pumpenzulauf oder das Laufrad). Entfernen Sie das Hindernis und warten Sie 15 Minuten, bis das Gerät abgekühlt ist. Schalten Sie sie dann wieder ein.

Wenn der Überlastschutz durch die UV-Lampe aktiviert wurde (Pumpe läuft noch, aber die UV-Lampe geht nach kurzer Laufzeit aus), kontaktieren Sie bitte den Hozeck Kundendienst unter +44 (0) 121 313 1122.

Denken Sie an folgendes: Die UV-Lampe ist mit einer Verriegelung ausgestattet, welche bei Demontage des Bajonetts die Lampe ausschaltet (Abb. 8-X), daher können nur im Dunkeln mit verriegelter Bajonettleistung anhand des bläulichen Scheins aus dem Springbrunnenauslass (Abb. 1-A) sehen, ob die Lampe funktioniert.

**HINWEIS: SIE MÜSSEN ZUM ZURÜCKSETZEN DES GERÄTS DIE NETZVERSORGUNG AUSSCHALTEN.**

**VORSICHT:** Um eine Sicherheitsgefährdung durch ein unbeabsichtigtes Rücksetzen des thermischen Überlastschutzes zu vermeiden, darf das Produkt nicht mit einer externen Schaltvorrichtung verwendet werden, wie beispielsweise einer Schaltuhr, und es darf nicht an einem Kreis angeschlossen werden, der regelmäßig durch die Stromversorgung ein- und ausgeschaltet wird.

## Betriebszeiträume

Lassen Sie den Filter täglich 24 Stunden laufen. Idealerweise sollte er das ganze Jahr über oder zumindest während der Fütterungszeit laufen (d. h. bis die Wassertemperatur unter 10 °C fällt und die Fische nicht mehr fressen). Im Winter ist es sinnvoll, das Gerät laufen zu lassen, weil dadurch im Biofilter eine Grundmenge nützlicher Bakterien verbleibt und hilft ein Vereisen des Teichs zu verhindern. Allerdings muss verhindert werden, dass das Gerät einfriert. Wenn Sie das Gerät für den Winter ausschalten, müssen Sie es gründlich waschen, bevor Sie die Filtration im Frühjahr fortsetzen (siehe Abschnitt „Aufbewahrung im Winter“). Füttern Sie Ihre Fische nur, wenn das Gerät in Betrieb ist.

## Vor der ersten Verwendung

Unschlagmäßiger Umgang mit diesem Produkt während des Transports kann zu Schäden an der

Quarzglasröhre führen. Kontrollieren Sie bitte die Quarzglasröhre und Dichtung vor dem Einbau.

Siehe Abschnitt „Wartung“ für Details zum Zugriff auf die Quarzglasröhre und Lampe.

## Installation

**Position** – Schaffen Sie eine festen und ebene Plattform, auf der das EasyClear™ platziert wird. Die Plattform sollte mehr als 300 mm (12") unterhalb des Wasserspiegels liegen. Verwenden Sie für Tiefen zwischen 300 mm und 600 mm die Verlängerungselemente des Springbrunnenschafts (Abb. 1-K), die einfach zusammengeschraubt werden, damit der Springbrunnenaustritt über dem Wasserpegel ist. Für allgemeine Installationshinweise siehe Abb 4-. Bei Verwendung des EasyClear für einen Wasserfall muss das gesamte Gerät untergetaucht sein.

**Anschluss** – Stellen Sie das Gerät neben dem Teich verlegen Sie das Kabel zur Netzversorgung. Vergewissern Sie sich, dass das Kabel lang genug ist, um das Gerät an der gewünschten Stelle im Teich zu positionieren.

## Zubehörmontage

### Glocken-Springbrunnen (Abb. 1).

Setzen Sie den Glockenhalter (B) bis zum Anschlag in den Glockenhauptkörper (C) ein.

Positionieren Sie den Glockeneinsatz (D) im Hauptkörper und drücken Sie ihn in die zentrale Lage. Setzen Sie dies in den Springbrunnen-Durchflussregler (Abb. 1-H) ein.

### 2- oder 3-stufige Springbrunnengruppe (Abb. 1-G).

Die Kunststoffscheiben (Abb. 1-E), die das 2- oder 3-stufige Wasserspiel schaffen, werden einfach am Springbrunnenschaft eingerastet. Schieben Sie den Springbrunnenschaft in das Verlängerungselement des Springbrunnenschafts und schrauben Sie es auf den Springbrunnenauslass (Abb. 1-H).

## Ausschließlicher Springbrunnenbetrieb

**Bitte beachten Sie: Der Wasserfallauslass (Abb. 1-I) kann nicht vollständig geschlossen werden. Hierdurch kann das Wasser über den Bypass in den Teich laufen, auch wenn der Springbrunnenkopf verstopft ist, wodurch klares Wasser sichergestellt wird. Wenn das Teichwasser nicht ausreichend geklärt wird, kann es erforderlich sein, durch Öffnen des Wasserfallauslasses mehr Wasser in den Teich umzuleiten.**

Die 2- oder 3-stufigen Springbrunnenköpfe werden einfach auf dem Springbrunnenschaft eingerastet. Der Springbrunnenwinkel kann mit der Kugelgelenk vertikal eingestellt werden (Abb. 2-L). Die Festigkeit des Kugelgelenks kann auf Wunsch eingestellt werden (Abb. 2-M). Der 2-stufige Springbrunnenkopf kann

verwendet werden, um ein alternatives und höheres Wasserspiel als mit dem 3-stufigen Kopf zu erreichen.

Die Spritzhöhe des Springbrunnens kann durch Drehen des Springbrunnen-Durchflussreglers (Abb. 3B-N) nach Wunsch eingestellt werden. Drehen Sie den Wasserfall-Einsteller (Abb. 3A-O) auf das Minimum, um die maximale Spritzhöhe des Springbrunnens zu erhalten.

Die Glockendüse schafft eine dekorative „Wasserglocke“. Die Größe der Glocke kann durch Drehen des Springbrunnen-Durchflussreglers (Abb. 3B-N) nach Wunsch eingestellt werden.

Installieren und positionieren Sie die Pumpe wie zuvor beschrieben, und schalten Sie sie ein.

## Springbrunnen- und Wasserfallbetrieb

Schließen Sie einen 25 mm (1") Schlauch mit geeigneter Länge (max. 3 m) an den Wasserfall-Einsteller (Abb. 3A-Q) an, sichern Sie den Schlauch mit einer geeigneten Schlauchklemme und positionieren Sie das Austrittsende des Schlauches an der gewünschten Stelle.

Schrauben Sie den Wasserfall-Einsteller auf den Wasserfallauslass an der Vorderseite des EasyClear™ (Abb. 3A-Q).

Sobald die Pumpe läuft, können der Wasserfallstrom und die Spritzhöhe des Springbrunnens

unabhängig voneinander mit dem Springbrunnen-Durchflussregler (Abb. 3B-N) und dem Wasserfall-Einsteller (Abb. 3A-O) eingestellt werden.

Installieren und positionieren Sie die Pumpe wie zuvor beschrieben, und schalten Sie sie ein.

## Ausschließlicher Wasserfallbetrieb

### (Abb. 4 für allgemeine Installationsanleitung)

Schrauben Sie den Blindstopfen auf den Springbrunnenauslass (Abb. 3A-P).

Schließen Sie einen 25 mm (1") Schlauch mit geeigneter Länge (max. 3 m) an den Wasserfall-Einsteller (Abb. 3A-O) an, sichern Sie den Schlauch mit einer geeigneten Schlauchklemme und positionieren Sie das Austrittsende des Schlauches an der gewünschten Stelle.

Schrauben Sie den Wasserfall-Einsteller auf den Wasserfallauslass an der Vorderseite des EasyClear™ (Abb. 3A-Q).

Stellen Sie den Durchfluss mit dem Wasserfall-Einsteller (Abb. 3A-O) entsprechend Ihrer Bedürfnisse ein.

Installieren und positionieren Sie die Pumpe wie zuvor beschrieben, und schalten Sie sie ein.

## UV-C-Betrieb

Das UV-C-Licht schaltet sich automatisch ein, wenn

das Gerät an das Stromnetz angeschlossen wurde und das Bajonettrohr korrekt verriegelt ist.

Die Funktion der UV-C-Lampe kann anhand des bläulichen Lichtscheins aus der Kugelgelenköffnung geprüft werden (Abb. 1-A). Bitte beachten Sie, dass dies nur bei schlechten Lichtverhältnissen sichtbar sein kann.

Siehe Abschnitt **Wartung** für den Lampenwechsel.

## Wartung

Das Hozelock Cyprio Easyclear™ wurde in Hinblick auf eine schnelle und einfache Wartung entwickelt. Wie bei allem Teichzubehör, muss es gelegentlich gereinigt werden, oder es müssen Teile ausgetauscht werden.

**ACHTUNG:** Trennen Sie das Gerät von der Stromversorgung und lesen Sie den Abschnitt „Sicherheit und elektrische Anschlüsse“, bevor Sie mit Wartungsarbeiten beginnen.

### Springbrunnenkopf (Abb. 1-E)

Beachten Sie das folgende Verfahren, falls der Springbrunnenkopf blockiert ist:

- 1 – Stecken Sie eine Münze oder ähnliches in den Schlitz und hebeln Sie vorsichtig den Brunnenkopf ab.
- 2 – Spülen Sie den Kopf mit sauberem Wasser und montieren Sie ihn wieder.

### Schaumstoff

Beachten Sie das folgende Verfahren, falls ein reduzierter Durchfluss festgestellt wird:

- 1 – Lösen Sie die Schaumstoffabdeckung durch Drücken der beiden Tasten (Abb. 5-R) und heben Sie die Abdeckung (Abb. 6-S) ab.
- 2 – Entfernen Sie den Schaumstoff (Abb. 7-T). Hinweis: Wenn das Gerät für mehr als 20 Minuten aus dem Teich entnommen wird, kann die biologische Filterwirkung unterbrochen werden. Spülen Sie ihn gründlich mit Teichwasser (verwenden Sie kein Leitungswasser).
- 3 – Die Schaumstoffabdeckung und der Sockel sollten auch mit Teichwasser gespült werden (verwenden Sie kein Leitungswasser).
- 4 – Es kann auch notwendig sein, das Biomedium und die Steine (Abb. 7-U) zu reinigen, falls diese verstopft sind. Falls dies erforderlich ist, dürfen das Biomedium und die Steine nur mit Teichwasser gespült werden.
- 5 – Montieren Sie wieder den Filter.

### Quarzglasröhre

Beachten Sie das folgende Verfahren, falls Ihr Teich verstärkt grüne Algen bildet:

- 1 – Entfernen Sie die Bajonettverriegelungsschraube (Abb. 8-V), drehen und heben Sie das Bajonettrohr (Abb. 8-W) an.

- 2 – Reinigen der Quarzglasröhre. Behandeln Sie die Quarzglasröhre besonders vorsichtig. In Gegenden mit hartem Wasser kann sich Kalk auf der Quarzglasröhre ablagern, was deren Wirkungsgrad verringert. Reinigen Sie die Röhre mit einem weichen Tuch und einem sanften Entkalker (wie Essig mit Wasser). Spülen Sie die Röhre vor dem Wiedereinbau mit Wasser ab.
- 3 – Montieren Sie das Bajonettrohr mit der Schraube und nehmen Sie das Gerät wieder in Betrieb (Abb. 8-X).

**Achtung!** Vergewissern Sie sich vor der erneuten Montage, dass die Quarzglasröhre nicht beschädigt ist.

### Lampenwechsel

Beachten Sie das folgende Verfahren, falls die Lampe ersetzt werden muss, oder nicht leuchtet:

Wechseln Sie die Lampe zu Beginn der neuen Saison. Wechseln Sie sie, selbst wenn die Lampe noch leuchtet, da sie eventuell nicht genügend nützliche UV-Strahlung abgibt. Die Leistung des Easyclear™ hängt von der erzeugten UV-Strahlung ab. Diese Leistung nimmt langsam ab dem ersten Tag der Lampenverwendung ab. Die UV-C-Lampe besitzt eine effektive Lebensdauer von 12 Monaten. Sie müssen die Lampe wechseln, wenn es zu einer deutlichen Wassertrübung kommt. Vergewissern Sie sich, dass diese Trübung auf eine verschlissene Lampe und nicht auf einen schlecht gewarteten Filter oder eine schmutzige/verkalkte Quarzhülse zurückzuführen ist. Beide Fehler können die UV-Strahlung ins Wasser stark verringern.

- 1 – Entfernen Sie die Bajonettverriegelungsschraube (Abb. 8-V), drehen und heben Sie das Bajonettrohr (Abb. 8-W) an.
- 2 – Lösen Sie den Sicherungskragen der Quarzglasröhre (Abb. 9-Y-i). Halten Sie vorsichtig die Quarzglasröhre (Abb. 9-Y-ii), ziehen Sie sie nach oben und entfernen Sie sie zusammen mit ihren O-Ringen (Abb. 9-Y-iii) und dem Sicherungskragen.
- 3 – Entfernen Sie die alte Lampe, indem Sie sie vorsichtig aus ihrem Sockel (Abb. 9-Z) ziehen. Entsorgen Sie die alte Lampe gemäß den örtlichen Bestimmungen und setzen Sie die neue Lampe ein.
- 4 – Schieben Sie die Quarzglasröhre nach unten und über die Lampe. Achten Sie darauf, dass die zwei O-Ringe am Fuß der Röhre sauber und frei von Ablagerungen sind.
- 5 – Schieben Sie den Sicherungskragen nach unten und über die Quarzglasröhre und schrauben Sie ihn fest. Schrauben Sie den Sicherungskragen so weit nach unten, bis der Anschlag des Kragens den Anschlag des Gehäuses berührt, sodass der

Kragen nicht weiter fest geschraubt werden kann.

- 6 – Montieren Sie das Bajonettrohr mit der Schraube und nehmen Sie das Gerät wieder in Betrieb (Abb. 8-X).

**Achtung!** Vergewissern Sie sich, dass die Quarzglasröhre korrekt montiert ist, damit sie eine vollständig wasserdichte Abdichtung gewährleistet.

Prüfen Sie den Zustand der beiden O-Ringe der Quarzglasröhre (Abb. 9-Y-iii). Wenden Sie sich, falls diese beschädigt sind, oder Sie keine wasserdichte Abdichtung herstellen können, an den Hozelock Kundendienst.

#### Biologischer Filter

Normalerweise muss das Biomedium nicht entfernt werden, da die Reinigung die Bakterienkolonien, die giftige Abfälle unschädlich machen, abtöten können. Gehen Sie wie folgt vor, falls das Biomedium jedoch stark verstopft ist, und eine Reinigung erfordert.

- 1 – Entfernen Sie den Schaumstoff.
- 2 – Der Beutel Kaldnes Biomedium (Abb. 7-P) kann dann zur Reinigung entfernt werden.
- 3 – In Teichwasser waschen.
- 4 – Montieren Sie wieder den Filter und nehmen Sie das Gerät wieder in Betrieb.

#### Lauftradreinigung/-austausch

Bauen Sie, wenn kein Wasser gepumpt wird oder der Durchfluss reduziert ist, die Quarzglasröhre und Lampe wie oben beschrieben aus und befolgen Sie den nachstehenden Arbeitsablauf.

- 1 – Lösen Sie die Schaumstoffabdeckung durch Drücken der beiden Tasten (Abb. 5-R) und heben Sie die Abdeckung (Abb. 6-S) ab.
- 2 – Entfernen Sie den Schaumstoff (Abb. 7-T), das Biomedium (Abb. 7-U) und den Steinbeutel.
- 3 – Drehen Sie das Gerät um, entfernen Sie die 4 Befestigungsschrauben (Abb. 10-AA) und heben Sie den Sockel ab.
- 4 – Entfernen Sie die 2 Befestigungsschrauben (Abb. 10-BB) und heben Sie die Pumpeneinheit ab.
- 5 – Drehen Sie die Pumpenkammer gegen den Uhrzeigersinn (Abb. 10-CC) und heben Sie sie ab. Das Lauftrad kann nun zur Reinigung oder Austausch herausgezogen werden (Abb. 10-DD).

**Wichtig! Achten Sie darauf, keine der kleinen Bauteile fallen zu lassen.**

**Siehe EasyClear™ Abb. 10-A für die Montage der EasyClear™ 6000 und Easyclear™ 7500 Laufträder und Abb. 10-B für die Montage des EasyClear 9000 Lauftrads.**

- 6 – Montieren Sie die Pumpe mit 2 der Befestigungsschrauben (Abb. 10-BB).
- 7 – Verlegen Sie das Kabel (Abb. 10-EE).

- 8 – Montieren Sie wieder den Filter und nehmen Sie das Gerät wieder in Betrieb.

## Ganzjährliche Pumpenpflege

Eine schnelle tägliche Kontrolle sollte durchgeführt werden, um sicherzustellen, dass die Pumpe einwandfrei läuft.

Wöchentlich – Entfernen Sie das Außengehäuse und den Springbrunnenkopf entsprechend der allgemeinen Wartungshinweise.

Je nach Zustand des Teichwassers kann die Reinigung häufiger erforderlich sein.

Jährlich – Zerlegen Sie das Gerät vollständig, einschließlich der Laufradeinheit, wie in den allgemeinen Wartungshinweisen beschrieben und waschen Sie alle Bauteile in sauberem Leitungswasser.

Ersetzen Sie verschlissene oder beschädigte Teile.

## Aufbewahrung im Winter

Wenn es nicht verwendet wird, sollte das Gerät aus dem Teich entfernt, gründlich gewaschen und gereinigt, getrocknet und an einem trockenen, frostgeschützten Ort aufbewahrt werden. Lagern Sie das Gerät immer mit ausgebautem Schaumstoff und Schaumstoffabdeckung, um eine gute Durchlüftung und Trocknung zu gewährleisten.

## Kontakt/Ersatzteile

Bitte setzen Sie sich für Ersatzteile und Produktberatung mit Hozelock Cyprios Kundendienst in Verbindung (0121 313 1122), oder besuchen Sie uns einfach auf [www.hozelock.com](http://www.hozelock.com).

## Fischbestand und Dichte

Unter normalen Bedingungen eignet sich das EasyClear™ für bis zu 1,44 m Fische (EasyClear™ 6000 und EasyClear™ 7500) oder bis zu 2,16 m Fische (EasyClear™ 9000). Setzen Sie Ihre Fische in den ersten paar Wochen langsam ein, bis Sie maximal 20 % der empfohlenen Höchstmenge erreicht haben, die Sie nach sechs Monaten auf bis zu 50 % erhöhen können. Das Gleichgewicht erlaubt ein Wachstum der Fische.

## Hozelock Cyprio „Klarwasser-Garantie“

**WIR GARANTIEREN IHNEN KLARES WASSER ODER IHR GELD ZURÜCK.**

**HINWEIS: IN EINIGEN FÄLLEN KANN ES BIS ZU 6-8 WOCHEN DAUERN, BIS IHR WASSER KLAR WIRD.**

Diese Garantie gilt unter folgenden Voraussetzungen für 12 Monate nach Ihrem Kauf:

- Sie haben die Installations- und Betriebsanweisungen befolgt.
- Sie verwenden Ausrüstung mit korrekter Dimensionierung und korrektem Füllstand.

- Bei jedem zu behebenden Problem wenden Sie sich früh genug an unsere Informations- und Beratungsstelle (0121 313 1122).

- Sie haben das Gerät unbeschädigt zurückgegeben.

Die Bewilligung einer Rückerstattung ist ausschließlich HozeLOCK CyprIO vorbehalten. Eine mögliche Rückerstattung erhalten Sie nur am Kaufort, in Höhe des Kaufpreises des EasyClear™. Ein Kaufbeleg ist erforderlich. Bitte beachten Sie, dass unsere Klarwasser-Garantie keinen Verlust der Wasserklarheit deckt, wenn Fadenalgen und nicht Grünalgen die Ursache darstellen.

## 3 Jahre Produktgarantie

Wenn dieses Gerät, ausschließlich Laufradeinheit, Filterschaumstoff und UV-Lampe innerhalb von 3 Jahren nach dem Kaufdatum nicht mehr gewartet werden kann, werden wir es unter der Bedingung kostenlos reparieren oder austauschen, dass es unserer Meinung nach nicht beschädigt oder falsch verwendet wurde. Für Schäden auf Grund eines Stör-/Unfalls oder einer unsachgemäßen Installation/Verwendung kann HozeLOCK CyprIO nicht haftbar gemacht werden.

Die Haftung beschränkt sich auf den Ersatz des fehlerhaften Geräts. Diese Garantie ist nicht übertragbar. Sie hat keine Auswirkungen auf Ihre gesetzlichen Rechte.

Um die Vorteile der Garantie zu nutzen, müssen Sie zunächst den HozeLOCK CyprIO Kundendienst kontaktieren, der Sie auffordern kann, den Filter zusammen mit dem Kaufbeleg direkt an die angegebene Adresse zu schicken.

**SCHÄDEN DURCH BETRIEB DES EasyClear™ AUSSERHALB DES WASSERS ODER DURCH FROST FÜHREN ZUM GARANTIEVERLUST.**

## Fehlersuche

Lesen Sie die Sicherheitsabschnitte dieser Anleitung durch, bevor Sie versuchen Störungen am Easyclear™ zu beseitigen! Es kann auch notwendig sein, den Wartungsabschnitt dieser Anleitung zu lesen.

### NIEDRIGER PUMPENDURCHFLUSS

- a - Die Schaumstoffteile können verstopft sein und eine Reinigung erfordern.
- b - Vergewissern Sie sich, dass der äußere Käfig sauber ist.
- c - Beseitigen Sie alle Verstopfungen und stellen Sie die Durchflussregelung ein.
- d - Überprüfen Sie die Beweglichkeit der weißen Klappe in der Pumpenkammer.
- e - Vergewissern Sie sich, dass das Laufrad sauber ist und sich frei dreht.

### SCHLECHTES SPRITZBILD

- a - Wie vorstehend.

- b - Reinigen Sie den Springbrunnenkopf.

### UV-LAMPE FUNKTIONIERT NICHT

- a - Vergewissern Sie sich, dass die Stromversorgung eingeschaltet ist.
- b - Prüfen Sie die Sicherung, den Schutzschalter und die Verkabelung.
- c - Ersetzen Sie die Lampe.
- d - Der Überlastschutz kann ausgelöst haben – siehe Abschnitt Überlastschutz.

### PUMPE LÄUFT NICHT

- a - Vergewissern Sie sich, dass die Stromversorgung eingeschaltet ist.
- b - Prüfen Sie die Sicherung, den Schutzschalter und die Verkabelung.
- c - Prüfen Sie, dass das Laufrad nicht blockiert ist.
- d - Der Überlastschutz kann ausgelöst haben – siehe Abschnitt Überlastschutz.
- e - Vergewissern Sie sich, dass der äußere Käfig sauber ist.
- f - Prüfen Sie auf Wassereintritt im Lampenbereich.



Entsorgen Sie alte Elektrogeräte nicht als unsortierten Hausmüll, sondern nutzen Sie dafür gesonderte Sammelstellen. Wenden Sie sich an Ihre örtliche Behörde für Informationen über die verfügbaren Sammelanlagen/-systeme. Wenn alte Elektrogeräte auf eine Müllkippe oder in eine Grube geworfen werden, können gefährliche Substanzen austreten, die dann ins Grundwasser und in die Nahrungskette gelangen, was unsere Gesundheit und unser Wohlbefinden beeinträchtigen würde. Wenn Sie in der EU ein altes Elektrogerät gegen ein neues austauschen, ist der Einzelhändler gesetzlich dazu verpflichtet, Ihr Altgerät kostenlos zur Entsorgung zurückzunehmen.



## Technische Informatie

Teilenummer	1764	1766	1768
Modell	6000	7500	9000
Volt	230V 50Hz	230V 50Hz	230V 50Hz
Leistung der UV-C-Lampe (W)	9	11	13
Gesamtleistung (W)	40	43	55
Maximale Teichgröße ohne Fische	6000 ltr (1319 gal)	7500 ltr (1648 gal)	9000ltr (1978 gal)
Maximale Teichgröße mit Fischen	4000 ltr (879 gal)	5000 ltr (1099 gal)	6000 ltr (1319 gal)
Max. Durchfluss, QMax (l/h)	1700 lph (374 gph)	1700 lph (374 gph)	2850 lph (627 gph)
Max. Förderhöhe, Hmax, (m)	2m	2m	2.3m
Schutzart	IPX8	IPX8	IPX8
Max. Wassertemperatur Tmax, (°C)	35°C	35°C	35°C

\* Gemessen unter kontrollierten Bedingungen

### NL

Hartelijk dank voor het kiezen van een Hozelock kwaliteitsproduct. U bent nu verzekerd van een jarenlang betrouwbaar gebruik van dit product.

### INSTALLATIE- EN GEBRUIKERSHANDLEIDING



**LEES ZORGVULDIG DEZE INSTRUCTIES  
VOORDAT U BEGINT MET DE  
INSTALLATIE.**

**HET NIET OPVOLGEN VAN DE INSTRUCTIES KAN  
LEIDEN TOT LETSEL, BESCHADIGING VAN HET  
APPARAAT OF STERVEN VAN VISSSEN.**

**BEWAAR DEZE HANDLEIDING VOOR TOEKOMSTIG  
GEBRUIK.**

De Hozelock Cyprio EasyClear™ Fontein- en watervalpomp die ontworpen is voor onderwatergebruik in buitenvijvers. Het is een geïntegreerde unit dat mechanische & biologische filtratie levert met een UVC-lamp en een fontein en waterval.

### Let op: UV-waarschuwing

Dit apparaat bevat een UV-C-uitstoter. Onbedoeld gebruik van het apparaat of schade aan de behuizing kan leiden tot het vrijkomen van gevaarlijke UV-C-straling. UV-C-straling kan, zelfs in kleine doses, leiden tot verwondingen aan ogen en huid. De lamp is voorzien van een contactschakelaar die de lamp uitschakelt als de bajonet wordt verwijderd (afb. 8-X).

Als de lamp brandt, kan deze voor gebruik worden gecontroleerd door te kijken of er een blauwachtige gloed op de fonteinuitloop valt (afb.1-A). Laat het apparaat nooit droog lopen.

**Waarschuwing: Probeer niet de UV-C-uitstoter te bedienen als deze is verwijderd uit de apparaatbehuizing.**

**Waarschuwing: Het apparaat moet van de**

**stroomvoorziening worden losgekoppeld voordat de UV-C-uitstoter wordt vervangen.**

### Belangrijk

Dit apparaat mag uitsluitend worden gebruikt door of onder toezicht van een volwassene die in staat is het apparaat op een veilige wijze te gebruiken en de mogelijke gevaren begrijpt. Dit apparaat moet buiten bereik van kinderen en personen met een verminderde fysieke, motorische en mentale bekwaamheden worden gebruikt en opgeslagen.

### Waarschuwing: Veiligheid & Elektrische aansluitingen

- 1.1 WAARSCHUWING: KOPPEL ALLE APPARATEN IN DE VIJVER LOS VAN HET ELEKTRICITEITSNET WANNEER U UW HANDEN IN HET WATER STEEKT OM APPARATUUR TE INSTALLEREN, REPAREREN, ONDERHOUDEN OF TE BEHANDELEN.**
- 1.2 Dit filter is uitsluitend ontworpen voor gebruik in tuinvijvers. Gebruik dit filter niet voor andere toepassingen (zoals bijvoorbeeld een zwembad). Gebruik van het apparaat voor andere toepassingen kan leiden tot letsel of schade aan het apparaat. Deze pomp mag niet worden gebruikt als mensen in het water zijn.
- 1.3 Apparaten die duidelijk zijn beschadigd mogen niet worden gebruikt.
- 1.4 De doorzichtige buis in het apparaat is gemaakt van kwartsglas en moet met zorg worden behandeld tijdens installatie en onderhoud. Wij adviseren u oogbescherming en beschermende handschoenen te gebruiken.
- 1.5 De pomp unit mag niet uit de behuizing worden verwijderd of vervolgens worden bediend. Als de unit wordt gebruikt zonder behuizing, zal de garantie vervallen.
- 1.6 **Belangrijk:**

Dit apparaat wordt geleverd met 10 meter drieaderige elektriciteitskabel. De stekker die bij het apparaat wordt geleverd is niet waterbestendig en moet worden aangesloten op het lichtnet in een droge, weerbestendige behuizing overeenkomstig lokale regelgeving.

Permanente aansluiting op de stroomvoorziening (vaste bekabeling) moet in overeenstemming met de nationale en lokale regelgeving zijn. In geval van twijfel over de aansluiting op het lichtnet moet u een bevoegd elektricien of de betreffende lokale instanties raadplegen.

- 1.7 Als er een verlengsnoer nodig is, moet deze worden aangesloten op het einde van de unit-kabel met gebruik van een waterbestendige connector. De verbinding moet in een geschikte waterbestendige behuizing worden geplaatst. Het verlengsnoer moet een drieaderige geïsoleerde kabel van polychloropeenrubber zijn met een kern van minimaal 0,75mm<sup>2</sup> (ref: H05 RN-F) en permanent bekabeld naar de stroomvoorziening zoals hierboven in 1.6 beschreven.

- 1.8 **WAARSCHUWING:** Het apparaat MOET worden geaard. Het is hierbij van belang dat de aansluitingen overeenkomstig de navolgende codering gemaakt worden:

- BRUIN - spanning
- BLAUW - neutraal
- GROEN/GEEL - aarde

- 1.9 Stukken blootliggende kabel moeten met zorg worden geplaatst. Ze moeten zonodig worden beschermd met een elektriciteitsbuis, vooral als er kans is dat ze in contact komen met tuingereedschap, zoals een vork of een gasmaaimachine, of kinderen en huisdieren.
- 1.10 Gebruik het apparaat niet als het netsnoer is beschadigd. Het netsnoer is permanent aangesloten en geseald op de pomp en kan niet worden vervangen. Als het netsnoer is beschadigd, moet de elektrische behuizing worden weggegooid overeenkomstig lokale regelgeving.
- 1.11 Een aardlekschakelaar van maximaal 30 mA MOET op de stroomtoevoer worden aangesloten.
- 1.12 Permanente aansluiting op het lichtnet (vaste bekabeling) moet in overeenstemming met de nationale en lokale regelgeving zijn. In geval van twijfel over de aansluiting op het lichtnet moet u een bevoegd elektricien of de betreffende lokale instanties raadplegen.
- 1.13 Gebruik het netsnoer niet om de unit te tillen. Hierdoor kan schade ontstaan. Wij adviseren

om een hefkabel te bevestigen aan de hiervoor op de basis aangebrachte haak, als het filter in diep water is geïnstalleerd. (Afb 1-F). Als het filter moet worden verplaatst, moet het product worden uitgeschakeld en uit het water worden getild met behulp van deze kabel.

- 1.14 Schakel de pomp uitsluitend uit als deze zich onder water bevindt! Het waterpeil moet boven de UVC-indicator zijn op de kogelkop (afb 4A-L).
- 1.15 Bedien en gebruik de unit niet bij vorst. (Zie het gedeelte "Gebruik in de winter".)
- 1.16 Dit apparaat is niet geschikt voor watertemperaturen hoger dan 35°C of lager dan 0°C.
- 1.17 Gebruik uitsluitend accessoires die zijn ontworpen om met dit apparaat te gebruiken. Het gebruik van andere accessoires of onderdelen kan uw recht op garantie beïnvloeden.

## Beveiliging tegen overbelasting

Om er voor te zorgen dat uw EasyClear een lange levensduur behoudt en ter bescherming tegen schade, is het apparaat voorzien van een automatische thermische beveiliging tegen overbelasting. Dit schakelt de pomp of UV-lamp uit als deze oververhit raakt. Als dit gebeurt, schakelt u de voeding op de stroomvoorziening naar de unit uit. Als de pomp de beveiliging tegen overbelasting activeert, zoekt u de oorzaak (dit is meestal vuil dat de inlaatopening van de pomp of de waaier blokkeert). Verwijder het vuil en wacht 15 minuten om het apparaat te laten afkoelen. Schakel deze vervolgens weer opnieuw in.

Als het de UV-lamp betreft die de beveiliging tegen overbelasting activeert (pomp draait nog steeds maar de UV-lamp blijft uitgaan na enige tijd te hebben gebrand), dient u telefonisch contact op te nemen met de klantenservice van Hozelock, Hozelock Consumer Services op telefoonnummer +44 (0)121 313 1122.

Let op: De lamp is gemonteerd met een contactschakelaar die de lamp zal uitschakelen zodra de bajonet wordt verwijderd (afb. 8-X). U kunt dus uitsluitend zien of de lamp functioneert in donkere omstandigheden als u zoekt naar een blauwachtige gloed van de fonteinuitloop (afb. 1-A) waarbij de bajonetbuis in positie is vergrendeld.

**OPMERKING: U MOET DE STROOMVOORZIENING UITSCHAKELEN VOORDAT DE UNIT KAN WORDEN GERESET.**

**VOORZICHTIG:** Om enige gevaar door onvoorzien resetten van de thermische beveiliging tegen overbelasting te vermijden, mag dit product niet worden gebruikt met een extern schakelapparaat, zoals een timer of worden aangesloten op een circuit dat regelmatig wordt in- en uitgeschakeld door de elektriciteitstoevoer."

## Bedrijfsperiodes

Houd het filter 24 uur per dag in werking. Bij voorkeur blijft het filter het hele jaar door in gebruik, maar op zijn minst tijdens het voerseizoen (d.w.z. tot de temperatuur van het water tot beneden 10 °C daalt en de vissen niet meer worden gevoerd). Als de pomp met het biologische filter in de winter wordt gebruikt, worden daardoor de nuttige bacteriën in zekere mate in stand gehouden, waardoor de vijver minder snel bevroert. De unit mag echter niet bevroren. Als u de pomp in de winter uitzet, moet u het filter grondig schoonspelen voordat u de pomp in de lente weer aanzet (zie "Opslag in de winter"). Voer uw vissen nooit als de unit uitstaat.

## Vóór ingebruikname

Onjuist gebruik van dit product tijdens het transport kan leiden tot schade aan de kwartsbuis. Controleer de kwartsbuis en seal deze voor installatie.

Controleer het gedeelte "Onderhoud" voor gegevens over de toegang tot de kwartsbuis en de lamp.

## Installatie

**Positie** - Creëer een stevige en vlak platform waarop u de EasyClear™ kunt plaatsen. Het platform moet groter zijn dan 300 mm onder waterpeil. Voor dieptes tussen 300 mm en 600 mm gebruikt u de fontein- stang verlengsegmenten (afb. 1-K), die simpelweg samen worden geschroefd, om de fontein boven het waterpeil uit te laten steken. Voor algemene installatie, zie afb. 4-. Bij het gebruik van de EasyClear als waterval moet de gehele unit worden ondergedompeld.

**Aansluiting** - Plaats de unit naast de vijver en breng de kabel terug naar de stroomvoorziening. Let op dat u voldoende kabel beschikbaar hebt voor het positioneren van het product op de gewenste locatie in de vijver.

## Accessoire assemblage

### Waterbel fontein (afb. 1).

Zoek de waterbelondersteuning (B) op de waterbelbehuizing (C) en druk deze volledig in.

Positioneer de waterbel (D) op de behuizing en druk deze in het centrale punt. Plaats dit in de fontein stroomafstelling (afb. 1-H).

### 2- en 3-laags fontein display-assemblage (afb. 1-G).

De kunststofschijven (afb. 1-E) die de 2- en 3-laags waterdisplays creëren, klikken eenvoudig in de fontein stang. Duw de fontein stang in het verlengstuk van de fontein stang en schroef deze op de fontein stroomafstelling (afb. 1-H).

## Bediening Alleen fontein

**Let op: Het is niet mogelijk om de watervaluitloop volledig af te sluiten (afb.1-I). Dit komt omdat het wateraltijd in de vijver terecht moet komen, ook als de fontein kop worden geblokkeerd om zo helder water te kunnen waarborgen. Als het vijverwater niet voldoende helder wordt, kan het noodzakelijk zijn om meer water in de vijver te laten afvoeren door de watervaluitloop te openen.**

De 2- en 3-laags fontein koppen klikken eenvoudig in de fontein stang. De fonteinhoek kan verticaal worden afgesteld met gebruik van de kogelkop (afb. 2-L). De strakheid van de kogelkop kan worden afgesteld (afb. 2-M). Indien nodig, kan de 2-laags fontein kop worden gebruikt om een alternatief en hoger display patroon te verkrijgen dan de 3-laags.

De fontein hoogte kan naar wens worden afgesteld door de fontein stroomafstelling te draaien (afb. 3B-N). Draai de watervalafstelling (afb. 3A-O) dicht, om de maximale fontein hoogte te verkrijgen.

De waterbel fontein geeft een decoratieve "waterbel" De grootte van de bel kan naar wens worden afgesteld door de fontein stroomregelaar te draaien (afb. 3B-N).

Installeer en positioneer de pomp zoals beschreven en schakel deze in.

## Bediening van de fontein en waterval

Sluit een geschikte slang (max. 3 meter) van 25 mm aan op het slanguiteinde van de watervalregelaar (afb. 3A-Q) en beveilig deze met een geschikte slangklem en positioneer het uiteinde van de slang in de gewenste positie.

Schroef de watervalregelaar op de watervaluitloop aan de voorzijde van de EasyClear™ (afb. 3A-Q).

Zodra de pomp in werking wordt gezet, kan de stroom van de waterval en de hoogte van de fontein onafhankelijk worden afgesteld met behulp van de fonteinregelaar (afb. 3B-N) en watervalregelaar (afb. 3A-O).

Installeer en positioneer de pomp zoals beschreven en schakel deze in.

## Bediening van alleen de waterval

### (Afb. 4 voor algemene installatieleidraad)

Schroef de afdichtplug op de fonteinuitloop (afb. 3A-P).

Sluit een geschikte slang (max. 3 meter) van 25 mm aan op het slanguiteinde van de watervalregelaar (afb. 3A-O) en beveilig deze met een geschikte slangklem en positioneer het uiteinde van de slang in de gewenste positie.

Schroef de watervalregelaar op de watervaluitloop aan de voorzijde van de EasyClear™ (afb. 3A-Q).

Pas de stroom naar wens aan met behulp van de watervalregelaar (afb. 3A-O).

## UVC-bediening

De UVC wordt automatisch ingeschakeld zodra de unit wordt aangesloten op de stroomvoorziening, mits de bajonetslang juist is bevestigd.

De UVC-lamp kan worden gecontroleerd op werking door te kijken of een blauwachtige gloed op de kogelkopuitloop valt (afb. 1-A). Let op dat dit uitsluitend zichtbaar is bij situaties met weinig licht.

Raadpleeg het gedeelte Onderhoud voor het vervangen van de lamp.

## Onderhoud

De Hozelock Cyprio EasyClear™ is ontworpen voor snel en eenvoudig onderhoud. Net als alle vijverapparatuur, is het af en toe noodzakelijk om de onderdelen te reinigen of te vervangen.

**WAARSCHUWING:** Koppel het product los van de stroomvoorziening en raadpleeg het gedeelte "Veiligheid & elektrische componenten" voordat u enig onderhoud gaat uitvoeren.

### Fonteinkop (afb. 1-E)

Volg de onderstaande procedure als de fonteinkop wordt geblokkeerd:

- 1 - Plaats een muntje of soortgelijk in de sleuf en til voorzichtig de fonteinkop omhoog.
- 2 - Spoel grondig schoon met water en plaats de kop terug.

### Schuim

Volg de onderstaande procedure als de stroming verminderd:

- 1 - Ontgrendel de schuimkap door de twee knoppen (Afb. 5-R) in te drukken en de kap op te tillen (Afb. 6-S).
- 2 - Verwijder het schuim (afb. 7-T). Let op:- Als de unit zich langer dan 20 minuten buiten de vijver bevindt, kan het biologische filter stoppen met werken. Spoel grondig het vijverwater (gebruik geen leidingwater).
- 3 - De schuimkap en basis moet in het vijverwater worden gespoeld (gebruik geen leidingwater).
- 4 - Het is wellicht noodzakelijk om de biomedica en stenen te reinigen (Afb. 7-U) als deze verstopt raken. Als het noodzakelijk is, mag de biomedica en stenen uitsluitend worden gereinigd in het vijverwater.
- 5 - Monteer het filter.

### Kwartsbuis

Volg de onderstaande procedure als uw vijver groen blijft:

- 1 - Verwijder de bajonet borgschroef (Afb. 8-V), draai

en til de bajonetbuis (Afb. 8-R) op.

- 2 - Reinig de kwartsbuis. Wees voorzichtig bij het behandelen van de kwartsbuis. In omgevingen met hard water, kan de kwartsbuis bedekt raken met kalkaanslag waarde de efficiëntie zal worden verminderd. Reinig de buis met een zachte doek en een zachte ontkalker (zoals azijn en water), speel af met water voordat u de buis terugplaatst.
- 3 - Monteer de bajonetslang en schroef deze vast en start de unit opnieuw (afb. 8-X).

**Waarschuwing!** Controleer of de kwartsbuis niet is beschadigd voordat u deze terugplaatst.

### Het vervangen van de lamp

Volg de onderstaande procedure als de lamp moet worden vervangen of als deze niet brandt:

Vervang de lamp bij aanvang van het nieuwe seizoen. Ook als de lamp nog steeds brandt, kan deze wellicht geen goede UV-straling meer afgeven. Hoe goed de EasyClear™ functioneert, is gerelateerd aan de kracht van de gegenereerde UV-straling. Dit zal langzaam minder worden vanaf het moment dat de lamp wordt ingeschakeld. De UVC-lamp heeft een effectieve levensduur van 12 maanden. U moet de lamp vervangen als er een aanzienlijke vermindering in de helderheid van het water optreedt. Controleer of dit komt door een lamp die niet meer functioneert en niet door een slecht onderhouden filter of een vuil kwartsbuis of eventuele kalkaanslag. Beide kunnen de UV-overdracht in het water aanzienlijk verminderen.

- 1 - Verwijder de bajonet borgschroef (Afb. 8-V), draai en til de bajonetbuis (Afb. 8-W) op.
- 2 - Schroef de vergrendelkraag van de kwartsbuis los (afb. 9-Y-i). Houd de kwartsbuis voorzichtig vast (Afb. 9-Y-ii), til het omhoog en verwijder de buis samen met de o-ringen (Afb. 9-Y-iii) en de vergrendelkraag.
- 3 - Verwijder de oude lamp door deze voorzichtig uit de houder te trekken (Afb. 9-Z). Gooi de oude lamp weg overeenkomstig lokale regelgeving en plaats de nieuwe lamp.
- 4 - Schuif de kwartsbuis over de lamp naar beneden. Controleer of de twee o-ringen onderaan de kwartsbuis schoon zijn en of er geen afval aan zit.
- 5 - Schuif de vergrendelkraag omlaag over de kwartsbuis en schroef deze vast. Schroef totdat de stop van de vergrendelkraag de stop van de behuizing raakt. De kraag kan dan niet verder naar beneden worden geschroefd.
- 6 - Monteer de bajonetslang en schroef deze vast en start de unit opnieuw (afb. 8-X).

**Waarschuwing!** Controleer of de kwartsbuis goed is gemonteerd zodat het een volledige waterdichte afdichting vormt.

Controleer de status van de twee o-ringen op de

kwartsbuisassemblage (Afb. 9-T-iii). Als deze op enige wijze zijn beschadigd of u kunt geen waterdichte afdichting garanderen, dient u contact op te nemen met de klantenservice van Hozelock.

### Biologisch filter

Normaliter is het niet nodig om de biomedica te verwijderen, omdat enige reiniging de bacteriekolonies doodt die er voor zorgen dat giftig afval onschadelijk wordt. Als de biomedica echter ernstig verstopt raken en reiniging vereisen, dient onderstaande procedure te worden gevolgd.

- 1 - Verwijder het schuim.
- 2 - De zak Kaldnes Biomedica (Afb. 7-U) kan vervolgens worden verwijderd voor reiniging.
- 3 - Spoel in vijverwater.
- 4 - Monteer het filter en start de unit opnieuw.

### Rotor reiniging/vervanging

Als er geen water wordt gepompt of de stroming wordt beperkt, verwijdert u de kwartsbuis en lamp zoals hierboven beschreven en volgt u vervolgens de onderstaande procedure.

- 1 - Ontgrendel de schuimkap door de twee knoppen (Afb. 5-R) in te drukken en de kap op te tillen (Afb. 6-S).
- 2 - Verwijder het schuim (Afb. 7-T), biomedica (Afb. 7-U) en steenzak.
- 3 - Draai de unit en verwijder de 4 montageschroeven (Afb.10-AA) en til de basis omhoog.
- 4 - Verwijder de 2 montageschroeven (Afb. 10-BB) en til de pompassemblage omhoog.
- 5 - Draai de pompkamer linksom (Afb. 10-CC) en til omhoog. De rotor kan nu worden verwijderd voor reiniging of vervangen (Afb. 10-DD).

**Belangrijk! Let op dat er geen kleine componenten vallen.**

**Zie Afb. EasyClear™ 10A voor assemblage van de EasyClear™ 6000 en EasyClear™ 7500 rotors en Afb. 10B voor assemblage van de EasyClear™ 9000 rotor.**

- 6 - Monteer de pomp weer en plaats de 2 montageschroeven terug (Afb. 10-BB).
- 7 - Plaats de kabel terug (Afb. 10-EE).
- 8 - Monteer het filter en start de unit opnieuw.

## Pomponderhoud gedurende het hele jaar

Een snelle dagelijkse controle moet altijd worden uitgevoerd teneinde te waarborgen dat de pomp naar behoren functioneert.

Eén keer per week - Verwijder de buitenste behuizing en fonteinkop overeenkomstig de algemene onderhoudsinstructies.

Afhankelijk van de vijvercondities, moet u wellicht het reinigingsinterval aanpassen.

Eén keer per jaar- Demonteer de unit volledig, inclusief de rotorassemblage zoals beschreven in de algemene onderhoudsinstructies, en spoel alle componenten in schoon, helder water.

Vervang eventuele versleten of gebroken onderdelen.

## Opslag in de winter

Als de unit niet in gebruik is, moet deze worden verwijderd, grondig worden gewassen en gereinigd, gedroogd en worden opgeslagen in een droge, vorstvrije omgeving. Plaats tijdens opslag het schuim en de schuimkap niet op de unit, zodat de unit voldoende wordt geventileerd en gedroogd.

## Contact / Reserveonderdelen

Voor productadvies en onderdelen kunt u contact opnemen met Hozelock Cyprio Consumentenafdeling (0121 313 1122) of ga naar [www.hozelock.com](http://www.hozelock.com)

## Visinventaris en dichtheid

Onder normale omstandigheden, zal de EasyClear™ tot 1,44m (EasyClear™ 6000 & EasyClear™ 7500) of 2,16m (EasyClear™ 9000) vis kunnen ondersteunen. Laat de vissen langzaam wennen gedurende de eerste paar weken, tot maximaal 20% van het aanbevolen niveau. Dit verhoogt u naar 50% na zes maanden. Dit evenwicht bevordert de groei van de vissen.

## Hozelock Cyprio Clearwater-garantie

**WIJ GARANDEREN U HELDER WATER OF UW GELD TERUG.**

**OPMERKING: IN ENKELE GEVALLEN KAN HET 6 TOT 8 WEKEN DUREN VOORDAT UW WATER HELDER WORDT.**

Deze garantie geldt gedurende 12 maanden na aanschaf, mits:

- de installatie- en bedieningsvoorschriften zijn opgevolgd.
- U gebruikt apparatuur van het juiste formaat en vispeil.
- u in een voldoende vroeg stadium contact opneemt met onze helpdesk (0121 313 1122) om de problemen op te laten lossen;
- het product onbeschadigd is geretourneerd.

Een eventuele vergoeding kan uitsluitend door Hozelock Cyprio worden goedgekeurd en wordt uitsluitend vergoed door de oorspronkelijke verkoper tegen de aanschafwaarde van de EasyClear™. Er is overleg van een aanschafbewijs noodzakelijk. Let op dat vertroebeling van het water als gevolg van draadalgan niet onder de Clearwater-garantie valt, in tegenstelling tot vertroebeling van het water door groene algen.

## 3 jaar productgarantie

Als deze eenheid, met uitzondering van de rotorassemblage, het filterschuim & UV-lamp binnen 3 jaar na aankoop onbruikbaar wordt, wordt het onder onze voorwaarden en op onze kosten hersteld of vervangen, tenzij wij van mening zijn dat de apparatuur is beschadigd of onjuist is gebruikt. Wij aanvaarden geen verantwoordelijkheid voor schade ontstaan als gevolg van ongevallen, onjuiste installatie of onjuist gebruik.

Onze verantwoordelijkheid is beperkt tot vervanging van de defecte eenheid. Deze garantie is niet overdraagbaar. Deze garantie beïnvloedt niet uw statutaire rechten.

Om aanspraak te maken op uw garantie, dient u eerst contact op te nemen met de klantenservice van Hozelock Cyprio die kan verzoeken om het product samen met het aankoopbewijs direct naar het onderstaande adres te sturen.

**SCHADE VEROORZAAKT DOOR DE EasyClear™ TE GEBRUIKEN ZONDER WATER OF BIJ VORST ZAL DE GARANTIE DOEN VERVALLEN.**

## Probleemoplossing

Wij verzoeken u de veiligheidsinstructies te lezen voordat u enige problemen met de EasyClear™ gaat verhelpen! Het is wellicht ook noodzakelijk om de onderhoudsinstructies hiertoe te raadplegen.

### LAGE STROMING VAN DE POMP

- a – Het schuim is wellicht geblokkeerd en vereist reiniging.
- b - Controleer of de buitenste kooi schoon is.
- c - Reinig enige blokkades en pas de stroomregeling aan.
- d - Controleer of de witte flap in de pompkamer goed kan bewegen.
- e - Controleer of de rotor schoon is en goed kan bewegen.

### SLECHTE FONTEINDISPLAY

- a – Zie hierboven.
- b - Reinig de fontein kop.

### UV-LAMP WERKT NIET

- a - Controleer of de stroomvoorziening is ingeschakeld.
- b - Controleer de zekering, RCD en bedrading.
- c - Vervang de lamp.
- d - De beveiliging tegen overbelasting is wellicht geactiveerd - zie het gedeelte Beveiliging tegen overbelasting.

### POMP WERKT NIET

- a - Controleer of de stroomvoorziening is ingeschakeld.
- b - Controleer de zekering, RCD en bedrading.
- c - Controleer of de rotor is geblokkeerd.
- d - De beveiliging tegen overbelasting is wellicht geactiveerd - zie het gedeelte Beveiliging tegen overbelasting.
- e - Controleer of de buitenste kooi schoon is.
- f – Controleer of het indringen van water in het lampgedeelte.



Doe elektrische apparaten niet bij het huishoudelijk afval, maak gebruik van aparte inzamelingsfaciliteiten. Neem contact op met uw lokale autoriteiten voor informatie over de verschillende inzamelingsmogelijkheden.

Als elektrische apparaten rechtkomen op een vuilstortplaats, kunnen gevaarlijk stoffen in het grondwater lekken en in de voedselketen terecht komen, met alle daaraan verbonden gezondheidsgevolgen. Binnen de EU is de verkoper wettelijk verplicht uw oude apparaten terug te nemen als u een vervangend apparaat aanschaft. Aan deze dienst mogen geen kosten worden verbonden.

## Technische informatie

Onderdeelnr	1764	1766	1768
Model	6000	7500	9000
Voltage	230V 50Hz	230V 50Hz	230V 50Hz
UV-C-vermogen (W)	9	11	13
Totaal vermogen (W)	40	43	55
Maximum vijverformaat zonder vis	6000 ltr (1319 gal)	7500 ltr (1648 gal)	9000ltr (1978 gal)
Maximum vijverformaat met vis	4000 ltr (879 gal)	5000 ltr (1099 gal)	6000 ltr (1319 gal)
Maximum doorstroming, QMax, (l/u)	1700 lph (374 gph)	1700 lph (374 gph)	2850 lph (627 gph)
Max kop, Hmax, (m)	2m	2m	2.3m
IP-rating	IPX8	IPX8	IPX8
Maximale watertemperatuur, Tmax, (°C)	35°C	35°C	35°C

\* Gemeten onder gecontroleerde omstandigheden



Desidero ringraziarla per aver acquistato un prodotto di qualità Hozelock, che le garantirà un funzionamento in tutta sicurezza per molti anni.

## ISTRUZIONI PER L'INSTALLAZIONE E L'UTILIZZO



**PRIMA DI PROCEDERE ALL'INSTALLAZIONE, SI RACCOMANDA DI LEGGERE ACCURATAMENTE LE PRESENTI ISTRUZIONI.**

**LA MANCATA OSSERVANZA DI QUANTO DI SEGUITO RIPORTATO PUÒ COMPORTARE IL RISCHIO DI INFORTUNI, DANNI ALLE APPARECCHIATURE O PERDITA DI PESCI.**

**CONSERVARE LE PRESENTI ISTRUZIONI PER EVENTUALI**

La pompa Hozelock Cyprio EasyClear™ per fontane e cascate è stata progettata per l'uso sommerso in laghetti esterni.

### Attenzione: Avvertenza raggi UV

Questo apparecchio è dotato di un emettitore UV-C. L'uso dell'apparecchio per scopi diversi da quanto preposto o il danneggiamento dell'involucro, potrebbero implicare l'emissione di radiazioni UV-V pericolose. Le radiazioni UV-C, anche se a dosaggi ridotti, possono essere dannose per la vista e la pelle. La lampada è dotata di un interblocco che spegnerà la lampada in caso di rimozione del tubo a baionetta (Fig. 8-X).

Quando la lampada è accesa, è possibile verificarne il funzionamento in condizioni di scarsa illuminazione, osservando dall'uscita della fontana la presenza di un bagliore bluastro (Fig. 1-A). Non utilizzare il prodotto a secco.

**Avvertenza: non tentare di utilizzare l'emettitore UV-C quando rimosso dalla carcassa dell'apparecchio.**

**Avvertenza: prima di sostituire l'emettitore UV-C, disattivare l'alimentazione dell'apparecchio.**

### Importante

Questo apparecchio deve essere utilizzato solamente da o sotto la supervisione di un adulto responsabile, in grado di utilizzarlo in modo sicuro e di comprendere i rischi ad esso correlati. Utilizzare e conservare l'apparecchio al di fuori della portata di bambini o persone con ridotte abilità fisiche, sensoriali o mentali.

### Avvertenza: Sicurezza e Allacciamenti elettrici

**1.1 AVVERTENZA: PRIMA DI IMMERGERE LE MANI NELL'ACQUA DURANTE**

**L'INSTALLAZIONE, LA RIPARAZIONE, LA MANUTENZIONE O IL TRASPORTO, SI RACCOMANDA DI ESTRARRE SEMPRE LA SPINA O DISATTIVARE L'ALIMENTAZIONE ELETTRICA DI TUTTI GLI APPARECCHI NEL LAGHETTO.**

- 1.2 Questo filtro è stato progettato per l'utilizzo esclusivo in laghetti da giardino. Non utilizzarlo per altri scopi (ad es., non utilizzarlo nelle piscine, ecc.). L'utilizzo del prodotto per qualsiasi applicazione non prevista, può comportare il rischio di infortuni o danni alle apparecchiature. Non utilizzare la pompa in presenza di persone in acqua.
- 1.3 Non azionare apparecchi che risultino evidentemente danneggiati.
- 1.4 Il tubo trasparente all'interno dell'apparecchio è realizzato in vetro al quarzo. Si raccomanda quindi di eseguirne l'installazione e la manutenzione con cautela. Si raccomanda di indossare una protezione oculare e dei guanti appropriati.
- 1.5 Non rimuovere e azionare il gruppo pompa dal relativo alloggiamento esterno. L'utilizzo del gruppo pompa sprovvisto di alloggiamento esterno può invalidare la garanzia.
- 1.6 **Importante:**  
questo prodotto viene fornito completo di cavo elettrico a 3 conduttori, da 10 metri. La spina fornita in dotazione al prodotto non è impermeabile e deve essere collegata all'alimentazione di rete, all'interno di una protezione asciutta resistente alle intemperie, in conformità alle normative locali.  
Le installazioni permanenti all'alimentazione di rete (cablaggio) devono essere conformi alle normative nazionali e locali sui cablaggi. In caso di dubbi riguardo al cablaggio all'alimentazione elettrica, si raccomanda di contattare un elettricista qualificato o una società elettrica locale.
- 1.7 Qualora sia necessario utilizzare una prolunga, collegarla all'estremità del cavo del gruppo mediante un connettore resistente alle intemperie. Posizionare il giunto in un alloggiamento appropriato, resistente alle intemperie. Il cavo di prolunga dovrà corrispondere a un cavo a 3 conduttori, isolato in gomma in policloroprene da 0,75 mm<sup>2</sup> (rif.: HO5 RN-F) e dovrà essere collegato permanentemente all'alimentazione di rete, come descritto nel precedente punto 1.6.
- 1.8 **AVVERTENZA:** questo apparecchio DEVE essere collegato a massa ed è essenziale che gli allacciamenti siano effettuati osservando il seguente codice:

- MARRONE - in tensione
  - BLU - neutro
  - VERDE/GIALLO - terra.
- 1.9 Il cavo esposto deve essere posizionato con criterio e protetto mediante un condotto corazzato, in particolare qualora sussista il rischio di contatto con attrezzi da giardinaggio, quali forche e tosaerba, o con bambini e animali domestici.
  - 1.10 Non azionare l'apparecchio in presenza di cavo d'alimentazione danneggiato. Il cavo di alimentazione è collegato e sigillato permanentemente alla pompa e non può essere sostituito. In presenza di cavo danneggiato, smaltire il gruppo in conformità alle normative locali.
  - 1.11 È ESSENZIALE installare un dispositivo di corrente residua (Residual Current Device, RCD) da 30 mA max. nel sistema d'alimentazione di rete.
  - 1.12 Le installazioni permanenti all'alimentazione elettrica (cablaggio) devono essere conformi alle normative nazionali e locali sui cablaggi. In caso di dubbi riguardo al cablaggio all'alimentazione elettrica, si raccomanda di contattare un elettricista qualificato o una società elettrica locale.
  - 1.13 Non utilizzare il cavo di alimentazione per sollevare l'unità, che potrebbe danneggiarsi. In caso di filtro installato in acque profonde, si raccomanda di applicare una fune di sollevamento al gancio ubicato sulla base. (Fig 1-F). Qualora si renda necessario spostare l'unità, prima di procedere, si raccomanda di disattivarla ed estrarla dall'acqua utilizzando tale fune.
  - 1.14 Non azionare la pompa fuori dall'acqua! Il livello dell'acqua dovrà essere al di sopra dell'indicatore UVC all'altezza del giunto sferico (Fig. 4A-L).
  - 1.15 Non azionare o lasciare l'unità in condizioni di congelamento. (Fare riferimento al paragrafo "Conservazione durante la stagione invernale").
  - 1.16 Questo apparecchio non è adatto all'utilizzo a temperature dell'acqua superiori a 35°C o inferiori a 0°C.
  - 1.17 Utilizzare esclusivamente accessori progettati per l'uso con questo prodotto. L'uso di qualsiasi altro accessorio o parte di ricambio potrebbe invalidare la garanzia.

## Protezione da sovraccarichi

A garanzia di maggiore durata utile e per prevenire il rischio di danni, EasyClear è dotato di una protezione automatica da sovraccarichi termici, che disattiva la pompa o la lampada UV in caso di surriscaldamenti. In tal caso, disattivare l'alimentazione di rete

dell'unità. Qualora la protezione da sovraccarichi si attivi per un problema alla pompa, verificarne la causa (normalmente dovuta a residui che bloccano l'ingresso della pompa o ostruiscono la girante). Rimuovere l'ostruzione e lasciare raffreddare l'unità per 15 minuti, quindi riattivarla.

Se la causa di scatto della protezione da sovraccarichi risiede nella lampada UV (la pompa continua a funzionare, ma la lampada UV si spegne dopo un breve periodo), contattare il servizio di assistenza clienti HozeLock al numero +44 (0)121 313 1122.

Promemoria: la lampada è dotata di un interblocco che spegnerà la lampada in caso di rimozione del tubo a baionetta (Fig. 8-X). Pertanto, il funzionamento della lampada in condizioni di scarsa illuminazione può essere verificato solamente osservando dall'uscita della fontana la presenza di un bagliore bluastro (Fig 1-A), con il tubo a baionetta bloccato in posizione.

**NOTA: PRIMA DI RIATTIVARE L'UNITÀ, DISATTIVARE L'ALIMENTAZIONE DI RETE.**

**ATTENZIONE:** per evitare qualsiasi problema correlato alla sicurezza, causato da un reset involontario della protezione da sovraccarichi termici, non utilizzare il prodotto con un dispositivo di commutazione esterno, ad es., un timer, o collegato a un circuito regolarmente attivato e disattivato dall'alimentazione elettrica.

## Periodi di funzionamento

Si consiglia di mantenere in funzione il filtro 24 ore al giorno. Idealmente, dovrebbe rimanere in funzione nel corso di tutto l'anno, ma senza dubbio per tutta la stagione d'alimentazione della fauna ittica (cioè, fino a quando la temperatura dell'acqua scende a livelli inferiori a 10°C e i pesci smettono di alimentarsi). Nella stagione invernale, azionando l'unità, si manterrà un livello base di batteri utili nel filtro biologico, evitando inoltre il congelamento dell'acqua del laghetto. Prestare tuttavia attenzione a evitare il congelamento dell'unità. Qualora l'unità sia disattivata per la stagione invernale, si raccomanda di lavarla accuratamente prima di ripristinare la filtrazione in primavera (vedere il paragrafo "Conservazione nella stagione invernale"). Non alimentare mai i pesci quando l'unità non è in funzione.

## Prima dell'utilizzo iniziale

La manipolazione impropria di questo prodotto durante il trasporto può implicare il rischio di danni al tubo al quarzo. Prima dell'installazione, si raccomanda di ispezionare il tubo al quarzo e la tenuta.

Per maggiori dettagli sulla modalità di accesso al tubo al quarzo e alla lampada, vedere il paragrafo "Manutenzione".

## Installazione

**Posizionamento** - Costruire una piattaforma solida e piana su cui posizionare l'EasyClear™. La piattaforma dovrà essere posizionata a più di 300 mm (12") sotto il livello dell'acqua. In caso di profondità comprese fra 300 mm e 600 mm, per far affiorare la fontana sulla superficie del laghetto, utilizzare i segmenti di prolunga avvitabili dello stelo della fontana (Fig. 1-K). Per informazioni generali sull'installazione, vedere la Fig 4. Qualora l'EasyClear si utilizzi per una cascata, tutta l'unità dovrà essere sommersa.

**Collegamento** - Posizionare l'unità accanto al laghetto e reindirizzare il cavo verso l'alimentazione di rete. Assicurarsi che il cavo sia

## Assemblaggio accessori

### Fontana a campana (Fig. 1).

Posizionare il supporto della campana (B) sul corpo principale della campana (C) e premerlo saldamente in posizione.

Posizionare la campana (D) sul gruppo corpo e premerla nella posizione centrale. Inserirlo nel regolatore di portata della fontana (Fig. 1-H).

### Montaggio gruppo giochi d'acqua di 2° e 3° livello (Fig. 1-G).

I dischetti di plastica (Fig. 1-E) che creano i giochi d'acqua di 2° e 3° livello s'innestano facilmente sullo stelo della fontana. Premere lo stelo della fontana nel segmento di prolunga dello stelo, quindi avvitare sull'uscita della fontana (Fig. 1-H).

## Funzionamento della sola fontana

**Nota: non è possibile chiudere completamente l'uscita della cascata (Fig. 1-I). Ciò serve per consentire sempre il versamento dell'acqua nel laghetto, anche in caso di blocco della sorgente della fontana, a garanzia di acqua sempre pulita. Se l'acqua del laghetto non dovesse risultare sufficientemente pulita, potrebbe rendersi necessario consentire un maggiore versamento di acqua nel laghetto, aprendo l'uscita della cascata.**

Le sorgenti di 2° e 3° livello della fontana si innestano facilmente sullo stelo della fontana. L'angolo della fontana può essere regolato in posizione verticale, agendo sul giunto sferico (Fig. 2-L). Il grado di serraggio del giunto sferico è regolabile (Fig 2-M), secondo necessità. La sorgente di 2° livello può essere utilizzata per ottenere un diverso e maggiore gioco d'acqua rispetto al 3° livello.

L'altezza della fontana può essere regolata a propria discrezione, ruotando il regolatore di portata della fontana (Fig. 3B-N). Ruotare il regolatore della cascata (Fig. 3A-O) fino a chiuderlo, per ottenere l'altezza massima della fontana.

La fontana a campana crea una 'campana d'acqua' decorativa. Le dimensioni della campana sono modificabili a propria discrezione, ruotando il regolatore di portata della fontana (Fig. 3B-N).

Installare e posizionare la pompa come precedentemente indicato, quindi attivarla.

## Funzionamento di fontana e campana

Collegare un tubo flessibile da 25 mm (1") di lunghezza appropriata (massimo 3 m) all'innesto d'estremità del flessibile sul regolatore della cascata (Fig. 3A-Q) e fissarlo con una fascetta per tubi appropriata, quindi disporre l'estremità di uscita del flessibile nella posizione desiderata.

Avvitare il regolatore della cascata sull'uscita della cascata, nella parte anteriore dell'EasyClear™ (Fig. 3A-Q).

Una volta azionata la pompa, il flusso della cascata e l'altezza della fontana possono essere regolati in modo indipendente, agendo sul regolatore della fontana (Fig. 3B-N) e sul regolatore della cascata (Fig. 3A-O).

Installare e posizionare la pompa come precedentemente indicato, quindi attivarla.

## Funzionamento della sola cascata

**(Per la guida all'installazione generale, vedere la Fig. 4)**

Avvitare il tappo a vite sull'uscita della fontana (Fig. 3A-P).

Collegare un tubo flessibile da 25 mm (1") di lunghezza appropriata (massimo 3 m) all'innesto d'estremità del flessibile sul regolatore della cascata (Fig. 3A-O) e fissarlo con una fascetta per tubi appropriata, quindi disporre l'estremità di uscita del flessibile nella posizione desiderata.

Avvitare il regolatore della cascata sull'uscita della cascata, nella parte anteriore dell'EasyClear™ (Fig. 3A-Q).

Regolare il flusso agendo sul regolatore della cascata (Fig. 3A-O) a propria discrezione.

Installare e posizionare la pompa come precedentemente indicato, quindi attivarla.

## Funzionamento lampada UVC

Se il tubo a baionetta è correttamente bloccato in posizione, la lampada UVC si accenderà automaticamente dopo aver collegato l'unità all'alimentazione elettrica.

Il funzionamento della lampada UVC può essere verificato controllando dall'uscita del giunto sferico la presenza di un luce bluastro (Fig. 1-A). Tale luce potrebbe risultare visibile solamente in condizioni di scarsa illuminazione.

Per le istruzioni sulla sostituzione della lampada, vedere la sezione Manutenzione.

## Manutenzione

L'unità Hozelock Cyprio EasyClear™ è stata progettata a garanzia di semplicità e rapidità di manutenzione.

Come con tutte le apparecchiature per laghetti, è di volta in volta necessario pulire o sostituire determinati componenti.

**AVVERTENZA:** prima di eseguire qualsiasi intervento di manutenzione, disattivare l'alimentazione elettrica del prodotto e fare riferimento alla sezione "Sicurezza e Allacciamenti elettrici".

### Sorgente (Fig. 1-E)

In caso di blocco della sorgente della fontana, procedere come di seguito indicato:

- 1 - posizionare una moneta o un oggetto simile nella scanalatura e rimuovere delicatamente la sorgente;
- 2 - sciacquarla in acqua pulita e rimontarla.

### Materiale spugnoso

In caso di portata ridotta, procedere come di seguito indicato:

- 1 - Sganciare il coperchio del materiale spugnoso premendo i due pulsanti (Fig. 5-R), quindi sollevarlo (Fig. 6-S).
- 2 - Rimuovere il materiale spugnoso (Fig. 7-T). Nota: - se l'unità rimane all'esterno del laghetto per oltre 20 minuti, l'azione del filtro biologico potrebbe interrompersi. Sciacquare accuratamente nell'acqua del laghetto (non utilizzare acqua di rete).
- 3 - Sciacquare anche il coperchio e la base nell'acqua del laghetto (non utilizzare acqua di rete).
- 4 - Potrebbe anche rendersi necessario pulire il materiale biologico e le pietre (Fig. 7-U) eventualmente ostruite. In tal caso, sciacquare il materiale biologico e le pietre solamente nell'acqua del laghetto.
- 5 - Rimontare il filtro.

### Tubo al quarzo

Se l'acqua del laghetto rimane verde, procedere come di seguito indicato:

- 1 - Rimuovere le vite di bloccaggio a baionetta (Fig. 8-V), ruotare e sollevare il tubo a baionetta (Fig. 8-W).
- 2 - Pulire il tubo al quarzo. Si raccomanda di maneggiare il tubo al quarzo con particolare cautela. Nelle aree con acqua dura, sul tubo al quarzo potrebbero formarsi depositi di calcare che ne ridurrebbero l'efficienza. Pulire il tubo con un panno morbido e un prodotto anticalcare (ad es., aceto e acqua), sciacquarlo in acqua prima di reinstallarlo.
- 3 - Rimontare il tubo a baionetta, avvitarlo e riavviare

l'unità (Fig. 8-X).

**Avvertenza!** Prima di reinstallare il tubo al quarzo, verificare che non sia danneggiato.

### Sostituzione della lampada

In caso di necessità di sostituzione della lampada o qualora la lampada non si accenda, procedere come di seguito indicato:

sostituire la lampada all'inizio della nuova stagione. Anche se la lampada si accende ancora, i raggi UV potrebbero aver perso la loro efficacia. Il funzionamento corretto di EasyClear™ dipende dall'intensità dei raggi UV emessi, che si riduce lentamente fin dal primo giorno di accensione della lampada. La lampada UVC ha una durata utile di 12 mesi. Sostituire la lampada non appena si noti una notevole riduzione di limpidezza dell'acqua. Assicurarsi che ciò sia dovuto a una lampada in esaurimento e non a una manutenzione inappropriata del filtro o a un deposito di calcare/sporcizia sulla guaina al quarzo. Entrambi i fattori possono infatti ridurre notevolmente l'emissione di raggi UV nell'acqua.

- 1 - Rimuovere le vite di bloccaggio a baionetta (Fig. 8-V), ruotare e sollevare il tubo a baionetta (Fig. 8-W).
- 2 - Allentare il collare di bloccaggio del tubo al quarzo (Fig. 9-Y-i). Afferrare con cautela il tubo al quarzo (Fig. 9-Y-ii), sollevarlo e rimuoverlo unitamente agli anelli O'ring (Fig. 9-Y-iii) e al collare di bloccaggio.
- 3 - Rimuovere la lampada usata, estraendola delicatamente dal relativo supporto (Fig. 9-Z). Smaltire la lampada usata in conformità alle normative locali. Inserire la nuova lampada.
- 4 - Far scorrere il tubo al quarzo verso la parte inferiore, sulla lampada. Verificare che i due anelli O'ring alla base del tubo al quarzo siano puliti e privi di detriti.
- 5 - Far scorrere il collare di bloccaggio verso il basso, sul tubo al quarzo, quindi avvitarlo. Serrare le vite finché l'arresto del collare di bloccaggio entri in contatto con l'arresto dell'involucro, in modo che il collare non possa essere più allentato.
- 6 - Rimontare il tubo a baionetta, avvitarlo e riavviare l'unità (Fig. 8-X).

**Avvertenza!** Verificare il corretto assemblaggio del tubo al quarzo, affinché garantisca una tenuta completamente stagna.

Verificare la condizione dei due O'ring sul gruppo tubo al quarzo (Fig. 9-Y-iii). Qualora siano danneggiati o non sia possibile garantire una tenuta impermeabile, si raccomanda di contattare i Servizi assistenza clienti (Consumer Services) di Hozelock.

### Filtro biologico

In linea generale, non è necessario rimuovere il materiale biologico, in quanto un'eventuale pulizia potrebbe distruggere le colonie di batteri che

neutralizzano i rifiuti tossici. Tuttavia, in caso di notevole ostruzione del materiale biologico, che ne richieda la pulizia, procedere come di seguito indicato.

- 1 - Rimuovere il materiale spugnoso.
- 2 - Rimuovere la retina con il materiale biologico Kaldnes (Fig. 7-P) per procedere alla pulizia.
- 3 - Effettuare il lavaggio nell'acqua del laghetto.
- 4 - Ricollegare il filtro e riavviare l'unità.

#### **Pulizia/sostituzione del rotore**

Se l'acqua non viene pompata o in presenza di minore portata, rimuovere il tubo al quarzo e la lampada, procedendo come sopra descritto, quindi attenersi a quanto di seguito indicato.

- 1 - Sganciare il coperchio del materiale spugnoso premendo i due pulsanti (Fig. 5-R), quindi sollevarlo (Fig. 6-S).
- 2 - Rimuovere il materiale spugnoso (Fig. 7-T), il materiale biologico (Fig. 7-U) e la retina con le pietre.
- 3 - Capovolgere l'unità e rimuovere le 4 viti di fissaggio (Fig. 10-AA), quindi sollevare la base.
- 4 - Rimuovere le 2 viti di fissaggio (Fig. 10-BB) e sollevare il gruppo pompa.
- 5 - Ruotare la camera della pompa in senso antiorario (Fig. 10-CC) e sollevarla. Il rotore può ora essere estratto per pulirlo o sostituirlo (Fig. 10-DD).

**Importante! Prestare attenzione a non far cadere i componenti di piccole dimensioni.**

**Vedere la Fig. EasyClear™ 10A per l'assemblaggio dei rotori EasyClear™ 6000 ed EasyClear™ 7500, e la Fig. 10B per l'assemblaggio del rotore EasyClear 9000.**

- 6 - Rimontare la pompa e reinserire 2 viti di fissaggio (Fig. 10-W).
- 7 - Reindirizzare il cavo (Fig. 10-Z).
- 8 - Rimontare il filtro e riavviare l'unità.

#### **Manutenzione della pompa durante tutto l'anno**

Si raccomanda di eseguire un breve controllo quotidiano per accertarsi del corretto funzionamento della pompa.

A cadenza settimanale - Rimuovere l'involucro esterno e la sorgente, attenendosi a quanto riportato sulle note per la manutenzione generale.

In base alle condizioni dell'acqua del laghetto, la pulizia potrebbe dover essere effettuata con maggiore frequenza.

A cadenza annuale - Smontare completamente l'unità, incluso il gruppo rotore, procedendo come riportato sulle note per la manutenzione generale, quindi lavare tutti i componenti in acqua pulita.

Sostituire eventuali componenti usurati o rotti.

#### **Conservazione durante la stagione invernale**

Quando non in uso, rimuovere l'unità, lavarla e pulirla accuratamente, asciugarla e deporla in un'area protetta, non soggetta a freddo intenso. Riporre sempre l'unità senza materiale spugnoso e relativo coperchio, in modo da garantire che rimanga sempre asciutta e aerata.

#### **Contatti/Parti di ricambio**

Per informazioni sul prodotto e richieste di parti di ricambio, contattare i servizi assistenza clienti Hozelock Cyprio al numero 0121 313 1122 o consultare il sito Web [www.hozelock.com](http://www.hozelock.com)

#### **Densità e tasso di popolamento dei pesci**

In condizioni normali, EasyClear™ è in grado di supportare fino a 1,44 m (EasyClear™ 6000 ed EasyClear™ 7500) o 2,16 m (EasyClear™ 9000) di pesci. Introdurre i pesci gradualmente nelle prime due settimane, fino a raggiungere il 20% del livello massimo raccomandato, incrementandolo al 50% dopo sei mesi. Questo equilibrio consentirà uno sviluppo ottimale dei pesci.

#### **Garanzia "Clearwater" di Hozelock Cyprio**

**GARANTIAMO ACQUA LIMPIDA O IL RIMBORSO.**

**NOTA: IN ALCUNI CASI, POSSONO TRASCORRERE FINO A 6-8 SETTIMANE, PRIMA CHE L'ACQUA DIVENTI LIMPIDA.**

La garanzia è valida 12 mesi della data d'acquisto, premesso che:

- siano state osservate le istruzioni d'installazione e d'uso;
- si utilizzino apparecchiature di dimensioni appropriate per la densità ittica;
- in caso di problemi, sia stato contattato tempestivamente il nostro servizio assistenza clienti al numero 0121 313 1122;
- il prodotto sia stato restituito integro.

I rimborsi possono essere autorizzati esclusivamente da Hozelock Cyprio e saranno effettuati solo presso il punto vendita, per il valore del prezzo d'acquisto della sola unità EasyClear™. Sarà richiesta una prova d'acquisto. Tenere presente che la garanzia "Clearwater" non è applicabile in caso di perdita di limpidezza dell'acqua a causa di tappeti di alghe, in luogo di normali alghe verdi.

#### **Garanzia triennale del prodotto**

Qualora l'unità, ad esclusione del gruppo rotore,

del materiale spugnoso del filtro e della lampada UV, diventi inutilizzabile entro 3 anni dalla data d'acquisto, la stessa sarà riparata o sostituita, a nostra discrezione, gratuitamente, premesso che, a nostro parere, l'unità non sia stata danneggiata o utilizzata in modo improprio. Non si assume alcuna responsabilità a fronte di danni dovuti a incidenti, installazione o utilizzo impropri.

La responsabilità è limitata alla sostituzione di una unità guasta. La presente garanzia non è trasferibile e non ha alcuna influenza sui diritti normativi dell'utente.

Per beneficiare della garanzia, contattare in primo luogo i servizi assistenza clienti di Hozelock Cyprio che potranno richiedere la restituzione del filtro, unitamente a una prova d'acquisto direttamente all'indirizzo indicato.

### LA GARANZIA NON COPRE DANNI CAUSATI DALL'UTILIZZO DI EasyClear™ ALL'ESTERNO DELL'ACQUA O DA GELO.

## Localizzazione guasti

Prima di adottare qualsiasi misura correttiva su EasyClear™, si raccomanda di leggere le sezioni sulla sicurezza delle presenti istruzioni! Potrebbe inoltre rendersi necessario consultare la sezione Manutenzione delle presenti istruzioni.

### PORTATA RIDOTTA DALLA POMPA

- a - I materiali spugnosi potrebbero essere bloccati. Pulirli, secondo necessità
- b - Verificare che la gabbia esterna sia pulita.
- c - Eliminare eventuali ostruzioni e regolare i controlli della portata.
- d - Verificare che l'aletta bianca all'interno della camera della pompa si possa muovere liberamente.
- e - Verificare che il rotore sia pulito e si muova liberamente.

### GETTO SCARSO DALLA FONTANA

- a - Come sopra
  - b - Pulire la sorgente.
- ### LAMPADA UV NON FUNZIONANTE
- a - Verificare l'attivazione dell'alimentazione elettrica.
  - b - Verificare fusibile, dispositivo di corrente residua e cablaggio.
  - c - Sostituire la lampada.
  - d - Potrebbe essere stata azionata la protezione da sovraccarichi - vedere la sezione Protezione da sovraccarichi.
- ### POMPA NON FUNZIONANTE
- a - Verificare l'attivazione dell'alimentazione elettrica.
  - b - Verificare fusibile, dispositivo di corrente residua e cablaggio.
  - c - Accertarsi che il rotore non sia bloccato.
  - d - Potrebbe essere stata azionata la protezione da sovraccarichi - vedere la sezione Protezione da sovraccarichi.
  - e - Verificare che la gabbia esterna sia pulita.
  - f - Controllare la presenza di eventuali infiltrazioni d'acqua nell'area della lampada.



Non smaltire le apparecchiature elettriche come rifiuti urbani non differenziati; smaltirli presso strutture preposte separate. Contattare l'ente locale per richiedere informazioni sul sistema di raccolta rifiuti disponibili. Smaltendo le apparecchiature elettriche presso discariche o depositi, potrebbe verificarsi un versamento di sostanze pericolose nelle falde freatiche, quindi nella catena alimentare, con conseguenti danni alla salute e al benessere. Nell'UE, qualora si sostituiscano apparecchiature usate con apparecchiature nuove, il rivenditore è legalmente obbligato a ritirare la vecchia apparecchiatura e smaltirla a titolo gratuito.

## Dati tecnici

Codice	1764	1766	1768
Modello	6000	7500	9000
Volt	230V 50Hz	230V 50Hz	230V 50Hz
Potenza UVC (W)	9	11	13
Potenza totale (W)	40	43	55
Dimensione massima del laghetto senza pesci	6000 ltr (1319 gal)	7500 ltr (1648 gal)	9000ltr (1978 gal)
Dimensione massima del laghetto con pesci	4000 ltr (879 gal)	5000 ltr (1099 gal)	6000 ltr (1319 gal)
Portata max., Qmax, (lph)	1700 lph (374 gph)	1700 lph (374 gph)	2850 lph (627 gph)
Sorgente max., Hmax, (m)	2m	2m	2.3m
Valutazione IP	IPX8	IPX8	IPX8
Temperatura massima dell'acqua Tmax, (°C)	35°C	35°C	35°C

\* Misurata in condizioni controllate



Gracias por elegir un producto Hozelock de calidad. Este producto le ofrecerá un gran número de años de servicio con la máxima confianza.

## INSTRUCCIONES DE INSTALACIÓN Y FUNCIONAMIENTO



**LEA ATENTAMENTE ESTAS INSTRUCCIONES ANTES DE INICIAR LA INSTALACIÓN.**

**EL INCUMPLIMIENTO DE LOS AVISOS QUE SE INDICAN A CONTINUACIÓN PODRÍA PROVOCAR LESIONES, DAÑOS EN EL PRODUCTO O LA PÉRDIDA DE PECES.**

**CONSERVE ESTAS INSTRUCCIONES PARA FUTURAS CONSULTAS.**

La bomba EasyClear™ de Hozelock Cyprio para fuente y cascada ha sido diseñada para uso sumergido en estanques al aire libre. Es una unidad integrada que ofrece filtración mecánica y biológica con aclarador ultravioleta, fuente y cascada.

### Atención: Precaución por rayos UV

Este dispositivo incorpora un emisor de rayos UV-C. Si se utiliza el equipo de manera no deliberada o si la carcasa sufre daños, podría producirse un escape de peligrosa radiación UV-C. La radiación UV-C puede provocar daños en los ojos y la piel, incluso en pequeñas dosis. La lámpara está equipada con un sistema de protección que la apagará al quitar la bayoneta (Fig. 8-X).

Cuando se enciende la lámpara, puede comprobarse su funcionamiento en condiciones de poca luz buscando el brillo de color azulado que emite la salida de la fuente (Fig. 1-A). No utilice el producto sin agua.

**Advertencia: No trate de utilizar el emisor de rayos UV-C si se ha sacado de la carcasa del dispositivo.**

**Advertencia: Antes de cambiar el emisor UV-C, el dispositivo deberá estar desenchufado de la red eléctrica.**

### Importante

Este dispositivo solo debe ser utilizado por un adulto responsable que sea capaz de utilizar el dispositivo de forma segura y que comprenda la naturaleza de los peligros asociados, o bajo la supervisión de este. Utilice este dispositivo y guárdelo lejos del alcance de los niños y de personas con capacidades físicas, sensoriales o mentales disminuidas.

### Advertencia: Seguridad y conexiones eléctricas

**1.1 ADVERTENCIA: DESCONECTE O DESENCHUFE DE LA RED ELÉCTRICA**

**TODOS LOS DISPOSITIVOS DEL ESTANQUE SIEMPRE QUE VAYA A METER LAS MANOS EN EL AGUA DURANTE CUALQUIER TRABAJO DE INSTALACIÓN, REPARACIÓN, MANTENIMIENTO O MANEJO DEL EQUIPO.**

- 1.2 Este filtro ha sido diseñado para su uso exclusivo en estanques de jardín. No utilice este filtro con ningún otro fin (p. ej., no utilice este filtro en piscinas, etc.). Si utiliza el producto para otra finalidad, podría provocar lesiones o daños en el producto. Esta bomba no debe utilizarse si hay personas en el agua.
- 1.3 Los dispositivos que presenten daños evidentes no deben utilizarse.
- 1.4 El tubo transparente del interior del equipo está fabricado en cristal de cuarzo y debe manejarse con cuidado durante los trabajos de instalación y mantenimiento. Recomendamos el uso de protección ocular y guantes adecuados.
- 1.5 No quite ni active la unidad de la bomba desde su carcasa exterior. El uso de la unidad sin su carcasa exterior podría invalidar la garantía.
- 1.6 **Importante:**  
Este producto se entrega con 10 metros de cable eléctrico de 3 conductores. El cable que se incluye con este producto no es resistente al agua y debe estar conectado a la red eléctrica dentro de un recinto seco y protegido de la intemperie conforme a lo estipulado en la normativa local.  
Las instalaciones permanentes a la red eléctrica deben cumplir las normativas nacionales y locales referentes a instalaciones eléctricas. Si tiene alguna duda sobre cómo realizar el cableado a la red eléctrica, consulte con un electricista cualificado o con alguna empresa eléctrica local.
- 1.7 Si se necesita un cable alargador, este deberá conectarse al extremo del cable de la unidad mediante un conector impermeable. La articulación debe colocarse en una carcasa impermeable adecuada. El cable alargador debe ser un cable con aislamiento de caucho de policloropreno de 3 conductores y 0,75 mm<sup>2</sup> (ref.: H05 RN-F) y estar cableado permanentemente a la red eléctrica, tal como se describe más arriba en el apartado 1.6.
- 1.8 **ADVERTENCIA:** Este equipo DEBE estar conectado a tierra y es fundamental que las conexiones se lleven a cabo conforme a los códigos siguientes:
  - MARRÓN - conectado
  - AZUL - neutral
  - VERDE/AMARILLO - tierra.

- 1.9 Los tendidos de cable expuestos deben estar colocados de forma adecuada y protegerse con un conducto blindado, sobre todo si existe riesgo de contacto con equipos de jardinería como cortacéspedes u horcas o con niños y animales domésticos.
- 1.10 No maneje el producto si el cable de conexión a la red eléctrica ha sufrido algún daño. El cable de conexión está siempre conectado y unido a la bomba y no puede cambiarse. Si el cable sufre algún daño, la unidad deberá eliminarse conforme a lo estipulado en la normativa local vigente.
- 1.11 DEBE acoplarse un interruptor diferencial de 30 mA como máximo a la red eléctrica.
- 1.12 Las instalaciones permanentes a la red eléctrica deben cumplir las normativas nacionales y locales referentes a instalaciones eléctricas. Si tiene alguna duda sobre cómo realizar el cableado a la red eléctrica, consulte con un electricista cualificado o con alguna empresa eléctrica local.
- 1.13 Nunca utilice el cable de conexión para levantar la unidad, ya que el equipo podría sufrir daños. Recomendamos conectar un cable de elevación al gancho de la base cuando el filtro esté instalado en aguas profundas. (Fig. 1-F). Si es necesario mover el producto, primero hay que apagarlo y sacarlo del agua con este cable.
- 1.14 ¡No encienda la bomba fuera del agua! El nivel del agua debe estar por encima del indicador UVC de la articulación esférica (Fig. 4A-L).
- 1.15 No active la unidad ni la deje en condiciones de congelación. (Consulte la sección "Almacenamiento durante el invierno").
- 1.16 Este producto no está indicado para temperaturas del agua superiores a 35 °C o inferiores a 0 °C.
- 1.17 Utilice exclusivamente accesorios que hayan sido diseñados para este producto. El uso de cualquier otro accesorio o pieza de repuesto podría invalidar la garantía.

## Protección contra sobrecarga

Para ayudarle a garantizar una larga vida del EasyClear y evitar que este sufra daños, la unidad dispone de un mecanismo automático de protección térmica contra sobrecarga. Este mecanismo apaga la bomba o la lámpara UV si alguno de los dos se calienta en exceso. Si ocurre esto, desconecte la unidad de la red de suministro. Si es la bomba la que ha activado el mecanismo de protección contra sobrecarga, busque la causa (normalmente, suele deberse a residuos que bloquean la entrada de la bomba u obstruyen el impulsor). Quite la obstrucción y espere 15 minutos a que la unidad se enfríe. Pasado

ese tiempo, vuelva a encenderla.

Si es la lámpara UV la que ha activado el mecanismo de protección contra sobrecarga (la bomba sigue funcionando pero la lámpara UV se apaga después de un breve tiempo de funcionamiento), póngase en contacto con el Servicio de Atención al Cliente de Hozelock en el teléfono +44 (0)121 313 1122.

Recuerde: La lámpara está equipada con un sistema de protección que la apagará al quitar la bayoneta (Fig. 8-S), por lo que solo podrá ver si la lámpara funciona en condiciones de poca luz buscando el brillo de color azulado que emite la salida de la fuente (Fig. 1-A) cuando el tubo de la bayoneta está bloqueado en su sitio.

**NOTA: PARA QUE LA UNIDAD VUELVA A PONERSE EN CONDICIONES DE FUNCIONAMIENTO, TIENE QUE HABER APAGADO EL SUMINISTRO DE ELECTRICIDAD DE LA RED.**

**PRECAUCIÓN:** Para evitar un riesgo de seguridad debido al reinicio accidental del mecanismo de protección térmica contra sobrecarga, este producto no debe utilizarse con un dispositivo de conexión externo, como por ejemplo un cronómetro, ni conectarse a un circuito que el suministro eléctrico encienda y apague periódicamente."

## Períodos de funcionamiento

Mantenga el filtro funcionando las 24 horas del día. Lo ideal es que funcione durante todo el año, pero como mínimo deberá utilizarse durante toda la temporada de alimentación de los peces (esto es, hasta que la temperatura del agua descienda por debajo de 10 °C y los peces dejen de alimentarse). Durante el invierno, el funcionamiento de la unidad mantendrá un nivel básico de bacterias útiles en el filtro biológico y contribuirá a evitar la congelación del estanque. No obstante, no debe dejar que la unidad se congele. Si apaga la unidad durante el invierno, lávela cuidadosamente antes de volver a realizar la filtración en primavera (consulte la sección 'Almacenamiento durante el invierno'). Nunca dé alimento a sus peces si no está utilizando la unidad.

## Antes del primer uso

La manipulación incorrecta de este producto durante el transporte podría ocasionar daños al tubo de cuarzo. Examine el tubo de cuarzo y la junta antes de la instalación.

Consulte la sección "Mantenimiento" para obtener información sobre cómo acceder al tubo de cuarzo y la lámpara.

## Instalación

**Posición** - Construya una plataforma sólida y horizontal para colocar encima el EasyClear™. La plataforma debería situarse a más de 300 mm debajo

de la superficie del agua. Para profundidades de 300 mm a 600 mm, utilice los tubos de extensión del conducto de la fuente (Fig. 1-K), que simplemente van atornillados uno al otro, de tal manera que se pueda dejar la fuente por encima de la superficie del agua. Para consultar las instrucciones generales de instalación, consulte la Fig. 4. Cuando se usa el sistema EasyClear en una cascada, se debe sumergir la unidad entera.

**Conexión** - Coloque la unidad al lado del estanque, y lleve el cable hasta el suministro de electricidad de la red. Procure dejar suficiente cable para permitir que el producto quede instalado en el lugar deseado en el estanque.

## Montaje de accesorios

### Fuente de campana (Fig. 1).

Coloque el soporte de la campana (B) en el cuerpo principal de la campana (C) y presione a fondo.

Coloque la campana (D) en el conjunto de la fuente y presione para instalarla en la posición central. Introdúzcala en el regulador de flujo de la fuente (Fig. 1-H).

### Conjunto para fuente de 2 y 3 gradas (Fig. 1-G).

Los discos plásticos (Fig. 1-E) que crean formas de fuente de 2 y 3 gradas simplemente se acoplan a presión sobre el conducto de la fuente. Presione el conducto de la fuente sobre el tubo de extensión del conducto de la fuente y luego enrósquelo sobre la salida de la fuente (Fig. 1-H).

## Funcionamiento con fuente solamente

**Nota: No se puede cerrar completamente la salida para cascada (Fig. 1-I). Esto es para permitir en todo momento**

**que el agua se desvíe hacia el estanque, aunque se tape el cabezal de la fuente, garantizando así la claridad del agua. Si el agua del estanque no se aclarara suficientemente, es posible que sea necesario abrir la salida para cascada con el fin de permitir que se desvíe una mayor cantidad de agua hacia el estanque.**

Los cabezales de fuente con 2 y 3 gradas se acoplan fácilmente sobre el conducto de la fuente. Utilizando la articulación esférica, se puede ajustar el ángulo de la fuente para que quede en posición vertical (Fig. 2-L). Es posible ajustar la firmeza de la articulación esférica (Fig. 2-M). En caso necesario, el cabezal de fuente de 2 gradas puede usarse para lograr una forma diferente, más alta que la que se produce con el de 3 gradas.

Para ajustar la altura de la fuente según sus necesidades, haga girar el regulador de flujo de la fuente (Fig. 3B-N). Para obtener la altura máxima de la fuente, haga girar el regulador de la cascada (Fig. 3A-O) hasta que se cierre.

La fuente de campana crea una atractiva 'campana de agua'. Para ajustar el tamaño de la campana según sus necesidades, haga girar el regulador de flujo de la fuente (Fig. 3B-N).

Instale la bomba, colóquela tal como se ha señalado anteriormente y active el sistema.

## Operación con fuente y cascada

Acople un tramo de manguera de 25 mm de la longitud apropiada (máximo 3 m) a la cola de la manguera del regulador de la cascada (Fig. 3A-Q), sujetándolo con un clip de manguera apropiado, y coloque el extremo de la salida de la manguera en la posición requerida.

Enrosque el regulador de la cascada sobre la salida para fuente que se halla en la parte delantera del equipo EasyClear™ (Fig. 3A-Q).

Una vez que la bomba esté funcionando, se puede ajustar de forma independiente el caudal de la cascada y la altura de la fuente con el regulador de la fuente (Fig. 3B-N) y el regulador de la cascada (Fig. 3A-O).

Instale la bomba, colóquela tal como se ha señalado anteriormente y active el sistema.

## Operación con cascada solamente

**(Fig. 4 para instrucciones generales de instalación)**

Enrosque el tapón ciego en la salida de la fuente (Fig. 3A-P).

Acople un tramo de manguera de 25 mm de la longitud apropiada (máximo 3 m) a la cola de manguera del regulador de la cascada (Fig. 3A-Q), sujetándolo con un clip de manguera apropiado, y coloque el extremo de la salida de la manguera en la posición requerida.

Enrosque el regulador de la cascada sobre la salida para fuente que se halla en la parte delantera del equipo EasyClear™ (Fig. 3A-Q).

Usando el regulador de la cascada, ajuste el caudal (Fig. 3A-O) según sus necesidades.

Instale la bomba, colóquela tal como se ha señalado anteriormente y active el sistema.

## Funcionamiento del aclarador ultravioleta (UVC)

El aclarador ultravioleta se activará automáticamente una vez que se haya conectado el suministro de electricidad de la unidad si el tubo de la bayoneta está correctamente bloqueado en su sitio.

Se puede constatar el buen funcionamiento de la lámpara del UVC si sale un brillo azulado de la salida de la articulación esférica (Fig. 1-A). Es posible que este brillo sólo sea visible en condiciones de poca luz.

Para cambiar la lámpara, consulte la sección de Mantenimiento.

## Mantenimiento

El sistema EasyClear™ de Hozelock Cyprio ha sido diseñado para permitir mantenimiento rápido y sencillo. Al igual que todos los equipos para estanque, de vez en cuando se hará necesario limpiar o cambiar algunas piezas.

**ADVERTENCIA:** Desconecte este producto de la red eléctrica y consulte la sección "Seguridad y conexiones eléctricas" antes de llevar a cabo ningún trabajo de mantenimiento.

### Cabezal de la fuente (Fig. 1-E)

Si se tapara el cabezal de la fuente, siga el procedimiento que se señala a continuación:

- 1 - Para sacar el cabezal de la fuente, coloque en la ranura una moneda o algo semejante y haga palanca cuidadosamente en el cabezal.
- 2 - Enjuáguelo con agua limpia y vuelva a montarlo.

### Espuma

En caso de reducción del flujo, siga el procedimiento que se señala a continuación:

- 1 - Presione los dos botones para soltar la tapa de la espuma (Fig. 5-R) y levántela (Fig. 6-S).
- 2 - Saque la espuma (Fig. 7-T). Nota: si se saca la unidad del estanque durante más de 20 minutos, es posible que deje de funcionar el sistema de filtración biológica. Enjuáguela cuidadosamente con el agua del estanque (no utilice agua del grifo).
- 3 - La tapa y la base del filtro también deben enjuagarse con agua del estanque (no utilice agua del grifo).
- 4 - Es posible que también sea necesario limpiar los medios biológicos y piedras (Fig. 7-U) en caso de que se hayan llegado a atascar. Si fuera necesario, los medios biológicos y las piedras deberán enjuagarse únicamente con agua del estanque.
- 5 - Vuelta a montar el filtro.

### Tubo de cuarzo

Si el agua del estanque continuara siendo verde, siga el procedimiento que se señala a continuación:

- 1 - Saque el tornillo de sujeción de la bayoneta (Fig. 8-V), hágalo girar y levante el tubo de la bayoneta (Fig. 8-W).
- 2 - Limpie el tubo de cuarzo. Tenga mucho cuidado al manipular el tubo de cuarzo. En zonas de aguas duras, el tubo de cuarzo puede recubrirse de sarro, lo que reduciría la eficiencia del sistema. Limpie el tubo de cuarzo con un trapo y un descalcificador suaves (como vinagre con agua) y enjuáguelo con agua antes de volverlo a instalar.
- 3 - Vuelva a montar el tubo de la bayoneta, enrósquelo y ponga el sistema a funcionar nuevamente (Fig. 8-X).

**¡Aviso importante!** Antes de reinstalar el tubo

de cuarzo, asegúrese de que no esté dañado.

### Cambio de la lámpara

Para cambiar la bombilla o si la bombilla no encendiera, siga el procedimiento que se señala a continuación:

Cambie la lámpara al principio de la temporada. Aunque es posible que siga brillando, puede que no emita radiación ultravioleta a un nivel útil. La eficiencia de funcionamiento del sistema EasyClear™ está relacionada con la intensidad de la luz ultravioleta que se emite. Dicha intensidad se reduce paulatinamente desde el primer día en que se encienda la bombilla. La lámpara del UVC tiene una vida útil de 12 meses, y se debe cambiar cuando se produzca alguna reducción significativa de la claridad del agua. Asegúrese de que esto se debe a una lámpara agotada y no a un filtro que necesita mantenimiento o a la suciedad/sarro que se acumula en la camisa de cuarzo. Los dos últimos factores pueden reducir enormemente la transmisión de luz ultravioleta al agua.

- 1 - Saque el tornillo de sujeción de la bayoneta (Fig. 8-V), hágalo girar y levante el tubo de la bayoneta (Fig. 8-W).
- 2 - Desenrosque el anillo de bloqueo del tubo de cuarzo (Fig. 9-Y-i). Sujete suavemente el tubo de cuarzo (Fig. 9-Y-ii), levántelo y sáquelo junto con las juntas tóricas (Fig. 9-Y-iii) y el anillo de bloqueo.
- 3 - Tire suavemente de la lámpara vieja para sacarla del soporte (Fig. 9-Z). Elimine la lámpara vieja conforme a lo estipulado en la normativa local y conecte una lámpara nueva.
- 4 - Deslice el tubo de cuarzo hacia abajo por la lámpara. Asegúrese de que las dos juntas tóricas de la base del tubo de cuarzo estén limpias y no contengan residuos.
- 5 - Deslice el anillo de bloqueo hacia abajo por el tubo de cuarzo y enrósquelo. Deberá enroscar el anillo de bloqueo hasta que el tope del mismo toque el tope de la carcasa e impida que se siga enroscando más.
- 6 - Vuelva a montar el tubo de la bayoneta, enrósquelo y ponga el sistema a funcionar nuevamente (Fig. 8-X).

**¡Aviso importante!** Es imprescindible montar el tubo de cuarzo correctamente para obtener un sello completamente impermeable.

Revise el estado de las dos juntas tóricas que se hallan en el conjunto del tubo de cuarzo (Fig. 9-Y-iii). Si alguna de ellas estuviera dañada, o no fuera posible garantizar la impermeabilidad del sello, póngase en contacto con el Servicio de Atención al Cliente de Hozelock.

### Filtro biológico

Generalmente, no es necesario sacar los medios

biológicos porque, si se limpiaran, podrían morir las colonias de bacterias que hacen inofensivos los desperdicios tóxicos. No obstante, si los medios biológicos llegaran a atascarse y debieran limpiarse, siga el procedimiento que se señala a continuación:

- 1 - Saque la espuma.
- 2 - Se puede sacar la bolsa de medios biológicos Kaldnes Biomedica (Fig. 7-U) para limpiarla.
- 3 - Lávela con agua del estanque.
- 4 - Vuelva a montar el filtro y póngalo en marcha nuevamente.

#### Para limpiar/cambiar el rotor

Si la bomba estuviera funcionando en seco o se redujera el flujo de agua, siga el procedimiento que se señala a continuación:

- 1 - Presione los dos botones para soltar la tapa de la espuma (Fig. 5-R) y levántela (Fig. 6-S).
- 2 - Saque la espuma (Fig. 7-T), los medios biológicos (Fig. 7-U) y la bolsa de piedras.
- 3 - Dé vuelta la unidad y saque los 4 tornillos de sujeción (Fig. 10-AA). Levante la base, dejándola fuera del estanque.
- 4 - Saque los 2 tornillos de sujeción (Fig. 10-BB) y levante el conjunto de la bomba, dejándolo fuera del estanque.
- 5 - Haga girar la cámara de la bomba hacia la izquierda (Fig. 10-CC) y déjela fuera del estanque. Ahora se puede sacar el rotor para limpiarlo o cambiarlo por otro (Fig. 10-DD).

**¡Importante! Tenga sumo cuidado de no dejar caer ninguno de los componentes pequeños.**

**Consulte la Fig. 10A para el montaje de los rotores de los sistemas EasyClear™ 6000 y EasyClear™ 7500 y la Fig. 10B para montar el rotor del sistema EasyClear™ 9000.**

- 6 - Vuelva a montar la bomba e instale los 2 tornillos de sujeción (Fig. 10-BB).
- 7 - Vuelva a conducir el cable (Fig. 10-EE).
- 8 - Vuelva a montar el filtro y póngalo en marcha nuevamente.

### Mantenimiento de la bomba durante todo el año

Se debe realizar una rápida revisión diaria para comprobar que la bomba rinda satisfactoriamente.

Una vez por semana, se debe quitar la carcasa exterior y el cabezal de la fuente con arreglo a las indicaciones de mantenimiento general.

En función de las condiciones del agua del estanque, es posible que sea necesario hacer una limpieza más a menudo.

Una vez al año, se debe desmontar completamente la unidad, incluyendo el conjunto del rotor, tal como se señala en las notas de mantenimiento general, y lavar

todos

### Almacenamiento durante el invierno

Cuando la unidad no se esté utilizando, hay que sacarla del estanque, lavarla y limpiarla a fondo, secarla y guardarla en un lugar seco y protegido de las heladas. Guarde siempre el equipo con la espuma y la tapa de espuma quitadas para garantizar una ventilación y secado óptimos.

### Contacto/piezas de repuesto

Para obtener asesoramiento y piezas de repuesto, póngase en contacto con el servicio de atención al consumidor de Hozelock Cyprio en el teléfono 0121 313 1122 o visite la web [www.hozelock.com](http://www.hozelock.com)

### Aprovisionamiento y densidad de peces

En condiciones normales, el sistema EasyClear™ permite contar con hasta 1,44 m (EasyClear™ 6000 & EasyClear™ 7500) o 2,16 m (EasyClear™ 9000) de peces. Introduzca los peces paulatinamente durante las primeras semanas hasta un 20% del nivel máximo recomendado, aumentando al 50% después de seis meses. Este equilibrio favorecerá el crecimiento de los peces

### Garantía de Agua Clara de Hozelock Cyprio

**LE GARANTIZAMOS AGUA CLARA O LA DEVOLUCIÓN DE SU DINERO.**

**NOTA: EN ALGUNOS CASOS PUEDE QUE EL AGUA TARDE HASTA 6-8 SEMANAS EN PONERSE CLARA.**

Esta garantía tiene validez por 12 meses después de la adquisición del producto, con las siguientes condiciones:

- Que se hayan seguido las instrucciones de instalación y funcionamiento.
- Que se use UN equipo de las dimensiones apropiadas y con el nivel de aprovisionamiento apropiado para su estanque.
- Que haya realizado una consulta a nuestra línea de ayuda (0121 313 1122) con la suficiente antelación como para tratar de corregir el problema.
- Que se haya devuelto el producto sin que haya sufrido ningún daño.

La devolución de dinero puede ser autorizada solamente por Hozelock Cyprio, y se lleva a cabo únicamente en el lugar de adquisición original y únicamente por el valor de compra del sistema EasyClear™. Se exigirá prueba de compra. Tenga en cuenta que la Garantía de Agua Clara no cubre la pérdida de claridad del agua cuando la turbidez es causada por algas filamentosas, y no por algas de agua verde.

## Garantía del producto por 3 años

Si este producto, excluyendo el conjunto del rotor, la espuma del filtro y la lámpara ultravioleta, dejara de funcionar correctamente en un plazo inferior a los 3 años desde la fecha de compra, esta será reparado o reemplazado a nuestra elección sin coste alguno, a menos que, a nuestro juicio, el equipo haya sufrido algún daño o se haya usado de un modo incorrecto. Esta garantía no cubre responsabilidad alguna por daños provocados por accidentes, o por instalaciones o usos inadecuados.

La responsabilidad queda limitada a la sustitución de la unidad defectuosa. Esta garantía es intransferible. No afecta a sus derechos legales.

Para aprovechar las ventajas de la garantía, primero póngase en contacto con el servicio de atención al cliente de Hozelock. Allí le podrán solicitar que envíe el filtro junto con la prueba de compra directamente a la dirección indicada a continuación.

### TODO DAÑO CAUSADO POR HACER FUNCIONAR EL EQUIPO EasyClear™ EN SECO O EXPONERLO A HELADAS INVALIDA LA GARANTÍA.

## Investigación de averías

Antes de llevar a cabo ningún trabajo de rectificación del funcionamiento del sistema EasyClear™, lea las secciones sobre seguridad que contienen estas instrucciones. Es posible que también sea necesario consultar la sección sobre mantenimiento que figura en estas instrucciones.

### FLUYE POCO AGUA DE LA BOMBA

- a – Es posible que los filtros de espuma estén atascados y necesiten una limpieza.
- b - Asegúrese de que la rejilla exterior esté limpia.
- c - Quite cualquiera obstrucción y ajuste los controles de flujo.
- d - Compruebe que la pestaña blanca que se halla en el interior de la cámara de la bomba pueda desplazarse libremente.

e - Asegúrese de que el rotor esté limpio y pueda desplazarse libremente.

### EXHIBICIÓN DEFECTUOSA DE LA FUENTE

- a – Mismo procedimiento que el descrito anteriormente.
  - b - Limpie el cabezal de la fuente.
- ### NO FUNCIONA LA LÁMPARA ULTRAVIOLETA
- a - Asegúrese de que la alimentación eléctrica esté conectada.
  - b - Revise el fusible, el disyuntor de corriente residual y el cableado.
  - c - Cambie la lámpara.
  - d - Es posible que se haya disparado el mecanismo de desconexión automática en caso de sobrecarga; consulte la sección Protección contra sobrecarga.

### NO FUNCIONA LA BOMBA

- a - Asegúrese de que la alimentación eléctrica esté conectada.
- b - Revise el fusible, el disyuntor de corriente residual y el cableado.
- c - Compruebe que no haya ninguna obstrucción en el rotor.
- d - Es posible que se haya disparado el mecanismo de desconexión automática en caso de sobrecarga; consulte la sección Protección contra sobrecarga.
- e - Asegúrese de que la rejilla exterior esté limpia.
- f – Compruebe que no haya entrado agua al área de la lámpara.



Los aparatos eléctricos no deben mezclarse con los residuos domésticos generales, utilice centros de recogida independientes. Para obtener más información sobre cómo deshacerse de sus aparatos eléctricos viejos, póngase en contacto con su ayuntamiento. Si se desechan aparatos eléctricos en vertederos o basureros, se corre el peligro de que las sustancias peligrosas puedan filtrarse al agua subterránea e introducirse en la cadena alimenticia, perjudicando su salud y bienestar. En la UE, al cambiar aparatos usados por equipos nuevos, el vendedor tiene la obligación legal de recibir su equipo antiguo, de forma gratuita, para que sea eliminado.

## Información técnica

Número de pieza	1764	1766	1768
Modelo	6000	7500	9000
Voltios	230V 50Hz	230V 50Hz	230V 50Hz
Potencia UVC (W)	9	11	13
Potencia total (W)	40	43	55
Tamaño máximo del estanque sin peces	6000 ltr (1319 gal)	7500 ltr (1648 gal)	9000 ltr (1978 gal)
Tamaño máximo del estanque con peces	4000 ltr (879 gal)	5000 ltr (1099 gal)	6000 ltr (1319 gal)
Caudal máximo, QMax, (lph)	1700 lph (374 gph)	1700 lph (374 gph)	2850 lph (627 gph)
Altura máxima, Hmax, (m)	2m	2m	2.3m
Grado IP	IPX8	IPX8	IPX8
Temperatura máxima del agua Tmax, (°C)	35°C	35°C	35°C

\* Misurata in condizioni controllate



Tack för att du valde en Hozelock kvalitetsprodukt, du kan försäkra dig om många års pålitlig användning med denna produkt.

## INSTRUKTIONER FÖR INSTALLATION OCH DRIFT



**LÄS DESSA INSTRUKTIONER NOGGRANT INNAN DU FÖRSÖKER INSTALLERA PRODUKTEN.**

**ATT INTE IAKTTA FÖLJANDE INFORMATION KAN LEDA TILL PERSONSKADOR, SKADOR PÅ PRODUKTEN ELLER FÖRLUST AV FISK.**

**BEHÅLL DESSA INSTRUKTIONER FÖR FRAMTIDA REFERENS.**

Hozelock Cyprio EasyClear™ fontän och vattenfallspump är utformad för användning under vatten utomhus i dammar. Det är en integrerad enhet som innehåller mekanisk och biologisk filtrering med ett Ultra Violet rengöring och en fontän och vattenfall.

### Observera: UV-varning

Den här apparaten innehåller en UV-C sändare. Oavsiktlig användning av apparaten eller skador på höljet kan leda till läckage av farlig UV-C strålning. UV-C strålning kan, även i små doser, orsaka skador på ögon och hud. Lampan är försedd med en förregling som kommer att stänga av lampan när bajonettsockeln tas bort (fig 8-X).

Vid påslagning kan lampans funktion kontrolleras genom att titta efter ett blåaktigt sken från fontänens utlopp (Figur 1-A). Använd inte produkten utan vatten.

**Varning: Försök inte använda UV-C sändaren när den är borttagen från enhetens hölje.**

**Varning: Apparaten måste vara bortkopplad från strömförsörjningen innan du byter ut UV-C sändaren.**

### Viktigt

Apparaten får endast användas av, eller under överseende av en ansvarig vuxen som är kapabel att använda apparaten på ett säkert sätt och som förstår riskerna. Använd och förvara apparaten utom räckhåll för barn och personer med nedsatt fysisk, sensorisk eller psykisk förmåga.

### Varning: Säkerhet & Elektriska anslutningar

**1.1 VARNING: TA ALLTID UT STICKKONTAKTEN ELLER KOPPLA BORT ALLA APPARATER I DAMMEN FRÅN ELNÄTET INNAN DU STOPPAR NER HÄNDERNA I VATTNET DÅ UTRUSTNINGEN INSTALLERAS, REPARERAS ELLER HANTERAS PÅ ANNAT SÄTT.**

- 1.2 Detta filter har utformats för användning endast i trädgårdsdammar. Använd inte filtret för något annat ändamål (t. ex. använd inte filtret i simbassänger, etc). Användning av produkten för något annat ändamål kan leda till personsador eller skador på produkten. Denna pump får inte användas när någon är i vattnet.
- 1.3 Apparater som är uppenbart skadade får inte användas.
- 1.4 Det transparenta röret inuti enheten är tillverkad av kvartsglas och försiktighet måste iaktas vid installation och underhåll. Vi rekommenderar användning av ögonskydd och skyddshandskar.
- 1.5 Ta inte bort eller använd pumpen utan det yttre höljet. Att använda enheten utan dess yttre hölje kan ogiltigförklara garantin.
- 1.6 **Viktigt:**  
Den här produkten levereras med 10m 3-ledarkabel. Medföljande kontaktdon med denna produkt är inte vattentät och det måste vara ansluten till elnätet inuti en torr väderskyddad inkapsling enligt lokala föreskrifter.  
Permanent installationer till elnätet (fast kablage), måste överensstämna med nationella och lokala installationsföreskrifter. Om du är tveksam om kopplingen till elnätet, kontakta en behörig elektriker eller den lokala energimyndigheten.
- 1.7 Om en förlängningskabel krävs, ska denna anslutas till slutet av enhetens kabel med hjälp av en vädersäkrad kontaktanslutning. Sammankopplingen måste placeras i en lämpligt väderskyddat hölje. Förlängningskabeln bör vara en 3-ledad 0.75mm<sup>2</sup> Polycloroporangummiisolerad kabel (ref: HO5 RN-F) och permanent ansluten till eluttaget så som beskrivet ovan på punkt 1.6.
- 1.8 **WARNING:** Den här apparaten måste jordas och är det viktigt att anslutningarna görs med följande kod:
  - BRUN - fas
  - BLÅ -neutral (nolla)
  - GRÖN/GUL - jord.
- 1.9 Exponerade kabeldragningar bör vara klokt placerade och skyddade av armerad ledning, särskilt om det finns risk för kontakt med trädgårdsutrustning såsom krattor/grepar och gräsklippare eller barn och husdjur.
- 1.10 Använd inte denna produkt om nätsladden har skadats på något sätt. Matningskabeln är permanent ansluten och förseglad mot pumpen och kan inte bytas ut. Om kabeln är skadad bör enheten kasseras enligt lokala föreskrifter.

- 1.11 En 30 mA (max) jordfelsbrytare MÅSTE monteras mot elnätet.
- 1.12 Permanenta installationer till elnätet (fast kablage), måste överensstämma med nationella och lokala installationsföreskrifter. Om du är tveksam om kopplingen till elnätet, kontakta en behörig elektriker eller den lokala energimyndigheten.
- 1.13 Använd inte elkabeln för att lyfta eftersom det kan orsaka skada på enheten. Vi rekommenderar montering av lyftanordningskabeln till krokarna på basen, när filtret är installerat i djupt vatten. (fig 1-F). Om enheten behöver flyttas, måste den först stängas av och lyftas upp ur vattnet med denna kabeln..
- 1.14 Slå inte på pumpen utanför vattnet! Vattennivån ska vara ovanför UVC-indikatorn vid kulle (fig 4-L).
- 1.15 Använd och lämna inte enheten i förhållanden med frysrisk. (Se avsnittet, "Vinterförvaring").
- 1.16 Den här produkten är inte lämplig för vattentemperaturer över 35°C eller under 0°C.
- 1.17 Använd endast tillbehör som har utformats för användning med den här produkten. Användning av alla andra tillbehör eller reservdelar kan ogiltigförklara garantin.

## Överspänningskydd

För att säkerställa att din EasyClear har lång livslängd och för att förhindra skador, är den utrustad med ett automatiskt termiskt överbelastningskydd. Detta slår från strömmen till pumpen eller UV-lampan om någon av dem överhettas. Om detta inträffar, slår av strömmen på huvudbrytaren till enheten. Om det är pumpen som har aktiverat överbelastningskyddet, kontrollera orsaken. (Det är oftast skräp blockerar inloppet till pumpen eller hindrar pumphjulet) Ta bort hindret och vänta i 15 minuter för att enheten ska svalna. Slå sedan på den igen.

Om det är UV-lampan som aktiverar överbelastningskyddet, (dvs pumpen körs fortfarande men UV-lampa slocknar efter en kort tid), kontakta Hozelock kundtjänst kundtjänst: +44 (0)121 313 1122.

Kom ihåg: Lampan är försedd med en föreggling som kommer att stänga av lampan när bajonettsockeln tas bort (Fig 8-X), så att du kan bara se om lampan arbetar under mörka förhållanden, genom att leta efter ett blåaktigt sken från fontänens utlopp (Figur 1-A) med bajonettfattning röret i låst läge.

**NOTERA: DU MÅSTE SLÅ AV STRÖMMEN INNAN ENHETEN ÅTERSTÄLLS.**

**WARNING: För att undvika fara till följd av oavsiktlig återställning av termiskt överbelastningskydd, får denna produkt inte användas med en extern växlingsenhet, t.ex. en timer, eller anslutas till**

**en krets som regelbundet slås på och av dens elektricitet."**

## Perioder för drift

Håll filtret i drift 24 timmar per dag. Idealiskt bör filtret köras året runt men åtminstone under utfodringssäsongen (dvs tills vattentemperaturen sjunker under 10 °C). Körs pumpen och filtret på vintern, upprätthåller detta en grundläggande nivå av nyttiga bakterier i biofiltret och hjälper till att förhindra att dammen fryser igen. Dock får inte enheten tillåtas att frysa. Om du stänger av pumpen på vintern, tvätta då filtret noggrant innan du återupptar filtrering till våren (se "Vinterförvaring"). Mata aldrig dina fiskar när filtret inte är i användning.

## Innan du använder enheten första gången

Olämplig hantering av denna produkt under transporten kan resultera i skada på kvarts tub. Vänligen kontrollera kvartsröret och förseglingen innan installation.

Se avsnittet "Underhåll" för instruktioner om hur du kommer åt kvartsröret och lampan.

## Installation

**Placering** - Bygg en kraftig och plan yta att placera din EasyClear™ på. Plattformen bör vara mer än 300 mm (12 ") under vattennivån. För djup mellan 300 mm och 600 mm använd fontänens Stamförlängningar (Fig 1-K), som skruvas ihop, för att göra det möjligt för fontänen att vara ovanförvattenytan. För allmän installation se Fig 4. När du använder EasyClear för vattenfall ska hela enheten vara under vattnet

**Anslutning** - Placera enheten bredvid dammen och dra kabeln till strömförsörjningen. Se till att du har tillräckligt med kabel för att placera produkten på önskad plats i dammen.

## Montering av tillbehör

**Klockfontän (Fig 1).**

Hitta klockstödet (B) på huvuddelen (C) och tryck den ända in. Sätt dit klockan (D) och tryck in i centralt läge. Koppla in denna i fontänens flödesreglage (Fig 1-H).

**2 och 3-dels fontänutlopp (Fig 1-G).**

Plastskivorna (Fig 1-E) för att skapa 2 och 3-dels vattenutlopp knäpps enkelt fast på fontänen. Tryck fontänstammen i fontänens förlängningssegment och skruva dit fontänens utlopp (Figur 1-H).

## Att använda endast fontän

**Observera: Det är inte möjligt att helt stänga av vattenfalllets utlopp (Fig 1-I). Detta är för att låta vatten alltid kan rinna tillbaka ut i dammen även om fontänhuvudet blir igensatt för att garantera**

**fortsatt klart vatten. Om dammens vatten inte renas tillräckligt kan det vara nödvändigt att låta mer vatten släppas ut i dammen att öppna vattenfallets utlopp.**

2- Och 3-dels hontänduvudena knäpps fast på fontänen. Fontänen vinkel kan justeras till vertikalt läge med kulleleden (Figur 2-L). Åtdragningen av kulleleden kan justeras (Fig 2-M). Om det behövs, kan 2-dels huvudet användas för att uppnå ett alternativt och högre mönster än 3-dels huvudet.

Fontänen höjd kan justeras så att den passar dina behov genom att vrida på fontänens flödesregulator (Fig 3B-N). Vrid justeringen för Vattenfall (fig 3A-O) till stängt läge för att erhålla maximal höjd på fontänen.

Klock-fontänen skapar en dekorativ 'vattenklocka'. Klockans storlek kan justeras så att den passar dina behov genom att vrida på fontänens flödesregulator (Fig 3B-N).

Installera och placera pumpen som tidigare beskrivits och slå på.

## Att använda både Fontän och Vattenfall

Fäst en lämplig längd (3m max) på en 25 mm (1 ") slang till vattenfallsreglaget (Fig 3A-Q) och säkra med en lämplig slang och placera utloppsändan av slangen i önskat läge.

Skruva fast vattenfallreglaget på vattenfallets utsläpp på EasyClear™s framsida (fig 3A-Q).

När pumpen är igång kan flödet av vattenfallet och höjden på fontänen och vattenfallets flöde oberoende justeras med fontänreglaget (Fig 3B-N) och vattenfallsreglaget (Fig 3A-O).

Installera och placera pumpen som tidigare beskrivits och slå på.

## Att använda endast vattenfall

**(Figur 4-B för allmän installations guide)**

Skruva fast pluggen i fontänens utlopp (fig 3A-P).

Fäst en lämplig längd (3m max) på en 25 mm (1 ") slang till vattenfallsreglaget (Fig 3A-Q) och säkra med en lämplig slang och placera utloppsändan av slangen i önskat läge.

Skruva fast vattenfallreglaget på vattenfallets utsläpp på EasyClear™s framsida (fig 3A-Q).

Justera flödet med hjälp av vattenfallsreglaget, (Fig 3A-O), så att den passar dina behov.

Installera och placera pumpen som tidigare beskrivits och slå på.

## UVC funktion

UVC slås automatiskt på när enheten har anslutits till elnätet om bajonetröret är korrekt på plats.

Vid påslagning kan lampan kontrolleras genom att

titta efter ett blåaktigt sken från fontänens utlopp (Figur 1-A). Observera att detta endast kan bli synligt i svagt ljus.

Se avsnittet Underhåll för lampbyte.

## Underhåll

The Hozelock Cyprio EasyClear™ har utformats för att möjliggöra snabb och enkelt underhåll. Som med all damm-utrustning, blir det ibland nödvändigt att rengöra eller byta ut delar.

**WARNING: Koppla ur produkten från eluttaget och läs avsnittet "Säkerhet & elektriska anslutningar" innan något underhåll utförs.**

### Fontänhuvudet (Fig 1-E)

Följ proceduren nedan om fontänens huvud är blockerat:

- 1 - Placera ett mynt eller liknande i spåret och bänd försiktigt lös huvudet.
- 2 - Skölj med rent vatten och sätt ihop igen.

### Skumplast

Följ proceduren nedan om flödet verkar minska:

- 1 - Lossa skumplastskyddet genom att trycka på de två knapparna (Fig 5-R) och lyft av locket (Fig 6-S).
- 2 - Ta bort skumplasten (Fig 7-T). Obs! Om enheten är utanför dammen i mer än 20 minuter kan det biologiska filtret sluta fungera. Skölj noga i dammvattnet (använd inte kranvatten).
- 3 - Skumplastskyddet och basen bör också sköljas i dammvattnet. (använd inte kranvatten).
- 4 - Det kan också vara nödvändigt att rengöra biomediat och stenarna (Fig 7-U) om de är igensatta. Om det är nödvändigt bör biomediat och stenarna endast sköljas i dammens vatten.
- 5 - Sätt tillbaka filtret.

### Kvartsrör

Följ proceduren nedan om din damm är grön:

- 1 - Ta bort bajonettsockelns låsskruv (Fig 8-V), vrid och lyft bort bajonetröret (Fig 8-W).
- 2 - Rengör kvartsröret. Var extra försiktig när du hanterar den kvartsröret. I områden med hårt vatten kan kvartsröret bli täckt av kalk, vilket minskar effektiviteten. Röret kan rengöras med en mjuk trasa och ett mildt avkalkningsmedel (såsom vinäger och vatten), skölj i vatten innan ditsättning.
- 3 - Sätt ihop bajonetröret samt skruven och starta upp (Fig 8-X).

**Varning! Säkerhetsställ att kvartsröret inte är skadat innan ditsättning.**

### Byte av lampa

Följ proceduren nedan om lampan behöver bytas eller inte tänds:

Byt lampa i början av säsongen. Även om lampan lyser kanske den inte ger ut någon

användbar UV-strålning. Hur väl EasyClear™ fungerar är relaterad till styrkan av den UV-strålning produceras. Detta kommer att långsamt sjunka från den dag din lampa slås på. En UVC-lampa har en livslängd på 12 månader. Du behöver för att byta lampa när det är en betydande minskning av vattnets klarhet. Se till att detta beror på att lampan gått ut och inte ett dåligt underhållet filter eller ett smutsigt/kalkbelagt kvartsrör. Båda kan avsevärt minska UV-strålningen i vattnet.

- 1 - Ta bort bajonettsockelns låsskruv (Fig 8-V), vrid och lyft bort bajonetröret (Fig 8-W).
- 2 - Skruva loss kvartsrörets låskragen (Fig 9-Y-i). Håll försiktigt kvartsröret (Fig 9-Y-ii), lyft och ta bort det tillsammans med dess o-ringar (Fig 9-Y-iii) och låskragen.
- 3 - Ta ut den gamla lampan genom att försiktigt dra det från dess fäste (Fig 9-Z). Kassera den gamla lampan enligt lokala föreskrifter och montera den nya lampan.
- 4 - Skjut försiktigt ner kvartsröret över lampan. Se till att de två o-ringarna vid basen av kvartsröret är rena och fria från skräp.
- 5 - Skjut ner låskragen över kvartsröret och skruva fast. Du bör skruva ner tills stoppet på låskragen träffar stoppet på huset, så att kragen inte kan skruvas ner längre.
- 3 - Sätt ihop bajonetröret samt skruven och starta upp (Fig 8-X).

**Varning!** Kontrollera att kvartsröret är korrekt monterat så att den ger ett helt vattentätt skydd.

Kontrollera de två o-ringarna på kvartsröret (Fig 9-Y-iii). Om dessa är skadade på något sätt eller du kan inte garantera en vätskesäker tätning, kontakta Hozelock kundtjänst.

#### **Biologiskt filter**

Normalt är det inte nödvändigt att ta bort biomediat då rengöring kan döda de bakteriekolonier som oskadliggör giftigt avfall. Om biomediat emellertid blir oroligt igentäppt och kräver rengöring ska du följa dessa instruktioner.

- 1 - Ta bort skumplasten.
- 2 - Påsen med Kaldnes Biomediat (Fig 7-U) kan därefter tas bort för rengöring.
- 3 - Tvätta i dammens vatten.
- 4 - Sätt ihop filtret och starta upp.

#### **Rotor rengöring/byte**

Om inget vatten pumpas in eller flödet minskas, ta bort kvartsröret och lampan som beskrivs ovan, följ sedan proceduren nedan.

- 1 - Lossa skumplastskyddet genom att trycka på de två knapparna (Fig 5-R) och lyft av locket (Fig 6-S).
- 2 - Ta bort skumplasten (Fig 7-T), biomediat (Fig 7-U) och stenspäden.

3 - Vänd på enheten och ta bort de 4 skruvarna (Fig 10-AA) och lyft på basen

4 - Ta bort de 2 skruvarna (Fig 10-BB) och lyft ut pumpen.

5 - Vrid pumphuset moturs (Fig 10-CC) och lyft. Rotorn kan nu dras ut för Rengöring eller byte ( Fig 10-DD).

**Viktigt! Var extra försiktig så att du inte tappar någon av de små komponenterna.**

**Se Fig EasyClear™ 10A för ihopsättning av EasyClear™ 6000 och EasyClear™ 7500 rotorerna och and Fig 10B for ihopsättning av EasyClear 9000 rotorn.**

6 - Montera ihop pumpen och de 2 skruvarna (Fig 10-BB).

7 - Koppla in kabeln (Fig 10-EE).

8 - Sätt ihop filtret och starta upp.

## Året runt Pumpvård

En snabb daglig kontroll bör utföras för att säkerställa att pumpen fungerar tillfredsställande.

En gång i veckan - Ta bort det yttre höljet och fontänhuvudet i enlighet med allmänt underhåll anvisningarna.

Beroende på dammens vattenförhållanden, kan rengöring behövas oftare.

En gång per år - helt isår enheten inklusive Rotor som beskrivs i de allmänna underhållsanvisningarna och rengör alla delar med rent vatten.

Byt slitna eller skadade delar.

## Vinterförvaring

När du inte använder enheten ska den tas bort, tvättas och rengöras noggrant, torkas och lagras i en torr frostsäker plats. Förvara alltid enheten med locket av för att garantera tillräcklig ventilation och torkning.

## Kontakt / reservdelar

För produktrådgivning och reservdelar kontakta Hozelock Cyprio kundtjänst på telefon 0121 313 1122 eller besök [www.hozelock.com](http://www.hozelock.com)

## Fiskmängd

Under normala förhållanden stödjer EasyClear™ fiskar upp till 1.44m (EasyClear™ 6000 & EasyClear™ 7500) eller 2.16m (EasyClear™ 9000). Introducera fisken långsamt under de första veckorna, upp till 20% av den maximala rekommenderade nivån. Öka sedan till 50 procent efter sex månader. Balansen möjliggör för fiskens tillväxt.

## Hozelock Cyprio Clearwater garanti

**VI GARANTERAR DIG KLART VATTEN ELLER PENGARNA TILLBAKA.**

## NOTERA: I VISSA FALL KAN DET TA UPP TILL 6-8 VECKOR FÖR DITT VATTEN ATT BLI KLART.

Denna garanti löper i 12 månader efter köp, under förutsättning att

- Du har följt de instruktioner för installation och drift.
- Du använder utrustning med rätt storlek och rätt mängd.
- Du kontaktar vår kundtjänst (0121 313 1122) tillräckligt tidigt vid eventuella problem, för att rätta till dessa.
- Produkten måste returnerats oskadad.

Återbetalning kan endast beviljas av Hozelock Cyprio och görs endast på inköpsstället och på värdet av köpeskillingen för EasyClear™. Ett inköpsbevis krävs. Lägg märke till att klarvattengarantin inte täcker förlust av vattnets klarhet på grund av sjögräs, i motsats till förlust orsakad av grönalger.

### 3 års garanti

Om denna enhet, exklusive Rotor, Filterskum & UV-lampa blir oanvändbar inom 3 år från det datum då du köpte den kommer den att repareras eller bytas ut enligt våra anvisningar utan kostnad, såvida vi har konstaterat att enheten inte skadats eller missbrukats. Ansvar accepteras inte för skador till följd av olycka, felaktig installation eller användning.

Ansvar är begränsat till utbyte av den felaktiga enheten. Denna garanti kan inte överlåtas. Detta påverkar inte dina lagstadgade rättigheter.

För att få fördelarna med denna garanti kontakta Hozelock Cyprios kundtjänst som kan begära att produkten skickas tillsammans med kvitto direkt till adressen nedan.

### SKADOR SOM ORSAKATS GENOM ATT ANVÄNDA EasyClear™ UTAN VATTEN ELLER I FROST UPPHÅVER GARANTIN.

### Felsökning

Var vänlig läs säkerhetsavsnittet i dessa instruktioner

innan du försöker åtgärda något på en EasyClear™! Det kan också vara nödvändigt att hänvisa till avsnittet om underhåll i dessa instruktioner.

### LÅGT FLÖDE FRÅN PUMPEN

- a - skumplasten kan vara blockerad och behöver rengöras
- b - Kontrollera den yttre buren är ren.
- c - Rensa eventuella blockeringar och justera flödesreglagen.
- d - Kontrollera att den vita vippan i pumphuset rör sig fritt.
- e - Kontrollera att rotorn är ren och kan röra sig fritt.

### DÅLIG FONTÄNBILD

- a – Som ovan
- b - Rengör fontänens huvud.

### UV-LAMPAN FUNGERAR INTE

- a - Kontrollera strömmatningen.
- b - Kontrollera säkring, RCD och kablage.
- c - Byt ut lampan.
- d - Överbelastningsskyddet kan ha slagits på- se avsnittet om överbelastningsskydd.

### PUMPEN FUNGERAR INTE

- a - Kontrollera strömmatningen.
- b - Kontrollera säkring, RCD och kablage.
- c - Kontrollera rotorn inte är igensatt.
- d - Överbelastningsskyddet kan ha slagits på- se avsnittet om överbelastningsskydd.
- e - Kontrollera den yttre buren är ren.
- f – kontrollera om vatten trängt in i området vid lampan.



Kassera inte elektrisk utrustning som sorterat kommunalt avlopp, använd separata återvinningsstationer. Kontakta din kommun för information om återvinningsstationerna. Om elektriska hushållsapparater kasseras på soptippar kan farliga ämnen läcka ut i grundvattnet och komma in i livsmedelskedjan samt skada din hälsa och ditt välbefinnande. Inom EU, vid byte av gamla maskiner mot nya, är återförsäljaren juridiskt skyldig att avgiftsfritt ta tillbaka din gamla apparat för omhändertagande.

## Teknisk information

Artikelnummer	1764	1766	1768
Modell	6000	7500	9000
Volt	230V 50Hz	230V 50Hz	230V 50Hz
UVC effekt (W)	9	11	13
Total effekt (W)	40	43	55
Max dammstorlek utan fisk	6000 ltr (1319 gal)	7500 ltr (1648 gal)	9000 ltr (1978 gal)
Max dammstorlek med fisk	4000 ltr (879 gal)	5000 ltr (1099 gal)	6000 ltr (1319 gal)
Max vattenflöde, QMax, (lpt)	1700 lph (374 gph)	1700 lph (374 gph)	2850 lph (627 gph)
Max Head, Hmax, (m)	2m	2m	2.3m
IP-klassning	IPX8	IPX8	IPX8
Max vattentemperatur Tmax,, (°C)	35°C	35°C	35°C

\* Mätt under kontrollerade förhållanden

Kiitos, että valitsit Hozelock-laatutuotteen. Voit olla varma, että tämä tuote toimii luotettavasti monen vuoden ajan.

## ASENNUS- JA KÄYTTÖOHJEET



**LUE NÄMÄ OHJEET HUOLELLISESTI ENNEN ASENNUKSEN ALOITTAMISTA.**

**SEURAAVIEN HUOMAUTUSTEN NOUDATTAMISEN LAIMINLYÖNTI SAATTAA JOHTAA LOUKKAANTUMISEEN, TUOTTEEN VAURIOITUMISEEN TAI KALOJEN MENETYSKSEEN.**

**SÄILYTÄ NÄMÄ OHJEET MYÖHEMPÄÄ TARVETTA VARTEN.**

Hozelock Cyprio EasyClear™ suihkulähde- ja vesiputospumppu on suunniteltu toimimaan veden alla ulkoaltaissa. Laitteeseen on integroitu mekaaninen ja biologinen suodatin, ultravioletiselkeytin ja suihkulähde ja vesiputous.

### Huomio: UV-huomautus

Tämä laite sisältää UV-C-lähtetimen. Laitteen väärä käyttö tai kotelon vaurioituminen voi johtaa vaarallisen UV-C-säteilyn vapautumiseen. UV-C-säteily voi pieninäkin annoksina aiheuttaa silmä- ja ihovaurioita. Lamppu on varustettu lukituksella, joka sammuttaa lampun, jos pikalukitusruuvi poistetaan (kuva 8-X).

Kun lamppu on päällä, sen toimintakunto voidaan tarkistaa katsomalla, näkykö suihkulähteen lähtöaukossa sinertävä hehku (kuva 1-A). Älä käytä tuotetta kuivana.

**Varoitus: Älä yritä käyttää UV-C-lähetintä, kun se on poistettu laitekotelosta.**

**Varoitus: Laite on irrotettava virtalähteestä ennen UV-C-lähtetimen vaihtamista.**

### Tärkeää

Tätä laitetta saa käyttää ainoastaan vastuullinen aikuinen (tai hänen valvonnassa oleva henkilö), joka pystyy käyttämään laitetta turvallisesti ja joka ymmärtää siihen liittyvät vaarat. Käytä ja säilytä tämä laite poissa lasten ja fyysisesti, aistillisesti tai henkisesti rajoittuneiden henkilöiden ulottuvilta.

### Varoitus: Turvallisuus ja sähköliitännät

**1.1 VAROITUS: IRROTA AINA KAIKKI ALTAASSA OLEVAT LAITTEET VIRTALÄHTEESTÄ ENNEN KÄSIEN TYÖNTÄMISTÄ VETEEN VÄLINEITÄ ASENNETTAESSA, KORJATTAESSA, HUOLLETTAESSA TAI KÄSITELTÄESSÄ MILLÄÄN TAVALLA.**

1.2 Tämä suodatin on tarkoitettu käytettäväksi vain

puutarha-altaissa. Älä käytä tätä suodatinta mihinkään muuhun tarkoitukseen (so. älä käytä tätä suodatinta uima-altaissa jne.). Tuotteen käyttö muuhun tarkoitukseen voi johtaa loukkaantumiseen tai tuotteen vaurioitumiseen. Pumppua ei saa käyttää, jos vedessä on ihmisiä.

1.3 Selvästi vaurioituneita laitteita ei saa käyttää.

1.4 Kirkas putki laitteen sisällä on tehty kvartsilasista ja sitä on käsiteltävä varovasti asennuksen ja huollon aikana. On suositeltavaa käyttää silmäsuojaimia ja sopivia käsineitä.

1.5 Älä poista ja käytä pumppua sen ulkokotelon ulkopuolella. Takuu saattaa mitätöityä, jos laitetta käytetään ilman sen ulkokoteloa.

1.6 **Tärkeää:**

Tuotteen mukana toimitetaan 10 m pitkä 3-johtoinen sähkökaapeli. Sen mukana toimitettava pistoke ei ole vesitiivis ja se on liitettävä sähkösyöttöön kuivan säänkestävän kotelon sisällä paikallisten määräysten mukaisesti.

Pysyvän asennuksen sähkösyötön täytyy vastata kansallisia ja paikallisia sähköasennusmääräyksiä. Pyydä pätevän sähkömiehen tai paikallisen sähkölaitoksen apua, jos olet epävarma sähkösyöttökytkennoistä.

1.7 Jos jatkojohtoa tarvitaan, se tulisi liittää laitteen kaapelin päähän säänkestävällä liittimellä. Liitos pitää sijoittaa säänkestävään koteloon. Jatkojohdon pitää olla 3-johtoinen 0,75 mm<sup>2</sup> kaapeli, jossa on polykloropreenikumieriste (viite: H05 RN-F) ja joka on asennettu kiinteästi verkkosyöttöön 1.6.

1.8 **VAROITUS:** Tämä laite TÄYTYY maadoittaa, ja kytkennät on tehtävä seuraavan koodin mukaisesti:

- RUSKEA - vaihe
- SININEN - nolla
- VIHREÄKELTAINEN - maadoitus

1.9 Näkyvissä olevat johdot on asetettava turvalliseen paikkaan ja suojattava tarvittaessa putkilla, etenkin jos ne voivat joutua kosketuksiin puutarhalaitteiden, esim. talikkojen ja ruohonleikkureiden, tai lasten tai kotieläinten kanssa.

1.10 Jos kaapeli vioittuu, laitetta ei saa enää käyttää. Kaapeli on kytketty kiinteästi, tiivistetty pumppuun ja sitä ei voi vaihtaa. Jos kaapeli vaurioituu, laite on hävitettävä paikallisten määräysten mukaisesti.

1.11 Enintään 30 mA:n vikavirtasuojalaite (RCD) TÄYTYY liittää sähkösyöttöön.

1.12 Pysyvän asennuksen sähkösyötön



täytyy vastata kansallisia ja paikallisia sähköasennusmääräyksiä. Pyydä pätevän sähkömiehen tai paikallisen sähkölaitoksen apua, jos olet epävarma sähkösyöttökytkennöistä.

- 1.13 Älä nosta tuotetta kaapelista koska se voi aiheuttaa vaurioita. On suositeltavaa käyttää nostojohtoa pohjan koukkuun, kun suodatin on asennettu syvään veteen. (Kuva 1-F). Jos tuotetta on siirrettävä, tuote on kytkettävä ensin pois päältä ja nostettava vedestä käyttämällä tätä johtoa.
- 1.14 Älä kytke pumppua päälle, kun se ei ole vedessä! Vedenkorkeuden tulisi olla UV-merkkivalon yläpuolella pallonivelessä (kuva 4A-L).
- 1.15 Älä käytä laitetta pakkasessa tai jätä sitä pakkaseen. (Ks. luku, "talvisäilytys").
- 1.16 Tämä tuote ei sovi veden lämpötiloille yli 35 °C tai alle 0 °C.
- 1.17 Käytä ainoastaan tämän tuotteen kanssa käytettäväksi tarkoitettuja lisätarvikkeita. Muiden lisätarvikkeiden ja varaosien käyttö saattaa poistaa takuun voimassaolon.

## Ylikuormitusuoja

EasyClearin pitkän käyttöiän varmistamiseksi ja vahinkojen estämiseksi se on varustettu automaattisella termisellä ylikuormitusuojalla. Tämä pysäyttää pumpun tai UV-lampun pois päältä, jos jompikumpi ylikuumentee. Jos näin tapahtuu, katkaise laitteen virta. Jos pumppu on aktivoitunut ylikuormitusuojan, tarkista syy (tämä on yleensä roska, joka tukkii pumpun imuaukon tai juoksupyörän). Poista este ja odota 15 minuuttia, jotta laite jäähtyy. Kytke se sitten päälle uudelleen.

Jos UV-lamppu on aktivoitunut ylikuormitusuojan (pumppu on yhä käynnissä, mutta UV-lamppu sammuu kun se on palanut hetken), soita Hozelock -asiakaspalveluun numeroon +44 (0)121 313 1122.

Muista: Lamppu on varustettu lukituksella, joka sammuttaa lampun, jos pikalukitusruuvi poistetaan (kuva 8-X), jotta voit nähdä toimiiko lamppu hämärässä, katsomalla, näkykö suihkulähteen lähtöaukossa sinertävä hehku (kuva 1-A), kun pikalukitusputki on lukittu paikoilleen.

**HUOMAUTUS: VIRTAA PITÄÄ KATKAISTA ENNEN KUIN LAITE VOIDAAN PALAUTTAA.**

**VAROITUS:** Termisen ylikuormitusuojan tahattoman palauttamisen välttämiseksi tämän tuotteen kanssa ei saa käyttää ulkoista kytkinlaitetta, kuten ajastinta, ja sitä ei saa kytkeä piiriin, joka kytketään säännöllisesti päälle ja pois päältä virtalähteestä."

## Käyttöjaksot

Pidä suodatus päällä jatkuvasti (24 h). Ideaalisesti

sen tulisi olla käynnissä ympäri vuoden, mutta sen on oltava käytössä vähintään koko kalojen ruokintasesongin (so. kunnes veden lämpötila on alle 10 °C ja kalat lakkaavat syömästä). Laitteen käyttö talvella ylläpitää biologisen suodattimen hyödyllisen bakteerikannan perustason ja estää altaan pinnan jäätymisen umpeen. Laite ei saa kuitenkaan jäätymä. Jos sammutat laitteen talveksi, pese laite läpikotaisin ennen suodatuksen aloittamista uudestaan keväällä (ks. "Talvisäilytys"). Älä koskaan ruoki kalojasi, kun laite ei ole käytössä.

## Ennen ensimmäistä käyttökertaa

Tämän tuotteen sopimaton käsittely kuljetuksen aikana voi vahingoittaa kvartsiputkea. Tarkista kvartsiputki ja tiiviste ennen asennusta.

Ks. luvusta "Huolto" tietoja siitä, miten kvartsiputkea ja lampua käytetään.

## Asennus

**Sijainti** - Tee vakaa ja tasainen alusta, johon voit sijoittaa EasyClearin™. Alustan tulisi olla yli 300 mm (12") vedenpinnan alapuolella. Käytä 300 – 600 mm syvyyksille suihkulähteen varren jatkokappaleet (kuva 1-F), jotka ruuvautuvat yhteen, jotta suihkulähde on vedenpinnan yläpuolella. Katso tietoa yleisestä asennuksesta kuvasta 4-A/B. Kun EasyClear -tuotetta käytetään vesiputousta varten, koko laitteen pitää olla veden alla.

**Kytkentä** - Aseta laite altaan viereen ja kytke verkkovirtakaapeli pistorasiaan. Varmista, että kaapeli on tarpeeksi pitkä, jotta tuote voidaan sijoittaa haluttuun kohtaan altaassa.

## Lisävarusteen kokoaminen

**Kupolinmuotoinen suihkulähde (kuva 1).**

Sijoita kupolin tuki (B) kupolin runkoon (C) ja työnnä se perille asti. Sijoita kupoli (D) runkoasetelmaan ja paina se keskiasentoon. Aseta tämä vesisuihku virtaussäätimeen (kuva 1-H).

**2- tai 3-kerroksinen vesisuihkukuvio (kuva 1-G).**

Kiinnitä muovilevyt (kuva 1-E), jotka muodostavat 2- tai 3-kerroksisen vesisuihkukuvion, napsauttamalla suihkupumpun varteen Työnnä suihkupumpun varsi varren jatkokappaleeseen (kuva 1-H) ja kierrä asetelma suihkulähteen lähtöaukkoon (kuva 1-H).

## Vain suihkulähdetoiminto

**Huomaa:** Vesiputouksen ulostuloa ei ole mahdollista sulkea kokonaan (kuva 1-I). Tämä mahdollistaa kirkaan veden

siirtymisen aina altaaseen, vaikka suihkulähteen pää tukkiutuisi. Jos altaan vesi ei kirkastu riittävästi, voi olla tarpeen antaa enemmän vettä siirtyä lampeen avaamalla vesiputouksen ulostulo.

2- ja 3-kerroksisen vesisuihkun päät napsautetaan paikoilleen suihkupumpun varteen. Vesisuihku voidaan säätää pystysuoraksi pallonivelen avulla (kuva 2-L). Pallonivelen tiukkuutta voidaan säätää tarvittaessa (kuva 2-M). Kaksikerroksisella suihkulähdesuuttimella saadaan vaihtoehtoinen, korkeampi vesisuihkukuvio kuin kolmikerroksisella.

Suihkulähteen korkeus voidaan säätää halutuksi kääntämällä vesisuihkun virtaussäädintä (kuva 3B-N). Käännä vesiputouksen säädin (kuva 3A-O) kiinni suihkun suurimman korkeuden saavuttamiseksi.

Kupolisuihkulähte muodostaa kupolinmuotoisen vesisuihkun. Vesikupolin korkeus voidaan säätää halutuksi kääntämällä vesisuihkun virtaussäädintä (kuva 3B-N).

Asenna ja sijoita pumppu edellä kuvatulla tavalla ja kytke se päälle.

## Suihkulähte- ja vesiputoistoiminto

Kiinnitä sopivan pituinen (enintään 3 metriä), 25 mm (1 tuuman) paksuinen letku vesiputouksen säädin (kuva 3A-Q) ja varmista se sopivalla letkupuristimella. Sijoita letkun poistopää haluamaasi paikkaan.

Kierrä vesiputouksen säädin EasyClear™- pumpun vesisuihkun lähtöaukkoon (kuva 3A-Q).

Kun pumppu on käytössä, vesiputouksen virtausta ja suihkulähteen korkeutta voidaan säätää itsenäisesti vesisuihkun säätimellä (kuva 3B-N) ja vesiputouksen säätimellä (kuva 3A-O).

Asenna ja sijoita pumppu edellä kuvatulla tavalla ja kytke se päälle.

## Vain vesiputoustoiminto

### katso yleisasennus kuvasta 4)

Ruuvaa tulppa suihkulähteen lähtöaukkoon (kuva 3A-P).

Kiinnitä sopivan pituinen (enintään 3 metriä), 25 mm (1 tuuman) paksuinen letku vesiputouksen säädin (kuva 3A-O) ja varmista se sopivalla letkupuristimella. Sijoita letkun poistopää haluamaasi paikkaan.

Kierrä vesiputouksen säädin EasyClear™- pumpun vesisuihkun lähtöaukkoon (kuva 3A-Q).

Säädä virtaus vesisuihkun virtaussäätimellä (kuva 3A-O) halutun mukaiseksi.

Asenna ja sijoita pumppu edellä kuvatulla tavalla ja kytke se päälle.

## UVC-lampun toiminta

UVC-lamppu kytkeytyy automaattisesti päälle, kun laite on kytketty verkkovirtaan, kun pikalukitusputki on lukittu paikoilleen.

UVC-lampun toimintakunto voidaan tarkistaa katsomalla, näkyykö pallonivelen lähtöaukossa sinertävä hehku (kuva 1-A). On mahdollista, että

hehku näkyy vain heikossa valaistuksessa.

Katso lampun vaihtamista koskevat ohjeet Huolto-osiesta.

## Huolto

Hozelock Cyprio EasyClear™ on nopea ja helppo huoltaa. Kaikkien allaslaitteiden tavoin sekin kaippaa ajoittain puhdistusta tai osien vaihtoa.

**VAROITUS:** Irrota tuote sähköverkosta ja katso kohta "Turvallisuus ja sähköliitännät" ennen huoltotoimenpiteiden suorittamista.

### Suihkulähdesuutin (kuva 1-E)

Noudata seuraavia ohjeita, jos suihkulähdesuutin on tukossa:

- 1 - Aseta kolikko tai vastaava esine uraan ja väännä suihkulähdesuutin varovasti irti.
- 2 - Huuhtelee suutin puhtaalla vedellä ja asenna se takaisin paikalleen.

### Vaahtomuovisuodatin

Noudata seuraavia ohjeita, jos virtaus heikentyy:

- 1 - Irrota vaahtomuovisuodattimen suojus painamalla kahta painiketta (kuva 5-R) ja nostamalla suojusta (kuva 6-S).
- 2 - Poista vaahtomuovisuodatin (kuva 7-T). Huomaa: Jos laite on poissa altaasta yli 20 minuuttia, biologinen suodatin saattaa lakata toimimasta. Huuhtelee huolellisesti altaan vedessä (älä käytä vesijohtovettä).
- 3 - Huuhtelee myös vaahtomuovisuodattimen suojus ja pumpun pohja altaan vedessä (älä käytä vesijohtovettä).
- 4 – Myös bioaines ja kivet (kuva 7-U) on puhdistettava, jos ne ovat tukkeutuneet. Bioaines ja kivet voidaan huuhdella vain altaan vedessä.
- 5 - Asenna suodatin takaisin paikalleen.

### Kvartsiputki

Noudata seuraavia ohjeita, jos allas on jatkuvasti vihreä:

- 1 - Irrota pikalukitusruuvi (kuva 8-V), käännä kierreputkea ja nosta se pois (kuva 8-W).
- 2 - Puhdista kvartsiputki. Käsittele kvartsiputkea erityisen huolellisesti. Kovan veden alueilla kvartsiputken pintaan saattaa muodostua kalkkikerros, joka heikentää laitteen tehoa. Puhdista putki pehmeällä liinalla ja miedolla kalkinpoistoaineella (esimerkiksi etikalla ja vedellä).
- 3 – Kokoa pikalukitusputki, ruuvaa se paikoilleen ja käynnistä uudelleen (kuva 8-X).

**Varoitus!** Varmista, että kvartsiputki on ehjä, ennen kuin asennat sen takaisin paikalleen.

### Lampun vaihto

Noudata seuraavia ohjeita, jos lamppu on vaihdettava tai se ei pala:

Vaihda lamppu uuden allaskauden alkaessa. Vaikka lamppu hehkuu, se ei välttämättä anna yhtään hyödyllistä

ultraviolettisäteilyä. EasyClear™-pumpun suorituskyky määräytyy sen tuottaman ultraviolettisäteilyn voimakkuuden mukaan. Säteily heikentyy hitaasti lampun sytyttämispäivästä alkaen. UVC-lampun tehokas käyttöikä on 12 kuukautta. Lamppu täytyy vaihtaa, kun vesi samenee merkittävästi. Tarkista, johtuuko sameneneminen vanhentuneesta lampusta vai huoltoa kaipaavasta suodattimesta tai liikkeisestä/kalkkeutuneesta kvartsiputkesta. Molemmat voivat heikentää UV-säteilyn pääsyä veteen.

- 1 - Irrota pikalukitusruuvi (kuva 8-V), käännä kierreputki ja nosta se pois (kuva 8-W).
- 2 - Ruuvaa kvartsiputken lukituskaulus auki (kuva 9-Y-i). Pidä kiinni varovasti kvartsiputkesta (kuva 9-Y-ii), nosta ylöspäin ja poista putki yhdessä O-renkaiden (kuva 9-Y-iii) ja lukituskauluskaulun kanssa.
- 3 - Poista vanha lamppu vetämällä se varovasti irti pidikkeestä (kuva 9-Z). Hävitä vanha lamppu paikallisten määräysten mukaisesti ja laita uusi lamppu paikalleen.
- 4 - Liu'uta kvartsiputki alas lampun päälle. Varmista, että kvartsiputken jalustan kaksi O-rengasta ovat puhtaista ja roskattomia.
- 5 - Liu'uta lukituskaulus alas kvartsiputken päälle ja kierrä kiinni. Sinun on kierrettävä lukituskauluskaulusta, kunnes kauluksen pysäytin koskettaa kotelon pysäytintä ja kaulusta ei voi kiertää enää enempää alaspäin.
- 6 - Kokoa pikalukitusputki, ruuvaa se paikoilleen ja käynnistä uudelleen (kuva 8-X).

**Varoitus!** Varmista, että kvartsiputki asennetaan oikein, jotta se muodostaa täysin vesitiiviin sauman. Tarkista kvartsiputkiasetus O-renkaiden (2 kpl) kunto (kuva 9-Y-iii). Jos ne ovat vaurioituneet tai vesitiivistä liitosta ei voida taata, ota yhteys Hozelock-asiakaspalveluun.

#### **Biologinen suodatin**

Bioinesta ei normaalisti tarvitse poistaa, koska puhdistaminen saattaa tuhota bakteeripesäkkeet, jotka puhdistavat myrkyllisen jätteen. Jos bioaines kuitenkin tukkeutuu ja se vaatii puhdistusta, toimi seuraavasti.

- 1 - Poista vaahtomuovisuodatin.
- 2 - Poista Kaldnes-bioainespussi (kuva 7-U) puhdistusta varten.
- 3 - Pese pussi allasvedessä
- 4 - Asenna suodatin takaisin paikalleen ja käynnistä pumpppu.

#### **Roottorin puhdistus/vaihto**

Noudata seuraavia ohjeita, jos laite ei pumpppaa vettä tai jos virtaus on heikentynyt.

- 1 - Irrota vaahtomuovisuodattimen suojus painamalla kahta painiketta (kuva 5-R) ja nostamalla suojusta (kuva 6-S).
- 2 - Poista vaahtomuovisuodatin (kuva 7-T), bioaines (kuva 7-U) ja kivipussi
- 3 - Käännä laite ympäri. Irrota 4 kiinnitysruuvia (kuva 10-AA) ja nosta pohja pois.
- 4 - Irrota kiinnitysruuvit (2 kpl) (kuva 10-BB) ja nosta pumpppuasetelma pois.
- 5 - Käännä pumpun pesää (kuva 10-CC) vastapäivään ja nosta se pois. Vedä roottori irti puhdistusta tai vaihtoa varten (kuva 10-DD).

**Tärkeää! Varo pudottamasta yhtäkään pienistä osista.**

**Katso EasyClear™ 6000 -roottoriaisetelma kuvasta EasyClear™ 10A sekä EasyClear™ 7500- ja EasyClear 9000 -roottoriaisetelma kuvasta 10B.**

- 6 - Kokoa pumpppu ja kiinnitä 2 kiinnitysruuvia (kuva 10-BB).
- 7 - Reititä kaapeli (kuva 10-EE).
- 8 - Asenna suodatin takaisin paikalleen ja käynnistä pumpppu.

## **Pumpun ympärivuotinen huolto**

Tarkista päivittäin, että pumpppu toimii tyydyttävästi.

Kerran viikossa: Irrota kotelo ja suihkulähdesuutin yleisten huolto-ohjeiden mukaisesti.

Altaan veden ominaisuuksien mukaan pumpppu saattaa vaatia puhdistusta tätä useammin.

Kerran vuodessa: Pura laite kokonaan roottorin rakenne mukaan lukien yleisissä huolto-ohjeissa kuvatulla tavalla ja pese kaikki osat puhtaalla makealla vedellä.

Vaihda kuluneet ja rikkoutuneet osa.

## **Talvisäilytys**

Kun laitetta ei käytetä, poista laite altaasta ja pese ja puhdista se perusteellisesti. Kuivaa laite ja aseta se säilytykseen kuivaan, pakkaselta suojattuun paikkaan. Säilytä laitetta aina vaahtomuovisuodatin ja vaahtomuovisuodattimen suojus poistettuna riittävän ilmanvaihdon ja kuivumisen varmistamiseksi.

## **Yhteystiedot / varaosat**

Tuotetietoja ja varaosia koskeissa asioissa ota yhteys Hozelock Cyprio -asiakaspalveluun numerossa 0121 313 1122 tai käy nettiosoitteessa [www.hozelock.com](http://www.hozelock.com)

## **Kalakanta ja -tiheys**

Normaaleissa oloissa EasyClear™ soveltuu jopa 1,44 m pituisille kaloille (EasyClear™ 6000 & EasyClear™ 7500) tai 2,16 m (EasyClear™ 9000) pituisille kaloille. Lisää kaloja hitaasti ensimmäisten viikkojen ajan; enintään 20 prosenttia suositellusta

enimmäismäärästä. Nosta määrä 50 prosenttiin kuuden kuukauden jälkeen. Tasapaino mahdollistaa kalojen kasvun.

## Hozelock Cyprio -kirkasvesitakuu

**TAKAAMME ALTAAN VEDEN KIRKKAUDEN TAI SAAT RAHASI TAKAISIN.**

**HUOMAUTUS: VEDEN KIRKASTUMINEN SAATTAA JOISSAKIN TAPAUKSISSA KESTÄÄ 6-8 VIIKKOA.**

Tämä takuu on voimassa 12 kuukautta ostosta edellyttäen, että

- Olet noudattanut asennus- ja käyttöohjeita.
- Käytät altaaseesi sopivankokoista laitteistoa ja kalakantaa.
- Olet yhteydessä palvelulinjaamme (0121 313 1122) riittävän ajoissa kaikkien ongelmien korjaamiseksi.
- Tuote on palautettu vahingoittumattomana.

Korvauksen voi valtuuttaa vain Hozelock Cyprio ja se tehdään vain ostopaikalla vain EasyClear™ ostohinnalle. Ostotodistus tarvitaan. Huomaa, että Clearwater-takuu ei kata veden kirkkauden menetystä, kun syynä on peittävä sinileväkasvu, eikä vihreä leväkasvu.

## 3 vuoden tuotetakuu

Jos tämä laite, pois lukien roottoriasetelma, vaahtomuovisuodatin ja ultraviolettilamppu, muuttuu käyttökelvottomaksi kolmen vuoden kuluessa ostopäivästä, laite valintamme mukaan korjataan tai vaihdetaan veloituksetta, paitsi jos arvioimme, että sitä on vaurioitettu tai käytetty väärin. Vastuuta ei hyväksytä vaurioille, jotka johtuvat onnettomuudesta, väärästä asennuksesta tai käytöstä.

Vastuu rajoittuu viallisen laitteen vaihtoon. Takuu ei ole siirrettävissä. Takuu ei vaikuta lakisääteisiin oikeuksiisi.

Takuun voimassaolon varmistamiseksi ota ensin yhteys Hozelock Cyprion asiakaspalveluun.

Asiakaspalvelu saattaa vaatia, että suodatin lähetetään ostotositteen kera suoraan annettuun osoitteeseen.

**JOS VAURIO ON AIHEUTUNUT SIITÄ, ETTÄ EasyClear™-PUMPPUA ON KÄYTETTY ILMAN VETTÄ TAI JÄÄTYNEENÄ, TAKUU RAUKEAA.**

## Vianmääritys

Lue näiden ohjeiden turvallisuutta käsittelevät osiot, ennen kuin suoritat mitään korjaustoimenpiteitä EasyClear™-pumpulle! Katso tarvittaessa myös näiden ohjeiden huoltoa käsittelevä osio.

### HEIKKO VIRTAUS PUMPUSTA

a – Vaahtomuovisuodattimet voivat olla tukossa ja kaipaavat puhdistusta

b - Tarkista, että ulkovaippa on puhdas.

c - Poista tukokset ja säädä virtaussäädintä.

d - Tarkista, että pumpun pesässä oleva valkoinen läppä liikkuu vapaasti.

e - Tarkista, että roottori on puhdas ja että se liikkuu esteettömästi.

### HUONO VESISUIHKUKU

a – Katso edellinen kohta

b - Puhdista suihkulähdesuutin.

### ULTRAVIOLETTILAMPPU EI TOIMI

a - Tarkista, että verkkovirta on kytketty.

b - Tarkista sulake, vikavirtasuojakytkin ja johdotus.

c - Vaihda lamppu.

d - Ylikuormitussuojaus on saattanut aktivoitua - katso ylikuormitussuojaosio.

### PUMPPU EI TOIMI

a - Tarkista, että verkkovirta on kytketty.

b - Tarkista sulake, vikavirtasuojakytkin ja johdotus.

c - Tarkista, että roottori ei ole tukossa.

d - Ylikuormitussuojaus on saattanut aktivoitua - katso ylikuormitussuojaosio.

e - Tarkista, että ulkovaippa on puhdas.

f – Tarkista, onko lampun alueelle päässyt vettä.



Älä hävitä sähkölaitteita lajittelemattomana yhdyskuntajätteenä, käytä erillisiä keräyspisteitä. Ota yhteys paikallisviranomaisiin koskien käytettävissä olevia keräysjärjestelmiä. Jos sähkölaitteita hävitetään täyttömaahan tai kaatopaikoille, vaarallisia aineita voi vuotaa pohjaveteen ja päästä ruokaketjuun vahingoittaen terveyttä ja hyvinvointia. EU-alueella, vaihdettaessa laitteita uusiin, jälleenmyyjä on lakisääteisesti velvollinen ottamaan vastaan vanhan laitteen hävitystä varten vähintäänkin ilmaiseksi.

## Tekniset tiedot

Artikkelnummer	1764	1766	1768
Malli	6000	7500	9000
Volttia	230V 50Hz	230V 50Hz	230V 50Hz
UVC-teho (W)	9	11	13
Kokonaisteho (W)	40	43	55
Maksimi altaan koko ilman kaloja	6000 ltr (1319 gal)	7500 ltr (1648 gal)	9000ltr (1978 gal)
Maksimi altaan koko kalojen kanssa	4000 ltr (879 gal)	5000 ltr (1099 gal)	6000 ltr (1319 gal)
Maks. virtaus, Qmaks, (l/h)	1700 lph (374 gph)	1700 lph (374 gph)	2850 lph (627 gph)
Maksimikorkeus, Hmaks., (m)	2m	2m	2.3m
IP-luokitus	IPX8	IPX8	IPX8
Maks. veden lämpötila Tmaks, (°C)	35°C	35°C	35°C

\* Mitattu valvotuissa olosuhteissa

## N

Takk for at du har valgt et kvalitetsprodukt fra Hozelock. Du kan være trygg på at dette produktet vil gi deg mange år med pålitelig tjeneste.

### INSTALLASJONS- OG BRUKSANVISNING



LES DISSE INSTRUKSJONENE NØYE FØR  
INSTALLASJON PÅBEGYNNES.

MANGEL PÅ OVERHOLDELSE AV  
FØLGENDE MERKNADER KAN FØRE TIL  
PERSONSKADE, PRODUKTSKADE ELLER TAPT FISK.  
TA VARE PÅ DENNE VEILEDNINGEN FOR  
FREMtidig REFERANSE.

Denne Hozelock Cyprio EasyClear™ -pumpen til fontene og foss er laget til bruk i nedsenket tilstand i utendørs dammer. Det er en integrert enhet som gir mekanisk og biologisk filtrering med en ultrafiolett klargjører (rener), en fontene og foss.

### Merk: UV-advarsel

Dette produktet inneholder en UV-C-sender. Utlisikket bruk av produktet eller skade på huset kan føre til utslipp av farlig UV-C-stråling. Selv små doser UV-C-stråling kan føre til skade på øyne og hud. Lampen er utstyrt med en sperremekanisme som slår den av hvis el-huset blir åpnet.

UV-indikatorlinsen lyser blått hvis lampen er slått på. Produktet må ikke tørrkjøres.

**Advarsel: Ikke slå på UV-C-senderen hvis den er tatt ut av huset.**

**Advarsel: Produktet må kobles fra strømmen før UV-C-senderen kobles fra.**

### Viktig

Dette apparatet skal kun brukes av eller under oppsyn av en ansvarlig voksen som er i stand til å bruke

apparatet på en trygg måte, og som forstår farene som er involvert. Bruk og lagre dette apparatet utilgjengelig for barn og personer med reduserte fysiske, sensoriske eller mentale evner."

### Advarsel: Sikkerhet & elektriske tilkoblinger

- 1.1 ADVARSEL: ALLE APPARATER I DAMMEN MÅ ALLTID KOBLES FRA STRØMTILFØRSELEN FØR DU TAR HENDENE VANNET FOR Å INSTALLERE, REPARERE, VEDLIKEHOLDE ELLER BETJENE UTSTYR.**
- 1.2 Dette filteret er kun utviklet for bruk i hagedammer. Ikke bruk dette filteret til andre formål (dvs. ikke bruk dette filteret i svømmebasseng e.l.). Bruk av produktet til andre formål kan føre til person- eller produktskade. Denne pumpen må ikke brukes når det befinner seg personer i vannet.
- 1.3 Produkter med åpenbare skader må ikke betjenes.
- 1.4 Det gjennomsiktige røret i enheten er lagd av kvartsglass, og forsiktighet må derfor utvises ved installasjon og vedlikehold. Vi anbefaler å bruke vernebriller og hansker.
- 1.5 Ta ikke løs og ha ikke pumpeenheten i drift uten dens omsluttende kasse. Å bruke enheten uten dens omsluttende kasse vil kunne gjøre garantien ugyldig.
- 1.6 **Viktig:** Dette produktet er utstyrt med 10 m 3-tråds strømledning. Stikkontakten som følger med produktet er ikke vanntett, og skal kobles til strømmettet i et tørt og værbestandig avlukke i samsvar med lokalt regelverk.

Faste installasjoner på strømmettet må være utført i samsvar med nasjonale og lokale forskrifter. Ta kontakt med en kvalifisert elektriker eller de lokale myndighetene hvis du er

i tvil om tilkoblingen til strømmettet.

- 1.7 Hvis en skjøteledning er nødvendig, bør denne være koblet til enden av enhetens ledning med en værbestandig kontakt. Skjøten skal plasseres i en egnet værbestandig omsluttende kasse. Skjøteledningen bør være med 3-tråds 0.75 mm<sup>2</sup> polykloropren gummiisoleret ledning (ref.: H05 RN-F) og en permanent kobling til strømforsyningen som beskrevet ovenfor i 1.6.
- 1.8 **ADVARSEL:** Dette produktet MÅ jordes, og det er ytterst viktig at tilkoblingene har følgende kode:
  - BRUN – strømførende
  - BLÅ – nøytral
  - GRØNN/GUL – jord.
- 1.9 Ledningstrekk i friluft skal plasseres fornuftig og beskyttes med en herdet kanal, spesielt hvis det er fare for kontakt med hageutstyr, som gafler og plenklippere, eller med barn og husdyr.
- 1.10 Ikke bruk produktet hvis strømledningen på noen måte er skadet. Strømforsyningskabelen er permanent tilkoblet og forseglet til pumpen og kan ikke skiftes ut. Hvis ledningen er skadet, må el-huset avhendes i samsvar med lokalt regelverk.
- 1.11 En jordfeilbryter med maks. 30 mA MÅ kobles til strømmettet.
- 1.12 Faste installasjoner på strømmettet må være utført i samsvar med nasjonale og lokale forskrifter. Ta kontakt med en kvalifisert elektriker eller de lokale myndighetene hvis du er i tvil om tilkoblingen til strømmettet.
- 1.13 Ikke bruk ledningen til å løfte enheten, da dette vil kunne forårsake skade. Vi anbefaler å montere en løfteledning til krokfunksjonen på underdelen når filteret er installert på dypt vann. (Fig. 1-F). Hvis filteret må fjernes, skal produktet først slås av og tømmes for vann.
- 1.14 Slå ikke på pumpen når vann mangler! Vannstanden bør være over UVC-indikatoren på kuleleddet (Fig 4-L).
- 1.15 Ha ikke enheten i drift og forlat den ikke når det er frost. (Se avsnittet "Vinterpleie").
- 1.16 Dette produktet er ikke egnet for vanntemperatur over 35 °C eller under 0 °C.
- 1.17 Bruk kun tilbehør som er beregnet for bruk med dette produktet. Bruk av annet tilbehør eller reservedeler kan ugyldiggjøre garantien.

## Overbelastningsvern

For å bidra til å sikre at EasyClear oppnår en lang levetid og for å hindre skader, er den utstyrt med automatisk overbelastningsvern mot varme. Dette slår av pumpen eller UV-lampen hvis en av dem blir

overopphetet. Hvis dette skjer, kutt strømforsyningen fra strømmettet til enheten. Hvis det er pumpen som har aktivert overbelastningsvernet, så se etter årsaken (det er vanligvis rusk som blokkerer innløpet til pumpen eller hindrer skovlhjulet). Fjern hindringen og vent i 15 minutter til enheten har kjølt seg ned. Slå den så på igjen.

Hvis det er UV-lampen som aktiverer overbelastningsvernet (pumpen er fremdeles i gang, men UV-lampen fortsetter å slukkes etter å ha vært på i kort tid), så vennligst kontakt Hozelocks kundeservice-telefon for bistand på +44 (0)121 313 1122.

**Husk:** Lampen er utstyrt med en sperre som vil slå av lampen når bajonetten er fjernet (Fig 8-S), så du kan bare se om lampen fungerer når det er mørkt ved å se etter en blåaktig glød fra fontenens utløp (Fig 1-A) med bajonettøret låst i posisjon.

**NB! DU MÅ SLÅ AV STRØMTILFØRSELEN FRA STRØMNETTET FØR ENHETEN NULLSTILLES.**

**FORSIKTIG:** For å unngå fare for sikkerheten på grunn av utilsiktet tilbakestilling av termisk overbelastningsbeskyttelse, må ikke dette produktet brukes med en ekstern enhet til påslåing, slik som for eksempel et tidsur, eller koblet til en krets som regelmessig slås av og på ved hjelp av strømforsyningen.

## Betjeningsperioder

Filteret skal være på hele døgnet. Fortrinnsvis skal det gå hele året, men i alle tilfeller i løpet av fôringsperioden (dvs. til vanntemperaturen er under 10 °C). Hvis pumpen får gå om vinteren, bevares en grunnleggende mengde nyttige bakterier i Bioforce og dammen fryser ikke så lett til. Du få imidlertid ikke la enheten fryse. Hvis pumpen slås av for vinteren, skal filteret vaskes grundig før det settes i drift igjen om våren (se "Vinterlagring", 11.0). Fisken må ikke mates når filteret ikke er i bruk.

## Før første gangs bruk

Feilaktig håndtering av produktet under transport kan resultere i skade på kvartsrøret. Vennligst inspiser kvartsrør og forsegling før installasjon.

Vennligst se avsnittet "Vedlikehold" for detaljer om hvordan du får tilgang til kvartsrøret og lampen.

## Installasjon

**Posisjon** - Bygg opp en solid og jevn plattform for å plassere EasyClear™. Plattformen skal være mer enn 300 mm (12") under vannivå. Til dybder på mellom 300 mm og 600 mm, bruk fontenens

forlengelsessegmenter til stangen (Fig 1-K), som bare skruss sammen, slik at fontenen skal kunne å være over vannstanden. For generell installering, vennligst se Fig 4. Når du bruker EasyClear til en foss, skal hele



enheten være nedsenket i vann.

**Tilkobling** - Plasser enheten ved siden av dammen og før ledningen tilbake til strømnettet. Sørg for at du lar det være nok ledning til å posisjonere produktet på ønsket sted i dammen.

## Sammensetning (montering) av sett

### Klokkefontene (Fig 1).

Plasser klokken støtte (B) på klokken hoveddel (C) og trykk den helt inn. Posisjoner klokken (D) inn på korpussettet og press trykk den inn til den får en plassering midt på. Stikk denne inn i fontenens justeringsmekanisme for vannstrømming (Fig 1-H).

### Sammensetning (montering) av 2. og 3. lags vannoppvisning (Fig 1-G).

Plastskivene (Fig 1-E) som utgjør 2. og 3. lags vannoppvisning smetter du ganske enkelt inn på fontenens stang. Skyv fontenens stang inn i forlengelsessegmentet for fontenens stang og skru på fontenutløpet (Fig 1-H).

## Kun drift av fontene

**Vennligst vær oppmerksom på følgende: Det er ikke mulig å helt stenge av fosseutløpet (Fig 1-I). Dette er for å alltid gjøre det mulig for vann**

**sirkulere inn til dammen og selv om fontenetoppen blir blokkert sikre tilførsel av klart vann. Hvis damvannet ikke blir tilstrekkelig klart, kan det være nødvendig å la mer vann sirkulere inn i dammen ved å åpne fossutløpet.**

**Smekk 2- og 3-lagsfontenetoppene ganske enkelt inn på fontenens stang. Fontenens vinkel kan ved hjelp av kuleleddet justeres til å bli vertikalt (Fig 2-L). Kuleleddets stramming kan justeres (Fig 2-M). Ved behov kan to-lags fontenetopp brukes til å oppnå et alternativt og høyere visningsmønster enn et 3-lags.**

Høyden på fontenen kan justeres etter behov ved å vri på justeringsmekanismen for fontenens vannstrøm (Fig 3B-N). Vri på justeringsmekanismen for fossens vannstrøm (Fig 3A-O) til den er stengt for å oppnå maksimal fontenehøyde.

Klokkefontenen skaper en dekorativ vannklokke. Størrelsen på klokken kan justeres etter behov ved å vri på justeringsmekanismen for fontenens vannstrøm (Fig 3B-N).

Installer og plasser pumpen slik som beskrevet tidligere, og slå på.

## Drift av fontene og foss

Fest en passende lengde (maks. 3 m) 25 mm (1") slange til slangeenden på justeringsmekanismen for fossens vannstrøm (Fig 3A-O) og fest med en passende slangeklemme og posisjonere utløpsenden av slangen i ønsket posisjon.

Skru på justeringsmekanismen for fossens vannstrøm inn på fosseutløpet på forsiden av EasyClear™ (Fig 3A-Q).

Så snart pumpen er i drift, kan vannstrømmen i fossen og høyden på fontenen justeres uavhengig av hverandre ved hjelp av justeringsmekanismen for fontenens vannstrøm (Fig 3B-N) og justeringsmekanismen for fossens vannstrøm (Fig 3A-O).

Installer og plasser pumpen som beskrevet tidligere, og slå på.

## Kun drift av foss

### (Fig 4 for generell installeringsveiledning)

Skru blindplugg på fontenens utløp (Fig 3A-P).

Fest en passende lengde (maks. 3 m) 25 mm (1") slange til slangeenden på justeringsmekanismen for fossens vannstrøm (Fig 3A-O) og fest med en passende slangeklemme og posisjonere utløpsenden av slangen i ønsket posisjon.

Skru på justeringsmekanismen for fontenens vannstrøm inn på fosseutløpet på forsiden av EasyClear™ (Fig 3A-Q).

Juster vannstrømmen ved hjelp av justeringsmekanismen for fossens vannstrøm, (Fig 3A-O), til å tilpasse den til dine behov.

Installer og plasser pumpen slik som beskrevet tidligere, og slå på.

## Drift av UVC

UVC vil automatisk slås på når enheten er koblet til strømnettet så framt bajonettørret er låst på plass slik det skal.

UVC-lampens drift kan sjekkes ved å se etter en blåaktig glød fra kuleledd-utgangen (Fig 1-A). Vær oppmerksom på at dette bare kan bli synlig under dårlige lysforhold.

Vennligst se Vedlikehold for lampeskift.

## Vedlikehold

Hozelock Cyprio EasyClear™ er utformet for å gjøre det mulig med raskt og enkelt vedlikehold. Som med alt damutstyr, vil det enkelte ganger være nødvendig å rengjøre eller skifte ut deler.

**ADVARSEL:** Koble dette produktet fra strømforsyningen og se avsnittet "Sikkerhet & elektriske tilkoblinger" før du utfører noe vedlikehold.

### Fontenens øvre del (Fig 1-E)

Følg prosedyren nedenfor hvis fontenens øvre del er tett:

- 1 - Plasser en mynt eller lignende i sporet og lirk forsiktig av fontenens øvre del
- 2 - Skyll i rent vann og sett sammen igjen.

## Skum

Følg prosedyren nedenfor hvis flyten ser ut til å være redusert:

- 1 - Frigjør skumdekslet ved å trykke på de to knappene (Fig 5-R) og løft dekslet (Fig 6-S).
- 2 - Ta bort skummet (Fig 7T). NB! Dersom enheten er ute av dammen i mer enn 20 minutter, vil det biologiske filtret kunne slutte å virke. Skyll grundig i damvann (ikke bruk vann fra springen).
- 3 - Også skumdekslet og underdelen må skylles i vann fra dammen (ikke bruk vann fra kranen).
- 4 - Det kan dessuten være nødvendig å rense biomediene og steinene (Fig 7-U) hvis disse har blitt påført (tilsmusset). Hvis dette er nødvendig, bør biomedie og steiner kun skylles i damvann.
- 5 - Sett sammen filtret.

## Kvartsrør

Følg prosedyren nedenfor hvis dammen forblir grønn:

- 1 - Ta løs bajonettlåseskruen (Fig 8-V), vri og løsne bajonetrøret (Fig 8-W).
- 2 - Rengjør kvartsrøret. Vær ekstra forsiktig når du håndterer kvartsrøret. I områder med hardt vann, vil kvartsrøret kunne bli dekket av kalk, noe som vil redusere effektiviteten. Rengjør røret med en myk klut og et mildt avkalkningsmiddel (fslik som or eksempel eddik og vann), og skyll i vann før montering.
- 3 - Sett sammen igjen bajonetrøret, skru og start opp igjen (Fig 8-X).

**Advarsel:** Pass på at kvartsrøret ikke er skadet før det monteres på nytt.

## Utskiftning av lampe

Følg prosedyren nedenfor hvis lampen må skiftes eller ikke lyser:

Skift ut lampen på begynnelsen en ny sesong. Selv om lampen fortsatt lyser, kan det hende den ikke sender ut noen

nyttig UV-stråling. Hvor bra EasyClear™ presterer, kommer an på styrken på den UV-strålingen som produseres. Dette vil sakte reduseres fra den dagen lampen slås på. UVC-lampen har en levetid på 12 måneder. Du må skifte ut lampen når det inntreffer en betydelig reduksjon i vannets klarhet. Forsikre deg om at dette er på grunn av en lampe som er brukt opp og ikke et dårlig vedlikeholdt filter eller et skittent/kalkpåført kvartserme. Begge kan i stor grad redusere UV-overføring til vannet.

- 1 - Ta løs bajonettlåseskruen (Fig 8-V), vri og løft bajonetrøret (Fig 8-W).
- 2 - Skru av kvartsrørets låsemansjett (Fig 9-Y-i). Hold kvartsrøret forsiktig (Fig 9-Y-ii), løft det opp og ta av sammen med o-ringene (Fig 9-Y-iii) og låseringen.
- 3 - Ta løs den gamle lampen ved å trekke den forsiktig løs fra holderen (Fig 9-Z). Avhend den gamle

lampen i samsvar med det lokale regelverket og monter den nye lampen.

- Før kvartsrøret ned over lampen. Kontroller at de to o-ringene nederst på kvartsrøret er rene og støvfrie.
- Før låseringen ned over kvartsrøret og skru fast. Skru til låseringens stoppmekanisme treffer husets stoppmekanisme, slik at låseringen ikke kan skrues lengre.
- 6 - Sett sammen bajonetrøret igjen, skru og start opp på nytt (Fig 8-X).

**Advarsel:** Pass på at kvartsrøret er satt sammen på riktig måte, slik at det gir en helt vanntett forsegling. Sjekk tilstanden for de to o-ringene på kvartsrør-settet (Fig 9-Y-iii). Hvis disse skades på noen måte, eller du kan ikke garantere en vanntett forsegling, så vennligst kontakt HozeLocks kundeservice.

## Biologisk filter

Normalt sett er det ikke nødvendig å ta bort biomediet, ettersom all rengjøring vil kunne drepe kolonier av bakterier som gjør giftig avfall ufarlig. Hvis biomediet imidlertid skulle bli svært tilstoppet og krever rengjøring, så følg denne fremgangsmåten.

- 1 - Ta bort skummet.
- 2 - Posen med Kaldnes Biomedie (Fig 7-U) kan deretter tas ut for rengjøring.
- 3 - Vask i vann fra dammen.
- 4 - Sett sammen filtret igjen og start opp på nytt.

## Rengjøring/utskiftning av rotor

Hvis det ikke pumpes noe vann eller flyten er redusert, ta bort kvartsrøret og lampen slik som beskrevet ovenfor, og følg deretter prosedyren nedenfor.

- 1 - Frigjør skumdekslet ved å trykke de to knappene (Fig 5-R) og løft så dekslet (Fig 6-S).
- 2 - Ta bort skummet (Fig 7-T), biemediene (Fig 7-U) og steinposen.
- 3 - Vri over enheten og ta løs de fire festeskruene (Fig 10-AA) og løft av underdelen.
- 4 - Ta løs de to festeskruene (Fig 10-BB) og løft av pumpesettet.
- 5 - Vri pumpekammeret i retning mot klokken (Fig 10-CC) og løft av. Rotoren kan nå dras ut for rengjøring eller utskiftning (Fig 10-DD).

**Viktig Vær ekstra forsiktig slik at du ikke slipper ned noen av de små komponentene.**

**Vennligst se Fig EasyClear™ 10A for å sette sammen rotorene EasyClear™ 6000 og EasyClear™ 7500 og Fig 10B for å sette sammen rotoren EasyClear 9000.**

- 6 - Sett sammen pumpen igjen og to stk festeskruer (Fig 10-BB).
- 7 - Omdiriger kabelaen (Fig 10-EE).
- 8 - Sett sammen filtret igjen og start opp på nytt.

## Pleie av pumpen gjennom året

En rask daglig kontroll bør gjennomføres for å sikre at pumpen fungerer tilfredsstillende.

En gang i uken - Fjern det ytre dekselet og fontenens øvre del i samsvar med veiledningen vedr. generelt vedlikehold.

Avhengig av vannforholdene i dammen, kan oftere rengjøring være nødvendig.

En gang i året - Ta enheten fullstendig fra hverandre, inkludert rotorenheten som beskrevet i veiledningen vedr. Generelt vedlikehold og vask delene i rent ferskvann.

Skift ut slitte eller ødelagte deler.

## Vinterlagring

Enheden skal oppbevares med dekselet av for å gi tilstrekkelig ventilasjon og gode tørkeforhold.

sted som er beskyttet mot frost. Enheden skal oppbevares med dekselet av for å gi tilstrekkelig ventilasjon og gode tørkeforhold.

## Kontakt/reservedeler

Hvis du ønsker produktinformasjon eller reservedeler, kan du kontakte Hozelock Cyprio forbrukertjenester på +44 (0)121 313 1122 eller gå til [www.hozelock.com](http://www.hozelock.com)

## Fiskebestandtetthet

Under normale omstendigheter vil EasyClear™ støtte opptil 1.44 m (EasyClear™ 6000 & EasyClear™ 7500) eller 2.16 m (EasyClear™ 9000) fisk. Sett ut maksimalt 20 % av anbefalt fiskemengde de første ukene, og øk til maksimalt 50 % etter seks måneder. På denne måten kan fisken vokse.

## Hozelock Cyprio Clearwater-garanti

**VI GARANTERER DEG KLART VANN, ELLERS FÅR DU PENGENE DINE TILBAKE.**

**NOTE: I ENKELTE TILFELLER KAN DET TA OPPTIL 6-8 UKER FØR VANNET DITT BLIR KLART.**

Garantien gjelder i tolv måneder etter kjøpsdatoen forutsatt at:

- Du har fulgt installasjons- og bruksanvisningen.
- Du bruker utstyr av riktig størrelse og utrustningsnivå.
- Du tar kontakt med kundetelefonen vår (+44 (0)121 313 1122) på et tidlig tidspunkt, slik at problemet kan løses.
- Produktet returneres i uskadet stand.

Refusjon kan kun godkjennes av Hozelock Cyprio, og gis kun på utsalgsstedet for filterets kjøpspris. Merk at Clearwater-garantien ikke dekker tap av vannklarhet hvis det skyldes ugresstepper, og ikke grønnalger.

## 3 års garanti

Hvis denne enheten, med unntak av rotorenheten, filterskummet og UV-lampen blir ubrukbare i løpet av tre år. Hvis dette produktet blir ubrukelig innen to år etter kjøpsdato, blir det reparert eller skiftet ut kostnadsfritt, avhengig av hva vi bestemmer oss for, med mindre det etter vår mening er skadet. Vi påtar oss ikke ansvar for skade som har oppstått på grunn av uhell, feil installasjon eller bruk.

Ansvar er begrenset til erstatning av enheten med feil. Denne garantien er ikke overførbar. Den påvirker ikke forbrukerrettighetene dine.

For å nyte godt av garantien, vennligst kontakt Hozelock Cyprio kundeservice først, som vil kunne med Hozelocks kundeservice, som vil kunne be om at produktet, sammen med kjøpsbeviset, sendes direkte til adressen nedenfor.

**SKADER SOM ER FORÅRSAKER VED AT EasyClear™ HAR VÆRT I GANG UTEN VANN ELLER FROST VIL GJØRE GARANTIEN UGYLDIG.**

## Feilsøking

Vennligst les avsnittene vedr. sikkerhet i denne veiledningen før du utfører noen utbedringstiltak på EasyClear™! Det kan også være nødvendig å referere til vedlikeholdsavsnittet i denne veiledningen.

### LITEN STRØMMING FRA PUMPE

- a - Skummet kan være hindret og trenge rengjøring
- b - Se til at buret er rent utvendig.
- c - Fjern eventuelle hindringer og juster strømningskontroller.
- d - Sjekk at den hvite klaffen inni pumpekammeret beveger seg fritt.
- e - Sikre at rotoren er ren og beveger seg fritt.

### FONTENENS EFFEKT ER DÅRLIG

- a - Som overfor
- b - Gjør ren fontenens øvre del.

### UV-LAMPE VIRKER IKKE

- a - Sjekk at strømtilførsel er koblet til.
- b - Sjekk sikring, RCD og ledningsnett.
- c - Skift ut lampen.
- d - Overbelastningsvernet kan ha vært i drift - vennligst se Overbelastningsvern-delen.

### PUMPEN VIRKER IKKE

- a - Sjekk at strømtilførsel er koblet til.
- b - Sjekk sikring, RCD og ledningsnett.
- c - Sjekk at rotoren ikke er hindret av noe.
- d - Overbelastningsvernet kan ha vært i drift - vennligst se Overbelastningsvern-delen.
- e - Se til at buret er rent utvendig.
- f - Se etter inntrengning av vann i nærheten av lampen.

## Tekniset tiedot

Delenummer	1764	1766	1768
Model	6000	7500	9000
Volts	230V 50Hz	230V 50Hz	230V 50Hz
UVC-strøm (W)	9	11	13
UVC-strøm (W)	40	43	55
Maksimal damstørrelse uden fisk	6000 ltr (1319 gal)	7500 ltr (1648 gal)	9000ltr (1978 gal)
Maksimal damstørrelse med fisk	4000 ltr (879 gal)	5000 ltr (1099 gal)	6000 ltr (1319 gal)
Maksimal strømning, QMaks., (l/t)	1700 lph (374 gph)	1700 lph (374 gph)	2850 lph (627 gph)
Max Head, Hmax, (m)	2m	2m	2.3m
IP-merking	IPX8	IPX8	IPX8
Maks. vanntemperatur Tmaks., (°C)	35°C	35°C	35°C

\* Målt i kontrollerte forhold



Ikke kast elektriske apparater som usortert restavfall. Bruk egne innsamlingsstasjoner. Kontakt kommunen for å få informasjon om tilgjengelige innsamlingsystemer. Hvis elektriske apparater kastes i depoter eller på tipper, kan farlige stoffer lekke ut i grunnvannet og komme inn i næringskjeden, og dermed skade helse og velvære. Når gamle apparater byttes med nye, er forhandlerne i EU juridisk forpliktet til å ta det gamle apparatet tilbake for gratis avhending.

## DK

Tak, fordi du har valgt et kvalitetsprodukt fra Hozelock. Du kan være sikker på mange års pålidelig drift fra dette produkt.

## INSTALLATIONS- OG DRIFTSVEJLEDNING



LÆS DENNE VEJLEDNING GRUNDIGT IGENNEM, FØR INSTALLATION FORSØGES.

**HVIS DE FØLGENDE ADVARSLER IKKE FØLGES, KAN DET MEDFØRE PERSONSKADE, BESKADIGELSE AF PRODUKTET ELLER TAB AF FISK. GEM DENNE VEJLEDNING TIL SENERE BRUG.**

Fontæne- og vandfaldspumpen Hozelock Cyprio EasyClear™ er desinget til nedsænket brug i udendørsbassiner.

## Pas på: Advarsel - UV

Dette apparat indeholder en UV-C strålingskilde. Utsigtet brug af apparatet eller beskadigelse af huset kan medføre udslip af farlig UV-C stråling. UV-C stråling kan selv i små doser beskadige øjne og hud. Lampen er forsynet med en blokeringsindretning, der vil slukke lampen, når bajonetten fjernes (fig. 8-X).

Når lampen er tændt, kan du kontrollere dens drift i mørke omgivelser ved at se efter, om der er et blåligt lys fra UV-indikatorlinsen (Fig. 1-A). Produktet må ikke være i drift, uden at vand strømmer gennem det.

**Advarsel: Forsøg ikke at anvende UV-C**

strålingskilden, når den er fjernet fra apparatets hus.

**Advarsel: Apparatet skal frakobles fra forsyningsnettet, før UV-C-strålingskilden frakobles.**

## Vigtigt

Apparatet må kun betjenes af eller under opsyn af en ansvarlig voksen, som er i stand til at benytte apparatet på en sikker facon, og som er indforstået med de iboende farer. Brug og opbevar dette apparat utilgængeligt for børn og personer med reducerede fysiske, sensoriske og mentale færdigheder.

## Warning: Safety & Electrical Connections

- 1.1 ADVARSEL: MAN SKAL ALTID TAGE STIKKET UD AF KONTAKTEN ELLER KOBLE ALT BASSINUDSTYR FRA FORSYNINGSNETTET, FØR MAN PUTTER HÆNDERNE NED I VANDET, NÅR UDSTYRET INSTALLERES, REPARERES, VEDLIGEHOLDES ELLER HÅNDBTERES PÅ NOGEN MÅDE.**
- 1.2** Dette filter er kun beregnet til brug i hoveddam. Brug ikke dette filter til noget andet formål (brug f.eks. ikke dette filter i swimmingpools, etc.). Hvis dette produkt bruges til andre formål, kan det medføre personskade eller beskadigelse af produktet. Denne pumpe må ikke betjenes, når der befinder sig personer i vandet.
- 1.3** Apparatet, der tydeligvis er beskadiget, må ikke anvendes.

1.4 Det klare rør i enheden er lavet af kvartsglas, og der skal udvises forsigtighed under installation og vedligeholdelse. Vi anbefaler at benytte øjenværn og egnede handsker.

1.5 Fjern ikke pumpen fra dens udendørskabinet, og forsøg ikke at betjene den uden. Brug af enheden uden udendørskabinet kan ugyldiggøre din garanti.

#### 1.6 **Vigtigt:**

Dette produkt leveres med 10 m el-ledning med tre kerner. Ledningsstikket, der leveres med dette produkt, er ikke vandtæt, og det skal tilsluttes til forsyningsnettet i en tør, vejrbestandig indkapsling i overensstemmelse med de lokale bestemmelser.

Permanente installationer på forsyningsnettet (fastmonterede forbindelser) skal overholde de nationale og lokale elmyndigheders krav. Kontakt en faglært elektriker eller de lokale elmyndigheder, hvis du skulle være i nogen som helst tvivl om, hvordan ledningsføringen tilkobles til forsyningsnettet.

1.7 Hvis der benyttes forlængerledning, skal denne sluttes til enhedens ledning ved brug af et vandtæt stik. Samlingen skal placeres i et passende vandtæt kabinet. Forlængerledningen skal bestå af et isoleret 0,75mm<sup>2</sup> polychloropren-gummikabel med tre kerner (se: H05 RN-F), som skal være permanent tilsluttet forsyningsnettet som beskrevet ovenfor i 1.6.

1.8 **ADVARSEL:** Dette apparat SKAL jordforbindes, og det er vigtigt, at forbindelserne etableres ved hjælp af følgende kode:

- Brun - strømførende
- Blå - neutral
- Grøn/gul - jord.

1.9 Udsatte kabler skal placeres med omtanke og beskyttes med armerede kabelrør, især hvis der er risiko for kontakt med haveredskaber som gravegrebe og græsslåmaskiner eller børn og husdyr.

1.10 Anvend ikke dette produkt, hvis netledningen på nogen måde er blevet beskadiget. Forsyningsledningen er permanent monteret og forsejlet til pumpen og kan ikke udskiftes. Hvis ledningen er beskadiget, skal enheden kasseres i overensstemmelse med lokale bestemmelser.

1.11 En fejlstrømsafbryder (RCD) på maksimalt 30mA SKAL monteres til forsyningsnettet.

1.12 Permanente installationer på forsyningsnettet (fast monterede forbindelser) skal overholde de lokale elmyndigheders krav. Kontakt en faglært elektriker eller de lokale elmyndigheder, hvis du skulle være i nogen som helst tvivl om, hvordan

ledningsføringen tilkobles til forsyningsnettet.

1.13 Benyt ikke forsyningsledningen til at løfte enheden, eftersom dette kan forårsage skade. Vi anbefaler montering af et løftekabel på krogdelen i bunden af produktet, når filteret installeres på dybt vand. (Fig. 1-F). Hvis filteret skal flyttes, skal produktet slukkes og tømmes for vand først ved brug af denne wire.

1.14 Undlad at tænde for pumpen, når den ikke er nedsænket i vand! Vandniveauet skal befinde sig over UVC-indikatoren ved kugleledet (Fig. 4A-L).

1.15 Undlad at betjene eller efterlade enheden i frostvejr. (Se afsnittet "Vinteropbevaring").

1.16 Dette produkt er ikke egnet til vandtemperaturer over 35 °C eller under 0 °C.

1.17 Brug kun tilbehør, der er beregnet til brug på dette produkt. Hvis andet tilbehør eller reservedele bruges, kan garantien bortfalde.

## Beskyttelse imod overbelastning

Med henblik på at sikre lang levetid for EasyClear og forebygge skader er der monteret en termisk overbelastningsbeskyttelse. Den slukker for pumpen eller UV-lampen, hvis nogen af disse dele overophedes. Hvis dette opstår, skal du slukke for strømmen ved strømforsyningen til enheden. Hvis det er pumpen, der har aktiveret overbelastningsbeskyttelsen, skal du bestemme årsagen (som regel fragmenter, der blokerer ind sugningen til pumpen eller kompresserhullet). Fjern fragmenterne, og vent 15 minutter, indtil enheden er kølet ned. Tænd den derefter igen.

Hvis det er UV-lampen, der har aktiveret overbelastningsbeskyttelsen (pumpen kører stadig, men UV-lampen går ud efter et kort øjeblik), bedes du kontakte Hazelock Consumer Services på +44 (0)121 313 1122.

**Husk:** Lampen er forsynet med en låseanordning, der slukker for lampen, hvis bajonetten fjernes (Fig. 8-X), så du kan kun se, om lampen fungerer i mørke forhold ved at se efter et blåligt lys fra springvandets udløb (Fig. 1-A) med bajonettrøret i låst position.

**BEMÆRK: DU SKAL SLUKKE FOR STIKKONTAKTEN, FØR ENHEDEN NULSTILLES.**

**FORSIGTIG:** Med henblik på at forebygge sikkerhedsrisici pga. utilsigtet nulstilling af den termiske overbelastningsbeskyttelse, må dette produkt ikke benyttes sammen med en ekstern tændingsenhed, f.eks. en timer, eller sluttes til et kredsløb, der jævnligt tændes og slukkes af forsyningsnettet.

## Driftstider

Filteret skal køre 24 timer i døgnet. Det bør helst

køre hele året rundt, men skal i det mindste køre i hele fodringssæsonen (dvs. indtil vandtemperaturen kommer ned under 10 °C, og fiskene holder op med at tage føde til sig). Ved at lade pumpen og filteret køre om vinteren vil der blive opretholdt et vist indhold af nyttige bakterier i det biologiske filter, og dette vil bidrage til at forhindre, at bassinet fryser til. Enheden må dog ikke fryse til. Hvis enheden slukkes for vinteren, skal filteret vaskes grundigt, før filtreringen påbegyndes om foråret (se "Vinteropbevaring"). Fiskene må aldrig fodres, når enheden ikke er i brug.

## Før brug for første gang

Forkert håndtering af dette produkt under transport kan resultere i skader på kvartsrøret. Inspicer kvartsrøret og forseglingen før installation.

Se afsnittet "Vedligeholdelse" for at få oplysninger om, hvordan du får adgang til kvartsrøret og lampen.

## Installation

**Position** - Konstruer en fast og plan platform, hvorpå EasyClear™ skal placeres. Platformen skal være større end 300 mm (12") under vandniveau. Ved dybder mellem 300 mm og 600 mm skal fontænenes stammeforlængerdele (Fig. 1-K) bruges. De er nemme at skru sammen og gør det muligt at placere fontænen over vandniveau. Se Fig. 4 for at få oplysninger om overordnet installation. Når du bruger EasyClear til et vandfald, skal hele enheden nedsænkes.

**Tilslutning** - Placer enheden ved siden af bassinet, og led kablet tilbage til forsyningsnettet. Sørg for, at du trækker tilstrækkeligt med ledning til at placere produktet på det ønskede sted i bassinet.

## Samling af tilbehør

**Klokkefontæne (Fig. 1).**

Placer klokkestøttedelen (B) på klokkens hoveddel (C), og tryk den helt på plads. Placer klokken (D) på samlingen, og tryk den ind på midten. Isæt denne del i justeringsanordningen til fontænegennemstrømning (Fig 1-H).

**2. og 3. afsnit til fontænedelen (Fig. 1-G).**

Plastikskiverne (Fig. 1-E), der skaber den 2. og 3. vandudsmykning klikkes ganske enkelt på fontænenes stamme. Tryk fontænenes stramme ind i stammeforlængerdelen, og skru den fast på fontæneudløbet (Fig. 1-H).

## Drift med fontænen alene

**Bemærk:** Det er ikke muligt at lukke vandfaldsudløbet helt (Fig. 1-I). På den måde kan vandet altid bypasses ind i bassinet, selvom fontænehovedet bliver blokeret, hvilket sikrer klart vand. Hvis bassin vandet ikke klare tilstrækkeligt, kan det være nødvendigt at lade mere vand bypasses

ind i bassinet ved at åbne vandfaldsudløbet.

**Fontænehovederne med to og tre afsnit klikkes ganske enkelt på fontænenes stamme. Fontænenes vinkel kan justeres til vandret ved brug af et kugleled (Fig. 2-L). Kugleleddets tilstræmningsgrad kan justeres (Fig. 2-M). Om nødvendigt kan fontænehovedet med to afsnit bruges til at opnå et alternativt og højere udsmykningmønster end fontænehovedet med tre afsnit.**

Fontænenes højde kan justeres efter behov ved at dreje justeringsenheden til fontænegennemstrømning (Fig. 3B-N). Drej justeringsanordningen til vandfaldet (Fig. 3A-O), indtil det er lukket, med for at opnå den maksimale fontænehøjde.

Klokkefontænen skaber en dekorativ "vandklokke". Klokkens størrelse kan justeres efter behov ved at dreje justeringsenheden til fontænegennemstrømning (Fig. 3B-N).

Installer og positioner pumpen som tidligere beskrevet, og tænd den.

## Drift af fontæne og vandfald

Monter en passende længde (maks. 3 m) 25 mm (1") slange på slangeenden til vandfaldets justeringsanordning (Fig. 3A-Q), fastgør den med en passende slangeklips, og placer udløbsenden af slangen i den ønskede position.

Skru justeringsanordningen til vandfaldet fast på vandfaldsudløbet på forsiden af EasyClear™ (Fig. 3A-Q).

Når pumpen er driftsklar, kan gennemstrømningen for vandfaldet og højden af fontænen justeres uafhængigt ved brug af justeringsanordningen til fontænen (Fig. 3B-N) og justeringsanordningen til vandfaldet (Fig. 3A-O).

Installer og positioner pumpen som tidligere beskrevet, og tænd den.

## Drift med vandfaldet alene

**(Fig. 4 vedrører den overordnede installationsvejledning)**

Skru blændproppen fast på fontæneudløbet (Fig. 3A-P).

Monter en passende længde (maks. 3 m) 25 mm (1") slange på slangeenden til vandfaldets justeringsanordning (Fig. 3A-O), fastgør den med en passende slangeklips, og placer udløbsenden af slangen i den ønskede position.

Skru justeringsanordningen til vandfaldet fast på vandfaldsudløbet på forsiden af EasyClear™ (Fig. 3A-Q).

Juster gennemstrømningen ved brug af justeringsanordningen til vandfaldet, (Fig. 3A-O), så den passer til dine behov.



Installer og positioner pumpen som tidligere beskrevet, og tænd den.

## UVC-drift

UVC aktiveres automatisk, når enheden er blevet sluttet til forsyningsnettet, hvis bajonetrøret er fastlåst korrekt.

UVC-lampens drift kan kontrolleres ved at se efter et blåligt lys fra kugleleddets udløb (Fig. 1-A). Bemærk, at dette kun er synligt i omgivelser med svagt lys.

Se afsnittet Vedligeholdelse for at få oplysninger om udskiftning af lampen.

## Vedligeholdelse

Hozelock Cyprio EasyClear™ er blevet designet til hurtig og nem vedligeholdelse. Som med alt andet bassinudstyr skal det lejlighedsvis rengøres, og dele skal udskiftes.

**ADVARSEL: Afbryd dette produkt fra forsyningsnettet, og se afsnittet "Sikkerhed og elektriske tilslutninger", før du forsøger på at udføre nogen form for vedligeholdelse.**

### Fontænehoved (Fig. 1-E)

Følg nedenstående procedure, hvis fontænehovedet er tilstoppet:

- 1 - Placer en mønt eller lignende i sprækken, og løft forsigtigt fontænehovedet af.
- 2 - Skyl delen i rent vand, og sæt den tilbage.

### Skum

Følg nedenstående procedure, hvis gennemstrømningen lader til at være blevet reduceret:

- 1 - Frigør skumdækslet ved at trykke på de to knapper (Fig. 5-R), og løft op i dækslet (Fig. 6-S).
- 2 - Fjern skummet (Fig. 7-T). Bemærk: Hvis enheden løftes ud af bassinet i mere end 20 minutter, ophører det biologiske filter muligvis med at fungere. Skyl det grundigt i bassinvand (brug ikke rindende vand).
- 3 - Skumdækslet og -basen bør også renses i bassinvand (brug ikke postevand).
- 4 - Det kan også være nødvendigt at rense biomedierne og stenene (Fig. 7-U), hvis disse er blevet tilstoppede. Om nødvendigt skal biomedier og sten skylles i bassinvand alene.
- 5 - Saml filteret igen.

### Kvartsrør

Følg nedenstående procedure, hvis bassinet forbliver grønt:

- 1 - Fjern bajonettens låseskrue (Fig. 8-V), drej, og løft bajonetrøret (Fig. 8-W) op.
- 2 - Rengør kvartsrøret. Udvis ekstra omhyggelighed ved håndtering af kvartsrøret. I områder med hårdt vand bliver kvartsrøret dækket af kalk, hvilket

reducerer effektiviteten. Rengør røret med en blød klud og et mildt afkalkningsmiddel (f.eks. eddike og vand), og skyl delene i vand, før de sættes tilbage.

- 3 - Saml bajonetrøret igen, skru det i, og genstart (Fig. 8-X).

**Advarsel! Pas på ikke at beskadige kvartsrøret, før det sættes i igen.**

### Udskiftning af lampen

Følg nedenstående procedure, hvis lampen skal udskiftes eller ikke tænder:

Udskift lampen ved begyndelsen på en ny sæson. Selvom lampen stadig lyser, afgiver den muligvis ikke nyttig UV-stråling. Hvor godt EasyClear™ yder, afhænger af styrken af den UV-stråling, der genereres. Strålingen aftager gradvist fra første ibrugtagning. UVC-lampen har en effektiv levetid på 12 måneder. Du skal skifte lampen, når der er markant reduktion i vandets klarhed. Sørg for, at dette skyldes en nedslidt lampe og ikke et ringe vedligeholdt filter eller en snavset/tilkalket kvartskappe. Begge kan reducere UV-transmission i vandet markant.

- 1 - Fjern bajonettens låseskrue (Fig. 8-V), drej, og løft bajonetrøret (Fig. 8W) op.
- 2 - Skru kvartsrørets låsering (Fig. 9-Y-i) løs. Hold forsigtigt i kvartsrøret (Fig. 9-Y-ii), løft det op, og fjern det sammen med dets O-ringe (Fig. 9-Y-iii) og låsering.
- 3 - Fjern den gamle lampe ved forsigtigt at trække den ud af dens holder (Fig. 9-Z). Kasser den gamle lampe i overensstemmelse med lokale bestemmelser, og monter den nye lampe.
- 4 - Skub kvartsrøret ned over lampen. Sørg for, at de to O-ringe ved bunden af kvartsrøret er rene og fri for snavs.
- 5 - Skub låseringen ned over kvartsrøret, og skru den ned på plads. Skru den nedad, indtil låseringens stopper rammer husets stopper, således at ringen ikke kan skrues mere nedad.
- 6 - Saml bajonetrøret igen, skru det i, og genstart (Fig. 8-X).

**Advarsel! Sørg for, at kvartsrøret er samlet korrekt, således at det skaber en helt vandtæt forsegling.**

Kontroller tilstanden af de to O-ringe på kvartsrørsdelen (Fig. 9-Y-iii). Hvis der er nogen former for skader, eller du ikke kan skabe en vandtæt forsegling, skal du kontakte Hozelock Consumer Services.

### Biologisk filter

Normalt er der ikke behov for at fjerne biomedier, eftersom evt. rengøring kan dræbe de bakteriekolonier, der gør giftigt vand uskadeligt. Hvis biomedierne bliver voldsomt tilstoppede og kræver rengøring, skal du følge denne procedure.

- 1 - Fjern skummet.
- 2 - Psen med Kaldnes Biomedia (Fig. 7-U) kan efterfølgende fjernes af hensyn til rengøring.
- 3 - Vask i bassinband.
- 4 - Saml filteret igen, og genstart.

### Rengøring/udskiftning af rotor

Hvis der ikke pumpes vand, eller gennemstrømningen reduceres, skal du fjerne kvartsrøret og lampen som beskrevet ovenfor og derefter følge nedenstående procedure.

- 1 - Frigør skumdækslet ved at trykke på de to knapper (Fig. 5-R), og løft op i dækslet (Fig. 6-5).
- 2 - Fjern skummet (Fig. 7-T), biomedierne (Fig. 7-U) og stenposen.
- 3 - Vend enheden om, fjern de fire fastgøringsskruer (Fig. 10-AA), og løft den nederste del fri af enheden.
- 4 - Fjern de to fastgøringsskruer (Fig. 10-BB), og løft pumpedelen fri af enheden.
- 5 - Drej pumpekammeret mod uret (Fig. 10-CC), og løft det frit af enheden. Rotoren kan nu trækkes ud af hensyn til rengøring og udskiftning (Fig. 10-DD).

**Vigtigt! Pas ekstra godt på ikke at tabe nogen af de små dele.**

**Se Fig. EasyClear™ 10A vedr. samling af rotorerne til EasyClear™ 6000 og rotorerne til EasyClear™ 7500 og Fig. 10B vedr. samling af rotoren til EasyClear 9000.**

- 6 - Saml pumpen igen med de to fastgøringsskruer (Fig. 10-BB).
- 7 - Træk ledningen på ny (Fig. 10-EE).
- 8 - Saml filteret igen, og genstart.

## Pleje af pumpen året rundt

Der bør udføres en hurtig kontrol dagligt med henblik på at sikre, at pumpen arbejder tilfredsstillende.

Én gang om ugen - fjern det udvendige kabinet og fontænehovedet i overensstemmelse med de overordnede vedligeholdelsesbemærkninger.

Afhængigt af bassinvands tilstand er rengøring muligvis påkrævet oftere.

Én gang om året - adskil enheden helt, herunder rotordelen, som beskrevet i de

overordnede vedligeholdelsesbemærkninger, og vask alle komponenter i rent, friskt vand.

Udskift nedslidte eller defekte dele.

## Opbevaring om vinteren

Når enheden ikke er i brug, skal den fjernes, omhyggeligt vaskes og rengøres, tørres og stilles til opbevaring i et tørt område beskyttet imod frost. Enheden skal altid opbevares med skummet og skumlåget af for at sikre god udluftning og tørring.

## Kontakt/reservedele

Du kan få produktrådgivning og oplysninger om reservedele ved at kontakte Hozelock Cyprio Consumer Services på 0121 313 1122 eller besøge [www.hozelock.com](http://www.hozelock.com)

## Fiskebestand og -tæthed

Under normale betingelser undersøger EasyClear™ op til 1,44 m fisk (EasyClear™ 6000 & EasyClear™ 7500) eller 2,16 m fisk (EasyClear™ 9000). Tilføj fiskene langsomt i løbet af de første uger – op til 20 % af det anbefalede maksimumsniveau – og forøg derefter dette til 50 % efter seks måneder. Restkapaciteten vil tillade fiskevækst.

## Hozelock Cyprio klartvandsgaranti

**VI GARANTERER DIG KLART VAND ELLER DINE PENGE TILBAGE.**

**BEMÆRK: I VISSE TILFÆLDE KAN DET TAGE OP TIL 6-8 UGER, FØR VANDET BLIVER KLART.**

Denne garanti gælder i 12 måneder efter købsdato under forudsætning af, at

- Du har fulgt installations- og driftsvejledningen.
- Du benytter udstyr af den korrekte størrelse og til den korrekte bestand.
- Du kontakter vores hjælpelinje (0121 313 1122) i rette tid, så problemer kan udbedres.
- Varen returneres i uskadt tilstand.

En refundering kan kun autoriseres af Hozelock Cyprio og kan kun finde sted på indkøbsstedet til værdien af købsprisen for EasyClear™ alene. Købsbevis er påkrævet. Bemærk venligst, at klartvands garantien ikke dækker vandklarhedstab, når englæder frem for grøntvandsalger er årsagen hertil.

## 3 års produktgaranti

Hvis denne enhed, ekskl. rotordel, filterskum og UV-lampe, bliver uservicebar inden for tre år efter indkøbsdatoen, vil den alt efter vores vurdering blive repareret eller udskiftet gratis, medmindre det efter vores mening er blevet beskadiget eller misbrugt. Vi påtager os intet ansvar for skader, der skyldes uheld, ukorrekt installation eller brug.

Vort ansvar er begrænset til udskiftning af en defekt enhed. Denne garanti kan ikke overføres. Den påvirker ikke dine lovmæssige rettigheder.

Før du kan gøre brug af garantien, skal du kontakte Hozelock Cyprio Consumer Services, som kan anmode om at få produktet tilsendt sammen med bevis på købet direkte til adressen nedenfor.

**SKADER FORÅRSAGET VED DRIFT AF EasyClear™ UDEN VAND ELLER I FROSTVEJR UGYLDIGGØR GARANTIEN.**

## Fejlfinding

Læs sikkerhedsafsnittet i disse instruktioner, før du forsøger på at udbedre fejl på EasyClear™! Det kan også være nødvendigt at se vedligeholdelsesafsnittet tilhørende disse instruktioner.

### LAV GENNEMSTRØMNING FRA PUMPE

- a – Skummet kan være blokeret og kræver rengøring
- b - Sørg for, at yderburet er rent.
- c - Fjern evt. blokerende genstande, og juster gennemstrømningskontrollerne.
- d - Kontroller, at den hvide flap inden i pumpekammeret kan bevæge sig frit.
- e - Sørg for, at rotoren er ren og kan bevæge sig frit.

### FORRINGET YDELSE FOR fontænen

- a – Som ovenfor
- b - Rengør fontænehovedet.

### UV-LAMPE FUNGERER IKKE

- a - Kontroller, at strømforsyningen er tændt.
- b - Kontroller sikring, RCD og ledning.
- c - Udskift lampen.
- d - Overbelastningsbeskyttelsen kan være

blevet udløst – se afsnittet Beskyttelse imod overbelastning.

### PUMPE FUNGERER IKKE

- a - Kontroller, at strømforsyningen er tændt.
- b - Kontroller sikring, RCD og ledning.
- c - Kontroller, at rotoren ikke er blokeret.
- d - Overbelastningsbeskyttelsen kan være blevet udløst – se afsnittet Beskyttelse imod overbelastning.
- e - Kontroller, at yderburet er rent.
- f – Kontroller, om der er vandindtrængning i lampeområdet.



Elektrisk udstyr må ikke bortskaffes som usorteret kommunalt affald. Brug faciliteter til separat indsamling. Kontakt din kommune for information om de tilgængelige indsamlingssystemer. Hvis elektrisk udstyr bortskaffes på lossepladser eller affaldspladser, kan farlige stoffer sive ned i grundvandet og komme ind i fødekæden. Dette har en negativ indvirkning på sundhed og velvære. Når gammelt udstyr udskiftes med nyt, er forhandlere i EU juridisk forpligtet til at tage dit gamle udstyr tilbage med henblik på bortskaffelse – i det mindste gratis for dig.

## Tekniske specifikationer

Varenummer	1764	1766	1768
Model	6000	7500	9000
Volt	230V 50Hz	230V 50Hz	230V 50Hz
UVC-effekt (W)	9	11	13
Samlet effekt (W)	40	43	55
Maksimal bassin størrelse uden fisk	6000 ltr (1319 gal)	7500 ltr (1648 gal)	9000ltr (1978 gal)
Maksimal bassin størrelse med fisk	4000 ltr (879 gal)	5000 ltr (1099 gal)	6000 ltr (1319 gal)
Maks. gennemstrømningshastighed, Qmax, (lpt)	1700 lph (374 gph)	1700 lph (374 gph)	2850 lph (627 gph)
Maks. hoved, Hmax, (m)	2m	2m	2.3m
IP-klassifikation	IPX8	IPX8	IPX8
Maks. vandtemperatur Tmax, (°C)	35°C	35°C	35°C

\* Målt under kontrollerede forhold

Obrigado por ter escolhido um produto da qualidade Hozelock, poderá ficar descansado com a fiabilidade de serviço deste produto durante muitos anos.

## INSTRUÇÕES DE INSTALAÇÃO E FUNCIONAMENTO



**LEIA ATENTAMENTE ESTAS INSTRUÇÕES ANTES DE INSTALAR ESTE PRODUTO.**

**O INCUMPRIMENTO DOS AVISOS SEGUINTE PODERÁ RESULTAR EM LESÕES, DANOS NO PRODUTO OU PROVOCAR A MORTE DOS PEIXES.**

**GUARDE ESTAS INSTRUÇÕES PARA CONSULTAS FUTURAS.**

A bomba para fonte ou queda de água EasyClear™ da Hozelock Cyprio foi concebida para utilização em lagos exteriores. Possui uma unidade integrada que proporciona Filtração Mecânica e Biológica através de um Clarificador de Ultravioletas e uma Fonte e Queda de água.

### Atenção: Precaução relativa a UV

Este aparelho contém um emissor de radiação UV-C. A utilização indevida do aparelho ou danos causados na caixa de protecção podem resultar na fuga de radiação UV-C perigosa. A radiação UV-C pode, mesmo em pequenas quantidades, causar danos nos olhos e na pele. A lâmpada é instalada com um dispositivo de bloqueio que desligará a lâmpada na eventualidade da baioneta ser removida (fig. 8-X).

Quando ligada, pode verificar se a lâmpada está a funcionar tentando observar, em ambientes escuros, um brilho azulado a partir da saída da Fonte (Fig. 1-A). Não coloque o produto em funcionamento em seco.

**Aviso: não tente colocar o emissor de UV-C em funcionamento quando este tiver sido removido da caixa de protecção do aparelho.**

**Aviso: o aparelho deve ser desligado da fonte de alimentação antes de substituir o emissor de UV-C.**

### Importante

Este aparelho apenas deve ser utilizado por ou sob a supervisão de um adulto responsável que seja capaz de utilizar o aparelho de forma segura e que compreenda os perigos envolvidos. Utilize e armazene este aparelho fora do alcance das crianças e de pessoas com capacidades físicas, sensoriais ou mentais reduzidas.

### Aviso: Segurança e ligações eléctricas

**1.1 AVISO: DESLIGUE OU DESCONECTE SEMPRE DA REDE DE ALIMENTAÇÃO ELÉCTRICA**

**TODOS OS APARELHOS QUE SE ENCONTREM NO LAGO ANTES DE COLOCAR AS MÃOS NA ÁGUA ENQUANTO O EQUIPAMENTO ESTIVER A SER INSTALADO, CONSERTADO, REVISTO OU MANIPULADO DE QUALQUER FORMA.**

- 1.2 Este filtro foi concebido para utilização apenas em lagos de jardim. Não use este filtro para qualquer outra finalidade (ou seja, não utilize este filtro em piscinas de natação, etc.). Utilizar o produto para qualquer outra aplicação poderá resultar em lesões ou em danos para o produto. Esta bomba não deve ser utilizada se estiverem pessoas dentro de água.
- 1.3 Os aparelhos que estiverem francamente danificados não devem ser postos em funcionamento.
- 1.4 O tubo transparente no interior da unidade é fabricado em vidro de quartzo e deverá tomar o devido cuidado durante a instalação e manutenção. Recomendamos a utilização de protecção para os olhos e luvas adequadas.
- 1.5 Não retire, nem coloque em funcionamento a bomba a partir da caixa de protecção exterior. Utilizar a bomba sem a respectiva caixa de protecção exterior poderá invalidar a garantia.
- 1.6 **Importante:**  
Este produto é fornecido com um cabo eléctrico de 3 condutores com 10 m. A ficha fornecida com este produto não é à prova de água e deve ser ligada à fonte de alimentação no interior de um recinto seco e resistente a condições meteorológicas adversas de acordo com os seus regulamentos locais.  
As instalações permanentes à fonte de alimentação (cablagem fixa) têm de respeitar os regulamentos de cablagem nacionais e locais. Consulte um electricista devidamente qualificado ou as autoridades locais em caso de dúvida sobre a cablagem de ligação à fonte de alimentação.
- 1.7 Caso seja necessário um cabo de extensão, o mesmo deve ser ligado à extremidade do cabo da unidade através de um conector de cabos resistente a condições meteorológicas adversas. A junção deve ser posicionada numa estrutura adequada resistente às condições meteorológicas adversas. O cabo de extensão deve ser um cabo isolado com borracha de polidloropreno, com 3 condutores de 0,75 mm<sup>2</sup> (ref.: H05 RN-F) e deve ser permanentemente ligado à fonte de alimentação, tal como descrito acima no ponto 1.6.
- 1.8 **AVISO:** Este aparelho TEM DE possuir uma ligação à terra e é essencial que todas as ligações sejam feitas com a utilização do seguinte código:

- CASTANHO - positivo
  - AZUL - neutro
  - VERDE/AMARELO - ligação à terra.
- 1.9 Os cabos expostos deverão ser posicionados com cuidado e protegidos por protecções blindadas, especialmente se existe o risco de contacto com equipamento de jardinagem, tais como forquilhas e cortadores de relva, ou crianças e animais domésticos.
  - 1.10 Não opere este produto se o cabo da fonte de alimentação tiver sido danificado de qualquer forma. O cabo eléctrico encontra-se permanentemente ligado e selado à bomba e não pode ser substituído. Se o cabo estiver danificado, a unidade deverá ser eliminada de acordo com os regulamentos locais.
  - 1.11 DEVE ligar um Disjuntor de Corrente Residual (DCR) máxima de 30 mA à fonte de alimentação.
  - 1.12 As instalações permanentes à fonte de alimentação (cablagem fixa) têm de respeitar os regulamentos de cablagem nacionais e locais. Consulte um electricista devidamente qualificado ou as autoridades locais em caso de dúvida sobre a cablagem de ligação à fonte de alimentação.
  - 1.13 Não utilize o cabo de alimentação para levantar a unidade, pois poderá danificar a mesma. Recomendamos a instalação de uma corda de içamento junto ao gancho existente na base, quando o filtro estiver instalado em águas profundas. (Fig. 1-F). Se for necessário mover o produto, este deverá ser desligado e içado da água com a ajuda desta corda.
  - 1.14 Não desligue a bomba quando esta já estiver fora de água! O nível da água deverá ser mantido acima do indicador UVC na junta esférica (Fig. 4A-L).
  - 1.15 Não opere, nem deixe a unidade em condições de congelamento. (Consulte a secção “Armazenamento durante o inverno”).
  - 1.16 Este produto não é adequado para temperaturas de água superiores a 35° C ou inferiores a 0° C.
  - 1.17 Utilize apenas acessórios que foram concebidos para serem utilizados com este produto. A utilização de quaisquer outros acessórios ou peças suplentes pode invalidar a sua garantia.

## Protecção contra sobrecargas

Para ajudar a garantir que o seu aparelho EasyClear tem um ciclo de vida longo e para prevenir danos, este encontra-se equipado com uma protecção automática contra sobrecargas térmicas. Esta desliga a bomba ou a lâmpada UV na eventualidade de sobreaquecimento

de qualquer uma delas. Se isto ocorrer, desligue a alimentação junto à fonte de alimentação da unidade. Se a Protecção contra sobrecargas estiver a ser activada pela bomba, procure a sua origem (é normal que os detritos bloqueiem a entrada da bomba ou obstruam o rotor). Remova a obstrução e aguarde 15 minutos para que a unidade arrefeça. Posteriormente, volte a ligá-la.

Se a Protecção contra sobrecargas estiver a ser activada pela lâmpada UV (a bomba continua a funcionar mas a lâmpada UV apaga-se depois de funcionar por breves momentos), por favor, contacte a Linha de Apoio dos Serviços de Assistência ao Consumidor da Hozelock através do número +44 (0)121 313 1122.

Lembre-se: A lâmpada é instalada com um dispositivo de bloqueio que desligará a lâmpada na eventualidade da baioneta ser removida (Fig. 8-X), pelo que apenas poderá ver se a lâmpada está funcionar em ambientes escuros, procurando por um brilho azulado a partir da saída da fonte (Fig. 1-A) com o tubo da baioneta fixado na respectiva posição.

### **NOTA: TEM DE DESLIGAR A ALIMENTAÇÃO ANTES QUE A UNIDADE SE REINICIE.**

**CUIDADO:** Para evitar um perigo que comprometa a segurança devido a um reinício inadvertido da protecção de sobrecarga térmica, este produto não deve ser usado com um dispositivo de activação externo, tal como um temporizador, nem deve ser ligado a um circuito que seja ligado e desligado regularmente pelo fornecimento de electricidade.

## Períodos de Funcionamento

Mantenha o filtro a funcionar 24 horas por dia. Idealmente deveria funcionar todo o ano, ou, pelo menos, durante a estação em que os peixes se alimentam (ou seja, até que a temperatura da água desça abaixo de 10° C e os peixes deixem de se alimentar). No inverno, o funcionamento da unidade manterá um nível mínimo de bactérias benéficas no Filtro biológico e ajudará a evitar que o lago se cubra de gelo. Contudo, não deve permitir que a unidade congele. Se desligar a unidade durante o inverno, lave-a meticulosamente antes de voltar a utilizá-la na primavera (consulte a secção “Armazenamento durante o inverno”). Nunca alimente os peixes quanto a unidade não estiver a funcionar.

## Antes da primeira utilização

O manuseamento incorrecto deste produto durante o transporte pode resultar em danos para o tubo de quartzo. Inspeccione o tubo de quartzo e o vedante antes da instalação.

Consulte a secção “Manutenção” para obter mais informações sobre o tubo de quartzo e a lâmpada.

## Instalação

**Posicionamento** - Construa uma plataforma sólida e nivelada sobre a qual irá colocar o aparelho EasyClear™. A plataforma deverá estar posicionada mais do que 300 mm (12") abaixo do nível da água. Para profundidades entre 300 mm e 600 mm, utilize os segmentos de extensão do veio da fonte (Fig. 1-K), que basta serem aparafusados uns aos outros, para permitir que a fonte se encontre acima do nível da água. Para instalações gerais, consulte a Fig. 4. Quando estiver a utilizar o aparelho EasyClear como queda de água, a unidade completa deve estar submersa.

**Ligação** - Posicione a unidade junto ao lago e encaminhe o cabo de volta à fonte de alimentação. Certifique-se de que dispõe de cabo suficiente para posicionar o produto na localização desejada dentro do lago.

## Montagem dos acessórios

**Fonte em campânula (Fig. 1).**

Posicione o Suporte da campânula (B) junto ao Corpo principal da campânula (C) e encaixe completamente. Posicione a campânula (D) junto à montagem do corpo e prima para encaixar na localização central. Introduza este conjunto no Regulador de caudal da fonte (Fig. 1-H).

**Conjunto de distribuição da água da fonte em 2 e 3 camadas (Fig. 1-G).**

Os discos de plástico (Fig. 1-E) que criam uma distribuição da água em 2 e 3 camadas encaixam facilmente no veio da fonte. Empurre o veio da fonte para dentro do segmento de extensão do veio da fonte e aparafuse-o ao Regulador de caudal da fonte (Fig. 1-H).

## Funcionamento apenas como fonte

**Por favor, note: não é possível fechar por completo a saída da queda de água (Fig. 1-I). Esta situação destina-se a permitir que a água passe sempre para o lago, mesmo que a cabeça da fonte fique bloqueada, permitindo assim obter água limpa. Se a água do lago não estiver a ficar suficientemente limpa, pode ser necessário deixar passar mais água para o lago abrindo a saída da queda de água.**

As cabeças da fonte com 2 e 3 camadas encaixam facilmente no veio da fonte. O ângulo da fonte pode ser ajustado para permanecer na vertical utilizando a junta esférica (Fig. 2-L). A estanquidade da junta esférica pode ser ajustada (Fig. 2-M). Se necessário, a Cabeça da fonte com 2 camadas pode ser utilizada para conseguir obter um padrão de distribuição da água alternativo e mais elevado do que o de 3 camadas.

A altura da fonte pode ser ajustada para satisfazer

as suas necessidades rodando o Regulador de caudal da fonte (Fig. 3B-N). Rode o Regulador da queda de água (Fig. 3A-O) até à posição de fechado para obter a altura máxima da fonte.

A Fonte em campânula cria uma “campânula em água” decorativa. O tamanho da campânula pode ser ajustado para satisfazer as suas necessidades, pelo que deverá rodar o Regulador de caudal da fonte (Fig. 3B-N).

Instale e posicione a bomba tal como descrito anteriormente e ligue o aparelho.

## Funcionamento como fonte e queda de água

Ligue uma mangueira de 25 mm (1") com o comprimento adequado (máximo de 3 m) ao terminal de mangueira do Regulador da queda de água (Fig. 3A-Q), prenda com uma abraçadeira de mangueira adequada e posicione o terminal de saída da mangueira na posição desejada.

Aparafuse o Regulador da queda de água à saída da queda de água na parte frontal da unidade EasyClear™ (Fig. 3A-Q).

Assim que a bomba estiver a funcionar, o caudal da queda de água e a altura da fonte podem ser ajustados independentemente utilizando o Regulador da fonte (Fig. 3B-N) e o Regulador da queda de água (Fig. 3A-O).

Instale e posicione a bomba tal como descrito anteriormente e ligue o aparelho.

## Funcionamento apenas como queda de água

**(Consulte a Fig. 4 para obter orientações de instalação gerais)**

Aparafuse o tampão obturador na saída da fonte (Fig. 3A-P).

Ligue uma mangueira de 25 mm (1") com o comprimento adequado (máximo de 3 m) ao terminal de mangueira do Regulador da queda de água (Fig. 3A-O), prenda com uma abraçadeira de mangueira adequada e posicione o terminal de saída da mangueira na posição desejada.

Aparafuse o Regulador da queda de água à saída da queda de água na parte frontal da unidade EasyClear™ (Fig. 3A-Q).

Ajuste o caudal utilizando o Regulador da queda de água (Fig. 3A-O) de acordo com as suas necessidades.

Instale e posicione a bomba tal como descrito anteriormente e ligue o aparelho.

## Funcionamento dos UVC

A radiação UVC ligar-se-á automaticamente assim que a unidade for ligada ao fornecimento de



electricidade se o tubo da baioneta estiver colocado correctamente na respectiva posição.

Pode verificar se a lâmpada UVC está a funcionar procurando observar um brilho azulado a partir da saída da junta esférica (Fig. 1-A). Note que esta apenas poderá estar visível em ambientes com pouca luz.

Consulte a secção Manutenção para obter indicações sobre a substituição da lâmpada.

## Manutenção

A unidade EasyClear™ da Hozelock Cyprio foi concebida para permitir que a manutenção seja efectuada de forma rápida e fácil. Tal como com todo o equipamento para lagos, ocasionalmente, será necessário limpar ou substituir peças.

**AVISO:** Desligue este produto do fornecimento de electricidade e consulte a secção “Segurança e ligações eléctricas” antes de tentar efectuar quaisquer tarefas de manutenção.

### Cabeça da fonte (Fig. 1-E)

Siga o procedimento abaixo se a cabeça da fonte estiver bloqueada:

- 1 - Coloque uma moeda ou algo similar na ranhura e eleve cuidadosamente a cabeça da fonte.
- 2 - Enxagúe com água limpa e volte a montar.

### Espuma

Siga o procedimento abaixo se lhe parece que o caudal é reduzido:

- 1 - Retire a Tampa da espuma empurrando os dois botões (Fig. 5-R) e levante a tampa (Fig. 6-S).
- 2 - Remova a espuma (Fig. 7-T). Nota: se a unidade for retirada do lago durante mais de 20 minutos, o filtro biológico pode parar de funcionar. Enxagúe meticulosamente com água do lago (não utilize água da torneira).
- 3 - A Tampa da espuma e a Base deverão ser enxaguadas com água do lago (não utilize água da torneira).
- 4 - Também poderá ser necessário limpar os meios biológicos e as pedras (Fig. 7-U) se estes estiverem obstruídos. Se tal for necessário, os meios biológicos e as pedras deverão ser enxaguados apenas com água do lago.
- 5 - Volte a montar o filtro.

### Tubo de Quartzo

Siga o procedimento abaixo se o seu lago permanecer verde:

- 1 - Retire o parafuso de bloqueio da baioneta (Fig. 8-V), rode e eleve o tubo da baioneta (Fig. 8-W).
- 2 - Limpe o tubo de quartzo. Tenha cuidado redobrado quando manusear o tubo de quartzo. Em áreas com águas duras, o tubo de quartzo poderá ficar coberto por calcário, o que reduzirá

a eficiência. Limpe o tubo com um pano macio e um descalcificador suave (tal como uma solução de vinagre e água) e enxague em água antes de voltar a colocar no respectivo local.

- 3 - Volte a montar o tubo da baioneta, aparafusando-o e, posteriormente, reinicie a unidade (Fig. 8-X).

**Aviso!** Certifique-se de que o tubo de quartzo não se encontra danificado antes de voltar a instalá-lo.

### Substituição da lâmpada

Siga o procedimento abaixo se a lâmpada precisar de ser substituída ou não acender:

Mude a lâmpada no início da nova estação. Mesmo que a lâmpada ainda brilhe, esta poderá não estar a emitir qualquer

radiação UV útil. A eficácia do desempenho da unidade EasyClear™ está relacionada com a força da radiação UV produzida. Esta produção irá declinar lentamente a partir do dia que a lâmpada é ligada. A lâmpada UVC tem um ciclo de vida efectivo de 12 meses. Precisa de mudar a lâmpada quando existe uma redução significativa da clareza da água. Certifique-se se isto é devido a uma lâmpada fora da validade ou se é devido a um filtro com uma manutenção fraca ou um tubo de quartzo sujo/ com calcário. Ambas as situações podem reduzir grandemente a transmissão de UV na água.

- 1 - Retire o parafuso de bloqueio da baioneta (Fig. 8-V), rode e eleve o tubo da baioneta (Fig. 8-W).
- 2 - Desaparafuse o colarinho de bloqueio do tubo de quartzo (Fig. 9-Y-i). Segure cuidadosamente no tubo de quartzo (Fig. 9-Y-ii), levante-o e remova-o juntamente com os respectivos o-rings (Fig. 9-Y-iii) e colarinho de fixação.
- 3 - Retire a lâmpada antiga, puxando-a cuidadosamente pelo seu suporte (Fig. 9-Z). Elimine a lâmpada antiga de acordo com os regulamentos locais e coloque a lâmpada nova.  
Faça deslizar o tubo de quartzo por cima da lâmpada. Certifique-se de que os dois o-rings existentes na base do tubo de quartzo estão limpos e sem detritos.
- 5 - Deslize o colarinho de fixação por cima do tubo de quartzo e aparafuse-o. Deverá aparafusar até que a trava do colarinho de fixação toque na trava da caixa de protecção, pelo que o colarinho já não consegue continuar a ser aparafusado.
- 6 - Volte a montar o tubo da baioneta, aparafusando-o e, posteriormente, reinicie a unidade (Fig. 8-X).

**Aviso!** Certifique-se de que o tubo de quartzo é montado correctamente para que proporcione uma vedação completa estanque à água.

Verifique o estado dos dois o'rings existentes no conjunto do tubo de quartzo (Fig. 9-Y-iii). Se estes estiverem danificados de alguma forma ou não possa garantir a existência de uma vedação estanque à água, contacte os Serviços de Assistência ao Consumidor da Hozelock.

### Filtro biológico

Normalmente, não há necessidade de remover os meios biológicos uma vez que qualquer limpeza poderá matar as colónias de bactérias que tornam os resíduos tóxicos inofensivos. Contudo, se os meios biológicos ficarem fortemente obstruídos e não necessitarem de limpeza, siga este procedimento.

- 1 - Retire a espuma.
- 2 - O saco de meios biológicos Kaldnes (Fig. 7-U) pode então ser removido para limpeza.
- 3 - Lave com água do lago.
- 4 - Volte a montar o filtro e reinicie a unidade.

### Limpeza/substituição do rotor

Se nenhuma água for bombeada ou se o caudal for reduzido, retire o tubo de quartzo e a lâmpada tal como descrito acima e depois siga o procedimento abaixo.

- 1 - Retire a Tampa da espuma empurrando os dois botões (Fig. 5-R) e levante a tampa (Fig. 6-S).
- 2 - Retire a espuma (Fig. 7-T), os meios biológicos (Fig. 7-U) e o saco de pedras.
- 3 - Vire a unidade ao contrário e retire os 4 parafusos de fixação (Fig. 10-AA) e desimpeça o acesso à base.
- 4 - Retire os 2 parafusos de fixação (Fig. 10-BB) e desimpeça o acesso ao conjunto da bomba.
- 5 - Rode a câmara da bomba no sentido anti-horário (Fig. 10-CC) e desimpeça o seu acesso. O rotor pode agora ser extraído para limpeza e substituição (Fig. 10-DD).

**Importante! Tome cuidados redobrados para não deixar cair nenhum dos componentes mais pequenos.**

**Consulte a Fig. 10A da unidade EasyClear™ para obter indicações de montagem do rotor da unidade EasyClear™ 6000 e EasyClear™ 7500 e a Fig. 10B para obter indicações de montagem do rotor da unidade EasyClear 9000.**

- 6 - Volte a montar a bomba e os 2 parafusos de fixação (Fig. 10-BB).
- 7 - Volte a encaminhar o cabo (Fig. 10-EE).
- 8 - Volte a montar o filtro e reinicie a unidade.

### Cuidados a ter com a bomba durante todo o ano

Deverá executar uma rápida verificação diária para garantir que a bomba está a funcionar de forma

satisfatória.

Uma vez por semana - Retire a estrutura exterior e a cabeça da fonte de acordo com as instruções gerais de manutenção.

Dependendo das condições do lago, pode necessitar de efectuar a limpeza com mais frequência.

Uma vez por ano - Desmonte completamente a unidade, incluindo o conjunto de rotor, tal como descrito nas instruções gerais de manutenção e lave todos os componentes com água corrente limpa.

Substitua as peças gastas ou quebradas.

### Armazenamento durante o inverno

Quando não estiver a ser utilizada, a unidade deve ser removida e deve ser muito bem lavada, enxugada, limpa e armazenada em local seco e protegido da geadá. Armazene sempre a unidade sem a espuma e a tampa da espuma para garantir que permanece devidamente ventilada e seca.

### Contactos/Peças suplentes

Para obter aconselhamento sobre produtos e peças suplentes, por favor, contacte os Serviços de Assistência ao Consumidor da Hozelock Cyprio através do número 0121 313 1122 ou visite [www.hozelock.com](http://www.hozelock.com)

### Densidade de povoamento com peixes

Em condições normais, a unidade EasyClear™ suportará até 1,44 m (EasyClear™ 6000 e EasyClear™ 7500) ou até 2,16 m (EasyClear™ 9000) de peixes. Introduza os primeiros peixes lentamente ao longo das primeiras semanas, até 20% do nível máximo recomendado, aumentando até 50% depois de seis meses. A diferença permitirá a reprodução dos peixes.

### Garantia de águas límpidas da Hozelock Cyprio

**GARANTIMOS QUE OBTÉM ÁGUA LÍMPIDA OU DEVOLVEMOS O SEU DINHEIRO.**

**NOTA: EM ALGUNS CASOS PODERÁ DEMORAR ATÉ 6-8 SEMANAS PARA QUE A SUA ÁGUA FIQUE LIMPA.**

Esta garantia é válida por 12 meses após a data da compra, desde que

- Tenha seguido as instruções de instalação e funcionamento.
- Tenha utilizado o equipamento com o tamanho e nível de armazenamento correctos.
- Consulte a nossa Linha de Apoio (0121 313 1122) atempadamente para que os problemas possam ser corrigidos.
- O produto tenha sido devolvido sem danos.

Um reembolso apenas pode ser autorizado pela Hozelock Cyprio e é feito apenas no local de compra

até ao valor do preço de compra que diga respeito apenas a equipamento EasyClear™. Será necessário apresentar a Prova de Compra. Por favor, note que a Garantia de Águas Limpidas não abrange a perda da clareza da água provocada por mantos de algas, contrariamente à existência de algas que dão uma tonalidade verde à água.

### 3 Anos de garantia do produto

Se esta unidade ficar inutilizada no prazo de 3 anos, excluindo o Conjunto de Rotor, a Espuma do Filtro e a Lâmpada UV

a contar da data de aquisição, esta será reparada ou substituída gratuitamente, conforme nossa decisão, a não ser que, na nossa opinião, tenha sido danificada. Não aceitamos responsabilidade por danos causados por acidentes, instalações incorrectas ou má utilização.

A garantia está limitada à substituição da unidade avariada. Esta garantia não pode ser transferida. Isto não afecta os seus direitos estatutários.

Para obter as vantagens desta garantia, em primeiro lugar deve contactar os Serviços de Assistência ao Consumidor da Hozelock Cyprio, que poderão solicitar que o filtro seja enviado juntamente com a prova de compra directamente para o endereço abaixo.

### OS DANOS PROVOCADOS NA UNIDADE EasyClear™ DEVIDO AO SEU FUNCIONAMENTO SEM ÁGUA OU DEVIDO A GELO INVALIDAM A GARANTIA.

### Detecção de falhas

Por favor, leia as secções sobre segurança destas instruções antes de executar quaisquer medidas de reparação na unidade EasyClear™! Também poderá ser necessário consultar a secção sobre manutenção destas instruções.

### CAUDAL REDUZIDO A PARTIR DA BOMBA

- a – As espumas podem estar bloqueadas e a necessitarem de limpeza.
- b - Certifique-se de que a estrutura exterior está limpa.

- c - Limpe quaisquer bloqueios e ajuste os controlos do caudal.
- d - Verifique se a lâmina branca existente no interior da câmara se move livremente.
- e - Certifique-se de que o rotor está limpo e move-se livremente.

### DISTRIBUIÇÃO FRACA DA ÁGUA DA FONTE

- a – Tal como acima
- b - Limpe a cabeça da fonte.

### A LÂMPADA UV NÃO ESTÁ A FUNCIONAR

- a - Verifique se a fonte de alimentação está ligada.
- b - Verifique o fusível, o disjuntor de corrente residual (DCR) e a cablagem.
- c - Substitua a lâmpada.

- d - A Protecção contra sobrecargas foi accionada – consulte a secção Protecção contra sobrecargas.

### A BOMBA NÃO ESTÁ A FUNCIONAR

- a - Verifique se a fonte de alimentação está ligada.
- b - Verifique o fusível, o disjuntor de corrente residual (DCR) e a cablagem.
- c- Verifique se o rotor não está bloqueado.
- d - A Protecção contra sobrecargas foi accionada – consulte a secção Protecção contra sobrecargas.
- e - Certifique-se de que a estrutura exterior está limpa.
- f – Verifique a existência de entrada de água na área da lâmpada.



Não elimine os dispositivos eléctricos como lixo municipal não separado. Utilize as instalações de recolha específicas para estes materiais. Contacte as autoridades locais para obter informações sobre os sistemas de recolha disponíveis. Se os aparelhos eléctricos forem eliminados em aterros ou lixeiras, as substâncias perigosas podem ser vertidas para as águas subterrâneas e passarem para a cadeia alimentar, danificando a sua saúde e o seu bem-estar. Na União Europeia, aquando da substituição de aparelhos antigos por novos, o revendedor é obrigado legalmente a recolher gratuitamente o seu aparelho antigo para eliminação.

### Informações técnicas

Número da peça	1764	1766	1768
Modelo	6000	7500	9000
Volts	230V 50Hz	230V 50Hz	230V 50Hz
Potência UVC (W)	9	11	13
Potência total (W)	40	43	55
Tamanho máximo do lago sem peixes	6000 ltr (1319 gal)	7500 ltr (1648 gal)	9000ltr (1978 gal)
Tamanho máximo do lago com peixes	4000 ltr (879 gal)	5000 ltr (1099 gal)	6000 ltr (1319 gal)
Caudal Máx., QMáx., (lph)	1700 lph (374 gph)	1700 lph (374 gph)	2850 lph (627 gph)
Cabeça Máx., Hmax, (m)	2m	2m	2.3m
Classificação IP	IPX8	IPX8	IPX8
Temperatura máx. da água, Tmáx., (° C)	35°C	35°C	35°C

\* Medido sob condições controladas

Dziękujemy za wybór wysokiej jakości produktu Hozelock, który zapewni wiele lat niezawodnej pracy.

## INSTRUKCJA INSTALACJI I OBSŁUGI



**PRZED INSTALACJĄ NALEŻY DOKŁADNIE ZAPOZNAĆ SIĘ Z NINIEJSZĄ INSTRUKCJĄ.**

**NIEPRZESTRZEGANIE PONIŻSZYCH ZALECEŃ MOŻE PROWADZIĆ DO URAZÓW CIAŁA, USZKODZEŃ PRODUKTU LUB ŚMIERCI RYB.**

**INSTRUKCJĘ NALEŻY ZACHOWAĆ DO WYKORZYSTANIA W PRZYSZŁOŚCI.**

Pompa Hozelock Cyprio EasyClear™ do fontanny i wodospadu przeznaczona jest do pracy pod wodą w zbiornikach wodnych znajdujących się na zewnątrz pomieszczeń. Jest to zintegrowane urządzenie, które zapewnia mechaniczną i biologiczną filtrację i współpracuje z odstojnikiem UV oraz fontanną i wodospadem.

### Uwaga: Ostrzeżenie o działaniu promieniowania ultrafioletowego

Urządzenie jest wyposażone w emiter promieni UV-C. Niezamierzone użycie urządzenia lub uszkodzenie obudowy mogą powodować emisję niebezpiecznego promieniowania UV-C. Promieniowanie UV-C, nawet w małych dawkach, może powodować uszkodzenia oczu i skóry. Lampa jest wyposażona w blokadę, która wyłącza lampę w przypadku zdjęcia bagnetu (rys. 8-X).

Niebieskawy blask widoczny w ciemności przez wylot fontanny wskazuje prawidłowe działanie włączonej lampy (rys. 1-A). Urządzenia nie należy uruchamiać na sucho.

**Ostrzeżenie: Nie uruchamiać wyjętego z obudowy emitera promieni UV-C.**

**Ostrzeżenie: Przed wymianą promiennika UV-C urządzenie należy odłączyć od źródła zasilania.**

### Ważne

Urządzenie to może być używane wyłącznie przez dorosłą osobę lub pod nadzorem dorosłej osoby, która potrafi obsługiwać to urządzenie w bezpieczny sposób oraz, która rozumie powiązane zagrożenia. Urządzenie należy używać oraz przechowywać poza zasięgiem dzieci oraz osób o ograniczonych zdolnościach fizycznych, sensorycznych lub umysłowych.

### Ostrzeżenie: Bezpieczeństwo oraz połączenia elektryczne

**1.1 OSTRZEŻENIE: PRZED WŁOŻENIEM RĄK DO WODY W CELU PRZEPROWADZENIA INSTALACJI, NAPRAWY, KONSERWACJI LUB INNYCH CZYNNOŚCI WSZYSTKIE**

### URZĄDZENIA ZNAJDUJĄCE SIĘ W ZBIORNIKU WODNYM ZAWSZE NALEŻY ODŁĄCZYĆ OD ŹRÓDŁA ZASILANIA.

- 1.2 Filtr jest przeznaczony wyłącznie do użytku w sadzawkach ogrodowych. Filtra nie należy używać w innych celach (tzn. nie używać filtra w basenach itp.). Używanie urządzenia do innych celów może spowodować urazy ciała lub uszkodzenie produktu. Nie wolno używać tej pompy, gdy w wodzie znajdują się ludzie.
- 1.3 Nie wolno używać urządzeń, które są w widoczny sposób uszkodzone.
- 1.4 Przezroczysta rurka wewnątrz urządzenia jest wykonana ze szkła kwarcowego, dlatego podczas instalacji i konserwacji należy zachować ostrożność. Zalecamy stosowanie okularów ochronnych oraz odpowiednich rękawic ochronnych.
- 1.5 Nie wyjmować ani nie uruchamiać modułu pompy wyjętego z zewnętrznej obudowy. Używanie urządzenia bez zewnętrznej obudowy może spowodować unieważnienie gwarancji.
- 1.6 **Ważne:**  
Urządzenie jest wyposażone w 3-żyłowy kabel o długości 10 metrów. Wtyczka dostarczona z urządzeniem nie jest wodoodporna i zgodnie z miejscowymi przepisami należy ją osłonić suchą, odporną na warunki atmosferyczne obudową. Stałe instalacje elektryczne muszą być zgodne z krajowymi i lokalnymi przepisami. W razie jakichkolwiek wątpliwości przy podłączeniu do źródła zasilania należy zwrócić się do wykwalifikowanego elektryka lub miejscowego zakładu energetycznego.
- 1.7 Jeśli wymagany jest kabel przedłużający, należy przyłączyć go do kabla urządzenia przy użyciu wodoodpornego złącza. Złącze musi znajdować się w odpowiedniej wodoodpornej obudowie. Kabel przedłużający powinien być 3-żyłowy, a przekrój przewodu powinien wynosić 0,75 mm<sup>2</sup>, a izolacja powinna być wykonana z polichloroprenu i gumy (ref.: H05 RN-F) i musi być na stałe podłączony do źródła zasilania, jak opisano w punkcie 1.6.
- 1.8 **OSTRZEŻENIE:** Urządzenie MUSI BYĆ UZIEMIIONE, a połączeń należy dokonać według następującego schematu:
  - Przewód BRĄZOWY – fazowy
  - Przewód NIEBIESKI – neutralny
  - Przewód ZIELONO-ŻÓŁTY – ochronny
- 1.9 Odsloniętym kablom należy zapewnić bezpieczny przebieg i dodatkowo zabezpieczyć rurę ochronną, zwłaszcza, jeśli występuje zagrożenie kontaktu ze sprzętem ogrodowym

takim jak widły i kosiarki lub z dziećmi i zwierzętami domowymi.

- 1.10 Urządzenia nie należy użytkować, jeśli kabel zasilający został w jakikolwiek sposób uszkodzony. Kabel zasilający jest podłączony na stałe, odpowiednio zaizolowany i nie można go odłączać. Jeśli kabel jest uszkodzony, należy zutylizować go zgodnie z lokalnymi przepisami.
- 1.11 Źródło zasilania MUSI być wyposażone w wyłącznik różnicowoprądowy (RCD) o maksymalnej czułości 30 mA.
- 1.12 Stałe instalacje elektryczne muszą być zgodne z krajowymi i lokalnymi przepisami elektrycznymi. W razie jakichkolwiek wątpliwości przy podłączeniu do źródła zasilania należy zwrócić się do wykwalifikowanego elektryka lub miejscowego zakładu energetycznego.
- 1.13 Nie podnosić urządzenia, ciągnąć za kabel zasilający, ponieważ może to spowodować uszkodzenie urządzenia. Zalecamy zamocowanie linki do zaczepu podstawy, jeśli filtr znajduje się w głębszej wodzie. (rys. 1-F). W razie konieczności przemieszczenia produktu, należy najpierw wyłączyć go i wyciągnąć z wody przy użyciu tej linki.
- 1.14 Nie włączać pompy poza zbiornikiem wodnym! Poziom wody powinien znajdować się powyżej wskaźnika UVC na przegubie kulowym (rys. 4A-L).
- 1.15 Nie używać ani nie przechowywać produktu w warunkach grożących zamrożeniem. (Patrz rozdział „Przechowywanie w okresie zimowym”).
- 1.16 Urządzenie nie jest przeznaczone do użytkowania w wodzie o temperaturze powyżej 35°C lub poniżej 0°C.
- 1.17 Do urządzenia należy dobierać wyłącznie przeznaczone dla niego akcesoria. Używanie innych akcesoriów lub części zamiennych może spowodować utratę gwarancji.

## Zabezpieczenie przeciężeniowe

Aby zapewnić długotrwałą żywotność pompy EasyClear oraz uchronić ją przed uszkodzeniem, wyposażyliśmy ją w automatyczne termiczne zabezpieczenie przeciężeniowe. Umożliwia ono wyłączenie pompy lub lampy UV w przypadku przegrzania danego elementu. W takim przypadku należy odłączyć urządzenie od źródła zasilania. Jeśli zabezpieczenie przeciężeniowe zostanie uruchomione przez pompę, należy sprawdzić przyczynę (najczęściej są to zanieczyszczenia blokujące wylot pompy lub zablokowany wirnik). Należy usunąć przyczynę zablokowania i odczekać 15 minut, aby urządzenie ostygło. Następnie należy włączyć urządzenie.

Jeśli zabezpieczenie przeciężeniowe zostało

uruchomione przez lampę UV (pompa nadal pracuje, ale lampa UV wyłącza się po krótkotrwałej pracy), należy skontaktować się z infolinią działu pomocy HozeLock pod numerem +44 (0)121 313 1122.

**Ważne:** Lampa jest wyposażona w blokadę, która wyłącza lampę w przypadku zdjęcia bagnetu (rys. 8-X). W związku z tym, aby ustalić, czy lampa pracuje, należy sprawdzić w ciemności, czy widać niebieskie światło wydobywające się z otworu fontanny (rys. 1-A), gdy bagnet jest zamontowany na swoim miejscu.

## PRZED ZRESETOWANIEM URZĄDZENIA NALEŻY ODŁĄCZYĆ URZĄDZENIE OD ŹRÓDŁA ZASILANIA.

**PRZESTROGA:** Aby uniknąć zagrożenia związanego z bezpieczeństwem na skutek nieprawidłowego zresetowania termicznego zabezpieczenia przeciężeniowego, nie wolno używać zewnętrznego urządzenia załączającego, takiego jak wyłącznik czasowy ani podłączać urządzenia do instalacji, która jest regularnie włączana i wyłączana”.

## Czas pracy

Filtr powinien pracować 24 godziny na dobę. W optymalnych warunkach filtr powinien funkcjonować przez cały rok, a przynajmniej w okresie karmienia ryb (tj. aż temperatura wody spadnie poniżej 10°C). Eksploatacja filtra i pompy w okresie zimowym pozwala utrzymać odpowiednie środowisko bakteryjne w filtrze biologicznym oraz chroni przed zamarznięciem zbiornika wodnego. Jednak nie wolno dopuścić do zamarznięcia urządzenia. Jeśli urządzenie jest wyłączone w okresie zimowym, należy dokładnie je umyć przed rozpoczęciem filtracji wiosną (patrz „Przechowywanie w okresie zimowym”). Nie należy karmić ryb, jeśli urządzenie nie działa.

## Przed pierwszym użyciem

Nieprawidłowe obchodzenie się z tym produktem podczas transportu może spowodować uszkodzenie rurki ze szkła kwarcowego. Przed montażem należy sprawdzić stan rurki ze szkła kwarcowego oraz uszczelnienia.

Więcej informacji na temat dostępu do rurki ze szkła kwarcowego oraz lampy można znaleźć w sekcji „Konserwacja”.

## Instalacja

**Umiejscowienie** – należy przygotować trwałą i równą platformę do umieszczenia urządzenia EasyClear™. Platforma powinna znajdować się poniżej 300 mm od poziomu wody. W przypadku głębokości od 300 mm do 600 mm należy korzystać z elementów przedłużających trzonka (rys. 1-K), które montuje się przez skręcanie, aby fontanna znajdowała się ponad poziomem wody. Montaż jest przedstawiony na rys. 4. Jeśli pompa EasyClear jest używana do obsługi wodospadu, całe urządzenie musi być zanurzone.

**Podłączenie** – umieścić urządzenie obok zbiornika wodnego i doprowadzić kabel do źródła zasilania. Należy pozostawić odpowiednią długość kabla, aby można było swobodnie ustawić urządzenie w zbiorniku wodnym.

## Montaż akcesoriów

### Fontanna czaszowa (rys. 1).

Zmontować wspornik czaszy (B) z głównym korpusem czaszy (C). Umieścić czaszę (D) na zespole korpusu i wcisnąć na środku. Umieścić w regulatorze przepływu fontanny (rys. 1-H).

### Zespół 2- i 3-warstwowej kaskady fontanny (rys. 1-G).

Plastikowe tarcze (rys. 1-E) tworzące 2- i 3-warstwową kaskadę wodną nakłada się na trzonek fontanny. Włożyć trzonek fontanny do przedłużki trzonka fontanny i przykręcić do wylotu fontanny (rys. 1-H).

## Praca w trybie samej fontanny

**Uwaga: Nie można całkowicie zamknąć wylotu wodospadu (rys. 1-I). Dzięki temu woda zawsze może przepływać do zbiornika wodnego, nawet jeśli głowica fontanny ulegnie zablokowaniu. Zapewnia to ciągłość filtracji wody. Jeśli woda w zbiorniku wodnym nie jest filtrowana w wystarczającym stopniu, może być konieczne zwiększenie przepływu wody w zbiorniku wodnym, poprzez otwarcie wylotu wodospadu.**

2- oraz 3-warstwowa głowica fontanny mocowana jest na trzonku fontanny. Kąt fontanny można ustawić w pozycji pionowej za pomocą przegubu kulowego (rys. 2-L). Dokręcenie przegubu kulowego można regulować (rys. 2-J). W razie potrzeby można użyć głowicy fontanny 2-warstwowej w celu uzyskania alternatywnej i wyższej kaskady niż w przypadku wersji 3-warstwowej.

Wysokość fontanny można regulować za pomocą regulatora przepływu fontanny (rys. 3B-N). Obrócić regulator wodospadu (rys. 3A-O) aż do pozycji zamkniętej, aby uzyskać maksymalną wysokość fontanny.

Fontanna czaszowa umożliwia uzyskanie dekoracyjnego efektu czaszy wodnej. Rozmiar czaszy można dostosować do własnych potrzeb za pomocą regulatora przepływu fontanny (rys. 3B-N).

Zamontować i ustawić pompę zgodnie z wcześniej zamieszczonym opisem i uruchomić ją.

## Obsługa fontanny i wodospadu

Podłączyć wąż 25 mm o odpowiedniej długości (maks. 3 m) do złącza węża wodospadu (rys. 3A-Q) i zamocować za pomocą odpowiedniej obejmy oraz ustawić koniec wylotu węża w odpowiednim położeniu.

Przykręcić regulator wodospadu do wylotu wodospadu z przodu urządzenia EasyClear™ (rys. 3A-Q).

Gdy pompa pracuje, można niezależnie regulować przepływ wody wodospadu oraz wysokość fontanny za pomocą regulatora fontanny (rys. 3B-N) oraz regulatora wodospadu (rys. 3A-O).

Zamontować i ustawić pompę zgodnie z wcześniej zamieszczonym opisem i uruchomić ją.

## Praca w trybie samego wodospadu

### (rys. 4 – ogólna instrukcja montażu)

Przykręcić zaślepkę na wylot fontanny (rys. 3A-P).

Podłączyć wąż 25 mm o odpowiedniej długości (maks. 3 m) do złącza węża wodospadu (rys. 3A-O) i zamocować za pomocą odpowiedniej obejmy oraz ustawić koniec wylotu węża w odpowiednim położeniu.

Przykręcić regulator wodospadu do wylotu wodospadu z przodu urządzenia EasyClear™ (rys. 3A-Q).

Wyregulować przepływ przy użyciu regulatora wodospadu (rys. 3A-O), zgodnie z wymaganiami.

Zamontować i ustawić pompę zgodnie z wcześniej zamieszczonym opisem i uruchomić ją.

## Działanie promiennika UVC

Promiennik UVC uruchamia się automatycznie po podłączeniu urządzenia do źródła zasilania, jeśli nakładka bagnetowa jest prawidłowo zamontowana.

Aby ustalić, czy lampa UVC działa, należy sprawdzić, czy z wylotu przegubu kulowego wydobywa się niebieskie światło (rys 1-A). Światło to jest widoczne jedynie w ciemności lub przy niskim poziomie oświetlenia.

Informacje na temat wymiany lampy można znaleźć w sekcji Konserwacja.

## Konserwacja

Urządzenie Hozelock Cyprio EasyClear™ zapewnia szybko i łatwo konserwację. Tak jak w przypadku innych urządzeń do zbiorników wodnych, urządzenie od czasu do czasu należy wyczyścić lub wymienić części.

**OSTRZEŻENIE: Przed podjęciem jakichkolwiek czynności konserwacyjnych należy odłączyć produkt od źródła zasilania i zapoznać się z sekcją „Bezpieczeństwo i podłączenie elektryczne”.**

### Głowica fontanny (rys. 1-E)

Jeśli głowica fontanny jest zablokowana, należy wykonać poniższą procedurę:

1. Podważyć głowicę fontanny za pomocą monety lub podobnego przedmiotu.
2. Wypłukać w czystej wodzie i zamontować.



## Pianka

Wykonać poniższą procedurę, jeśli przepływ jest ograniczony:

1. Zwolnić piankową osłonę, naciskając dwa przyciski (rys. 5-R) i podnieść osłonę (rys. 6-S).
2. Usunąć piankę (rys. 7-T). Uwaga: jeśli urządzenie znajduje się poza zbiornikiem wodnym dłużej niż 20 minut, filtr biologiczny może przestać działać. Przepłukać dokładnie w wodzie ze zbiornika (nie używać wody wodociągowej).
3. Piankowa osłonę oraz podstawę również należy wypłukać w wodzie ze zbiornika wodnego (nie używać wody wodociągowej).
4. Konieczne może być również wyczyszczenie materiału biologicznego oraz kamieni (rys. 7-U), jeśli elementy te są zapchane. Jeśli nie jest to konieczne, materiał biologiczny oraz kamienie należy przepłukać wyłącznie w wodzie ze zbiornika wodnego.
5. Założyć filtr.

## Rurka ze szkła kwarcowego

Należy przeprowadzić poniższą procedurę, jeśli zbiornik wodny nadal jest zielony:

1. Odkręcić śrubę mocującą bagnetu (rys. 8-V), przekręcić i podnieść rurkę bagnetu (rys. 8-W).
2. Wyczyścić rurkę ze szkła kwarcowego. Należy zachować szczególną ostrożność podczas wykonywania jakichkolwiek czynności związanych z rurką ze szkła kwarcowego. W przypadku twardej wody rurka ze szkła kwarcowego może ulec zakamienieniu, co spowoduje ograniczenie skuteczności jej działania. Wyczyścić rurkę miękką szmatką i użyć łagodnego środka odkamieniającego (np. roztworu octu z wodą) i wypłukać w wodzie przed zamontowaniem.
3. Zamontować rurkę bagnetu, dokręcić i uruchomić urządzenie (rys. 8-X).

**Ostrzeżenie! Przed montażem należy upewnić się, że rurka szkła kwarcowego nie jest uszkodzona.**

## Wymiana lampy

Należy wykonać poniższą procedurę, jeśli lampa wymaga wymiany lub nie świeci:

Wymienić lampę na początku nowego sezonu. Nawet jeśli lampa świeci, może nie emitować wystarczającego promieniowania UV. Skuteczność działania urządzenia EasyClear™ jest uzależniona od poziomu emisji promieniowania UV. Skuteczność promieniowania stopniowo spada od chwili pierwszego uruchomienia lampy. Żywotność lampy UVC wynosi 12 miesięcy. W przypadku znacznego ograniczenia przejrzystości wody należy wymienić lampę. Należy upewnić się, że problem jest spowodowany użytą lampą, a nie zanieczyszczonym filtrem lub brudnym/zakamienionym kołnierzem rurki ze szkła kwarcowego. Oba elementy mogą w dużym

stopniu ograniczyć emisję światła UV w wodzie.

1. Odkręcić śrubę mocującą bagnetu (rys. 8-V), przekręcić i podnieść rurkę bagnetu (rys. 8-W).
2. Odkręcić kołnierz blokujący rurki ze szkła kwarcowego (rys. 9-Y-i). Delikatnie przytrzymać rurkę ze szkła kwarcowego (rys. 9-Y-ii), podnieść i usunąć wraz z o-ringami (rys. 9-Y-iii) i pierścieniem mocującym.
3. Wyjąć starą lampę, delikatnie wyjmując ją z uchwytu (rys. 9-Z). Zużyta lampę usunąć zgodnie z lokalnymi przepisami i zamontować nową lampę.
4. Nałożyć rurkę ze szkła kwarcowego na lampę. Oba o-ringi znajdujące się na dole rurki ze szkła kwarcowego powinny być czyste.
5. Nałożyć kołnierz mocujący na rurkę ze szkła kwarcowego i przykręcić. Pierścień mocujący należy przykręcić aż do maksymalnego oporu śruby.
6. Zamontować rurkę bagnetu, dokręcić i uruchomić urządzenie (rys. 8-X).

Ostrzeżenie! Należy upewnić się, że rurka ze szkła kwarcowego jest prawidłowo zamontowana i zapewnia w pełni wodoodporne uszczelnienie.

Sprawdzić stan dwóch o-ringów zespołu rurki ze szkła kwarcowego (rys. 9-Y-iii). Jeśli są one uszkodzone lub nie można zapewnić całkowitej wodoszczelności, należy skontaktować się z działem obsługi klienta Hozelock.

## Filtr biologiczny

Z reguły nie ma potrzeby usuwania materiału biologicznego, ponieważ czyszczenie może zabić kolonie bakterii, które neutralizują toksyczne odpady. Jednak jeśli materiał biologiczny jest mocno zapchany i wymaga czyszczenia, należy przeprowadzić następującą procedurę.

1. Wyjąć piankę.
2. Następnie można wyjąć torebkę Kaldnes Biomedica (rys. 7-U) w celu wyczyszczenia.
3. Umyć w wodzie ze zbiornika wodnego.
4. Zamontować filtr i uruchomić urządzenie.

## Czyszczenie/wymiana wirnika

Jeśli urządzenie nie pompuje wody lub przepływ wody jest ograniczony, należy wyjąć rurkę ze szkła kwarcowego oraz lampę, zgodnie z powyższą procedurą, a następnie wykonać poniższą procedurę.

1. Zwolnić piankową osłonę, naciskając dwa przyciski (rys. 5-R) i podnieść osłonę (rys. 6-S).
2. Wyjąć piankę (rys. 7-T), materiał biologiczny (rys. 7-U) oraz torebkę z kamieniami.
3. Obrócić urządzenie i odkręcić 4 śruby mocujące (rys. 10-AA) oraz podnieść podstawę.
4. Odkręcić 2 śruby mocujące (rys. 10-BB) i podnieść zespół pompy.
5. Obrócić komorę pompy w lewo (rys. 10-CC) i

podnieść. W tej chwili można wyciągnąć wirnik w celu przeprowadzenia czyszczenia lub wymiany (rys. 10-DD).

**Ważne! Należy zachować szczególną ostrożność, aby nie upuścić żadnego z małych elementów.**

Rys. EasyClear™ 10A przedstawia montaż wirników EasyClear™ 6000 i EasyClear™ 7500, natomiast rys. 10B przedstawia montaż wirnika EasyClear 9000.

6. Złożyć pompę i przykręcić 2 śruby mocujące (rys. 10-BB).
7. Poprowadzić kabel (rys. 10-EE).
8. Zamontować filtr i uruchomić urządzenie.

## Całoroczna pielęgnacja pompy

Należy codziennie przeprowadzać krótką kontrolę stanu pompy.

Raz w tygodniu: zdjąć zewnętrzną obudowę i oraz głowicę fontanny zgodnie z ogólnymi procedurami konserwacji.

W zależności od stanu wody w zbiorniku wodnym czyszczenie może być wymagane częściej.

Raz w roku – rozebrać całkowicie urządzenie, w tym zespół wirnika, zgodnie z ogólną instrukcją konserwacji i umyć wszystkie elementy w czystej, świeżej wodzie.

Wymienić zużyte lub uszkodzone części.

## Przechowywanie w okresie zimowym

Gdy urządzenie nie jest używane, należy je dokładnie umyć i wyczyścić, wysuszyć i przechowywać w odpowiednio zabezpieczonym przed zamrożeniem miejscu. Podczas przechowywania urządzenia pianka oraz piankowa pokrywa powinny być zdjęte, aby zapewnić odpowiednią wentylację wyschnięcie.

## Kontakt/Części zamienne

Aby uzyskać informacje na temat produktów i części zamiennych, należy skontaktować się z biurem obsługi klienta firmy Hozelock Cyprio pod numerem telefonu 0121 313 1122 lub odwiedzić witrynę internetową [www.hozelock.com](http://www.hozelock.com)

## Zarybianie

W normalnych warunkach urządzenie EasyClear™ umożliwi hodowlę ryb do 1,44 m (EasyClear™ 6000 i EasyClear™ 7500) lub 2,16 m (EasyClear™ 9000). Zarybianie wprowadzać stopniowo, dochodząc po kilku tygodniach do 20% maksymalnego zalecanego poziomu zarybiania, zwiększając do 50% po sześciu miesiącach. Zachowanie równowagi sprzyja wzrostowi ryb.

## Gwarancja czystej wody Hozelock Cyprio Clearwater

**GWARANTUJEMY CZYSTĄ WODĘ LUB JESTEŚMY GOTOWI ZWRÓCIĆ PIENIĄDZE.**

**W NIEKTÓRYCH PRZYPADKACH CZAS CZYSZCZENIA WODY MOŻE WYNOŚIĆ DO 6–8 TYGODNI.**

Okres gwarancji wynosi 12 miesięcy od daty zakupu, pod warunkiem spełnienia przez użytkownika następujących wymogów:

- Zastosowanie się do instrukcji instalacji i obsługi.
- Stosowanie sprzętu o odpowiednim rozmiarze oraz zarybieniu.
- Kontakt z biurem obsługi (0121 313 1122) na tyle wcześniej, aby umożliwić właściwe rozpatrzenie problemu.
- Zwrot produktu w stanie nieuszkodzonym.

Upoważnienie do zwrotu pieniędzy wydaje wyłącznie firma Hozelock Cyprio, a jego realizacja następuje wyłącznie w miejscu zakupu w wysokości kosztu zakupu urządzenia EasyClear™. Wymagane jest okazanie dowodu zakupu. Należy pamiętać, że gwarancja Clearwater nie obejmuje przypadków, gdy przyczyną utraty klarowności wody jest występowanie zielenicy, a nie glonów zielonych.

## 3-letnia gwarancja na produkt

Jeśli to urządzenie, z wyjątkiem zespołu wirnika, pianki filtra oraz lampy UV, będzie niezdatne do użytku w ciągu 3 lat

od daty zakupu, zostanie ono przez nas bezpłatnie naprawione lub wymienione, chyba że, według naszej opinii, zostało uszkodzone lub było nieprawidłowo użytkowane. Producent nie odpowiada za szkody powstałe w wyniku wypadku, nieprawidłowej instalacji lub niewłaściwego użytkowania.

Odpowiedzialność ogranicza się do wymiany wadliwego urządzenia. Niniejsza gwarancja jest niezwykła. Nie wpływa ona na prawa statutowe użytkownika.

Aby skorzystać z gwarancji, w pierwszej kolejności należy skontaktować się z działem obsługi klienta Hozelock Cyprio, który może zażądać przesłania wraz z filtrem dowodu zakupu bezpośrednio pod poniższy adres.

**USZKODZENIA SPOWODOWANE PRACĄ URZĄDZENIA EasyClear™ BEZ WODY LUB NA SKUTEK ZAMARZNIĘCIA POWODUJĄ UNIEWAŻNIENIE GWARANCJI.**

## Wykrywanie usterek

Przed przeprowadzeniem jakichkolwiek czynności naprawczych urządzenia EasyClear™ należy

przeczytać sekcje dotyczące bezpieczeństwa zawarte w tej instrukcji! Może być również wymagane zapoznanie się z sekcją dotyczącą konserwacji.

### NISKI PRZEPŁYW WODY Z POMPY

- a – Pianki mogą być zablokowane i mogą wymagać czyszczenia
- b – Należy upewnić się, że zewnętrzny kosz jest czysty.
- c – Usunąć wszelkie blokujące elementy i ustawić odpowiedni poziom przepływu.
- d – Sprawdzić, czy biała klapka w komorze pompy porusza się swobodnie.
- e – Należy upewnić się, że wirnik jest czysty i porusza się swobodnie.

### SŁABY EFEKT FONTANNY

- a – Jak wyżej
- b – Wyczyścić głowicę fontanny.

### LAMPA UV NIE DZIAŁA

- a – Sprawdzić, czy zasilanie jest włączone.
- b – Sprawdzić bezpiecznik, zabezpieczenie różnicowo-prądowe (RCD) oraz przewody.
- c – Wymienić lampę.
- d – Mogło zadziałać zabezpieczenie przeciążeniowe –

patrz sekcja Zabezpieczenie przeciążeniowe.

### POMPA NIE DZIAŁA

- a – Sprawdzić, czy zasilanie jest włączone.
- b – Sprawdzić bezpiecznik, zabezpieczenie różnicowo-prądowe (RCD) oraz przewody.
- c – Sprawdzić, czy wirnik nie jest zablokowany.
- d – Mogło zadziałać zabezpieczenie przeciążeniowe – patrz sekcja Zabezpieczenie przeciążeniowe.
- e – Należy upewnić się, czy zewnętrzna klatka jest czysta.
- f – Sprawdzić, czy do sekcji lampy nie przedostaje się woda.



Urządzeń elektrycznych nie należy wyrzucać wraz z niesortowanymi odpadami komunalnymi. Należy je oddać do specjalistycznych punktów zbiórki odpadów. Lokalne władze udzielają informacji na temat dostępnych metod utylizacji odpadów. Jeśli urządzenia elektryczne są składowane na wysypiskach śmieci, niebezpieczne substancje mogą przenikać do wód gruntowych i dostać się do łańcucha pokarmowego, oddziałując szkodliwie na zdrowie i samopoczucie człowieka. Na terytorium Unii Europejskiej sprzedawca jest prawnie zobowiązany do nieodpłatnego przyjęcia zużytego sprzętu i jego utylizacji w przypadku wymiany zużytych urządzeń na nowe.

## Dane techniczne

Número da peça	1764	1766	1768
Model	6000	7500	9000
V	230V 50Hz	230V 50Hz	230V 50Hz
Moc promiennika UVC (W)	9	11	13
Moc promiennika UVC (W)	40	43	55
Maksymalna pojemność sadzawki bez ryb	6000 ltr (1319 gal)	7500 ltr (1648 gal)	9000ltr (1978 gal)
Maksymalna pojemność zbiornika z rybami	4000 ltr (879 gal)	5000 ltr (1099 gal)	6000 ltr (1319 gal)
Maksymalne natężenie przepływu, Qmax, (l/godz.)	1700 lph (374 gph)	1700 lph (374 gph)	2850 lph (627 gph)
Maks. słup wody, Hmax, (m)	2m	2m	2.3m
Stopień ochrony IP	IPX8	IPX8	IPX8
Maksymalna temperatura wody, Tmax, (°C)	35°C	35°C	35°C

\* Pomiar w warunkach kontrolowanych



Hozelock Ltd.  
Midpoint Park, Birmingham,  
B76 1AB. England  
Tel: +44 (0) 121 313 1122

[www.hozelock.com](http://www.hozelock.com)

33905-000