

# Operation Manual

## Waste Water Ball Valve and Remote Control

78101 – with remote control  
78102 – without remote control

# toboli



78101-1



78101-2

Illustration similar, may vary depending on model

Read and follow the operating instructions and safety information before using for the first time.

Technical changes reserved!

Due to further developments, illustrations, functioning steps, and technical data can differ insignificantly.

Updating the documentation

If you have suggestions for improvement or have found any irregularities, please contact us.



The information contained in this document may alter at any time without previous notice. It is prohibited to copy or spread any parts of this document in any way without prior written allowance. All rights reserved.

The WilTec Wildanger Technik GmbH cannot be held accountable for any possible mistakes in this operating manual, nor in the diagrams and figures shown.

Even though, the WilTec Wildanger Technik GmbH has undergone biggest possible efforts to ensure that the operating manual is complete, faultless, and up to date, mistakes cannot be entirely avoided.

If you should find a mistake or wish to make a suggestion for improvement, we look forward to hearing from you.

Send an e-mail to:

[service@wiltec.info](mailto:service@wiltec.info)

or use our contact form:

<https://www.wiltec.de/contacts/>

The most recent version of this manual in various languages can be found in our online shop via:

<https://www.wiltec.de/docsearch>

Our postal address is:

WilTec Wildanger Technik GmbH  
Königsbenden 12  
52249 Eschweiler  
Germany

To return orders for exchange, repair, or other purposes, please use the following address. Attention! To allow for a smooth execution of your complaint or return, it is important to contact our customer service team before returning the goods.

Returns Department  
WilTec Wildanger Technik GmbH  
Königsbenden 28  
52249 Eschweiler

E-mail: **service@wiltec.info**

Tel: +49 2403 55592-0

Fax: +49 2403 55592-15



## Introduction

Thank you for purchasing this quality product. **To minimise the risk of injury we urge that our clients take some basic safety precautions when using this device. Please read the operation instructions carefully and make sure you have understood its content.**

Keep these operation instructions safe.

## Note

The waste water ball valve consists of the 5 V output voltage ball valve (78101-1) and the 9-12 V remote control (78101-2). The items can also be purchased separately.

## Functional description

- Valve electrically operated (12 V), facilitating the easy draining of the waste tank of your caravan or mobile home via remote control
- Control element mounted on a 1-inch ball valve (large diameter and no risk of clogging)
- Simple to use:
  - Place your camping vehicle to the disposal drain so that the outlet is correctly placed above the gully for the waste disposal.
  - Then open the drain valve via the remote control from inside or outside.
  - After successfully emptying your waste tank, close the outlet again by pressing the remote control.
- No more dirty hands, no need to crawl under your vehicle.

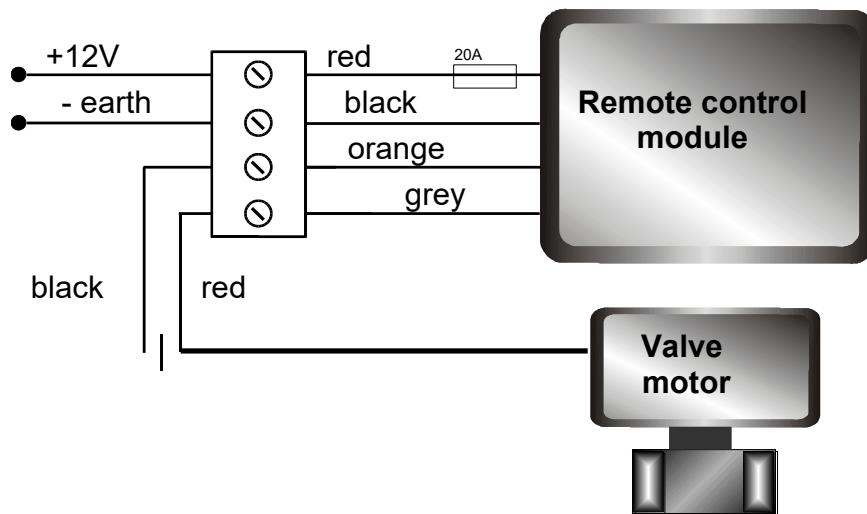
## Scope of delivery

1 × waste water ball valve  
1 × control element  
1 × remote control

## Installation instructions

- The control unit must be protected against humidity.
- Make sure that the ball valve is firmly installed and placed in a safe location.
- Do not install it in the proximity of easily inflammable objects/liquids.

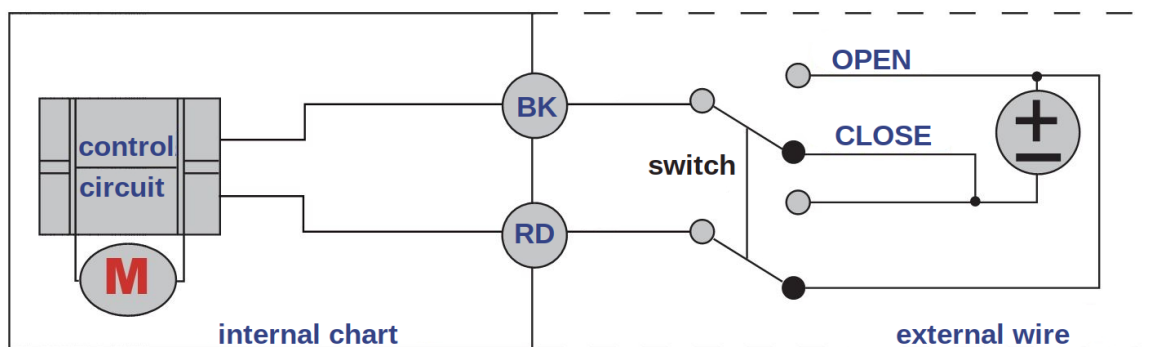
### Connection scheme remote control



### Connection

The remote-control module is already equipped with screw-type terminals to which the operating voltage and the valve motor can be connected.

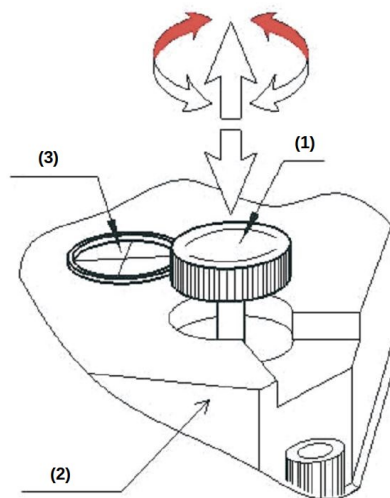
### Connection scheme waste water ball valve



1. If the switch is connected with "OPEN," the valve will open and stay open.
2. If the switch is connected with "CLOSE," the valve will close and stay closed.

The switch is a double connection plane switch (DPDT).

## Manual override

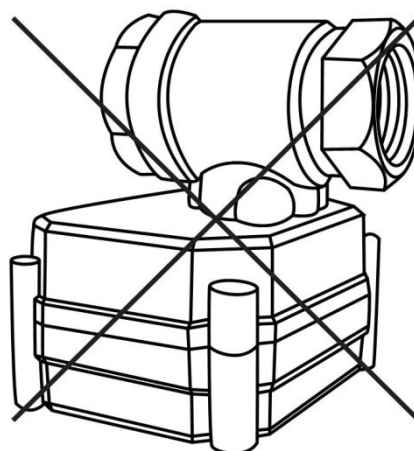


Nº	Name	Nº	Name
1	Hand-wheel	3	Indicator
2	Valve		

1. It is only permitted to use when the power is cut.
2. Lift the hand-wheel, and turn it left or right until the valve is in place.
3. A horizontal red line on the indicator says that the valve is on; when vertical, the valve is off.
4. Press down the hand-wheel after using the manual override in order to allow proper working when power is supplied.

## Safety precautions

1. Make sure that the voltage applied to the valve is 5 V. A too high voltage can lead to damages and a too low voltage is often the reason for a valve not correctly working.
2. Make sure that the valve is not installed upside down.



## Disposal regulations

EU guidelines regarding the disposal of scrap electric appliances (WEEE, 2012/19/EU) were implemented in the law related to electrical and electronic equipment and appliances.

All WiTec electric devices that fall under the WEEE regulations are labelled with the crossed-out wheeled waste bin logo. This logo indicates that this electric equipment must not be disposed with the domestic waste.

The company WiTec Technik GmbH has been registered in the German registry EAR under the WEEE-registration number DE45283704.

Disposal of used electrical and electronic appliances (intended for use in the countries of the European Union and other European countries with a separate collection system for these appliances).

The logo on the article or on its packaging points out that this article must not be treated as normal household waste but must be disposed to a recycling collection point for electronic and electrical waste equipment. By contributing to the correct disposal of this article you protect the environment and the health of your fellow men. Environment and health are threatened by inappropriate disposal.



Material recycling helps reduce the consumption of raw materials.

Additional information on recycling this article can be provided by your local community, municipal waste disposal facilities, or the store where you purchased the article.

Address:  
WiTec Wildanger Technik GmbH  
Königsbenden 12 / 28  
D-52249 Eschweiler

### Important notice:

The reprint or reproduction, even of excerpts, and any commercial use, even in part, of this instruction manual require the written permission of WiTec Wildanger Technik GmbH.