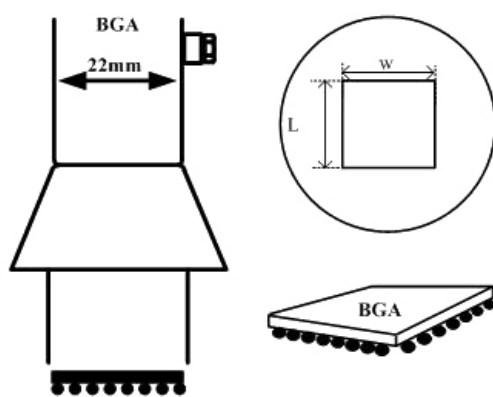


	<b>AOYUE Heißluftdüsen Hot-Air Nozzles</b>	<a href="#">BGA</a>	<a href="#">SOJ</a>
		<a href="#">PLCC</a>	<a href="#">QFP</a>
		<a href="#">SOP</a>	<a href="#">BQFP</a>
		<a href="#">TSOL</a>	<a href="#">BENT SINGLE</a>
		<a href="#">DUAL SINGLE ADJUSTABLE</a>	<a href="#">SIP</a>
		<a href="#">STRAIGHT SINGLE</a>	

# Heißluftdüsen für Aoyue Lötgeräte

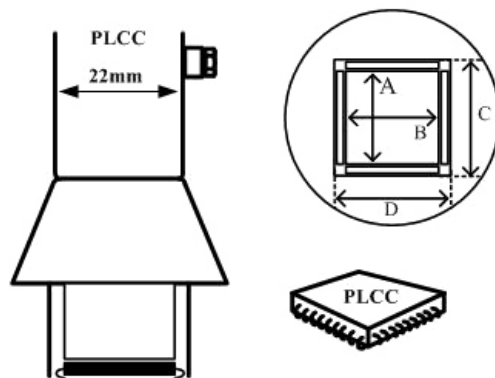
## Ball Grid Array / BGA



Ball Grid Array (BGA) Air Nozzle / Heißluftdüse				
Product Code Artikelnummer	Aoyue Model	BGA Package Size (mm)	Nozzle L (mm)	Nozzle W (mm)
91010	1010	9 x 9	10	10
91313	1313	12 x 12	13	13
91616	1616	15 x 15	16	16
91919	1919	18 x 18	19	19
912828	2828	27 x 27	28	28
913636	3636	35 x 35	36	36
913939	3939	38 x 38	39	39
914141	4141	40 x 40	41	41

[Top](#)

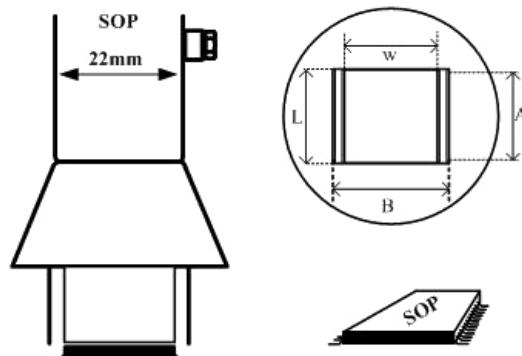
## Plastic Leaded Chip Carrier / PLCC



Plastic Leaded Chip Carrier (PLCC) Air Nozzle / Heißluftdüse							
Product Code Artikelnummer	Aoyue Model	PLCC Package Size (mm)	PLCC Pins	Vent L (mm)	Vent W (mm)	A (mm)	B (mm)
91139	1139	7.3 x 12.5	18	6.9	6.9	9	14
91188	1188	9 x 9	20	10	10	11	11
91140	1140	11.5 x 11.5	28	10	10	13	13
91141	1141	11.5 x 14	32	10	15	12	15
91135	1135	17.5 x 17.5	44	15	15	17.5	17.5
91136	1136	20 x 20	52	19	19	20	20
91137	1137	25 x 25	68	24	24	25	25
91138	1138	30 x 30	84	29	29	30	30
91189	1189	34 x 34	100	33	33	35	35

[Top](#)

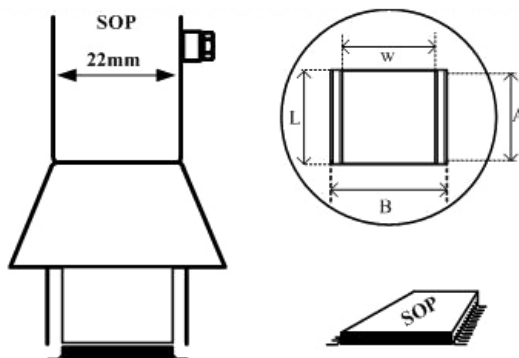
**Small Outline Package / SOP**



Small Outline Package (SOP) Air Nozzle / Heißluftdüse					
Product Code Artikelnummer	Aoyue Model	SOP Package Size (mm)	Length L (mm)	Width W (mm)	Nozzle Type
91131	1131	4.4 x 10	10	4.8	1
91132	1132	5.6 x 13	15	5.7	1
91133	1133	7.5 x 15	16	7.2	1
91134	1134	7.5 x 18	19	7.2	1
91257	1257	11 x 21	21	11.7	2
91258	1258	7.6 x 12.7	11.7	8.2	2
91259	1259	13 x 28	29	13.5	2
91260	1260	8.6 x 18	19	8.7	2

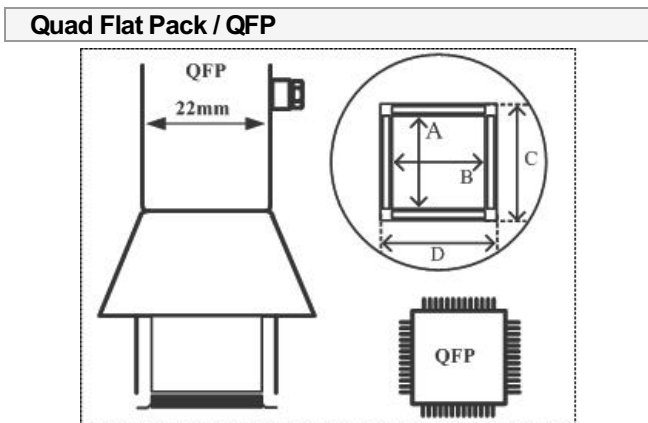
[Top](#)

**Thin Small Outline / TSOL**



Thin Small Outline (TSOL) Air Nozzle / Heißluftdüse				
Product Code Artikelnummer	Aoyue Model	TSOL Package Size (mm)	Length L (mm)	Width W (mm)
91185	1185	13 x 10	10	11.9
91186	1186	18 x 10	10	18.5
91187	1187	18.5 x 8	11.7	18.2

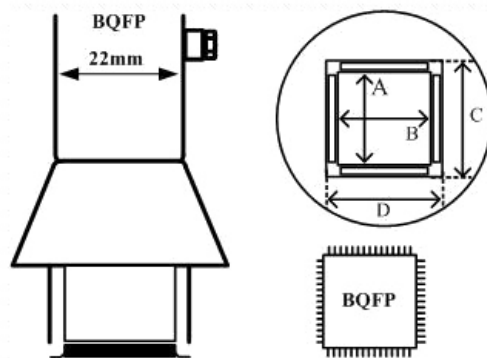
[Top](#)



Quad Flat Pack (QFP) Air Nozzle / Heißluftdüse						
Product Code Artikelnummer	Aoyue Model	QFP Package Size (mm)	Vent L (mm)	Vent W (mm)	A (mm)	B (mm)
91125	1125	10 x 10	10	10	10.2	10.2
91262	1262	12 x 12	12	12	12.2	12.2
91126	1126	14 x 14	15	15	15.2	15.2
91127	1127	17.5 x 17.5	19	19	19.2	19.2
91128	1128	14 x 20	15	21	15.2	21.2
91261	1261	20 x 20	21	21	20.2	20.2
91129	1129	28 x 28	29	29	29.5	29.5
91263	1263	28 x 40	29	39	27.7	39.7
91265	1265	32 x 32	31	31	32.2	32.2
91264	1264	40 x 40	39	39	40.2	40.2
91215	1215	42.5 x 42.5	40	40	42.5	42.5

[Top](#)

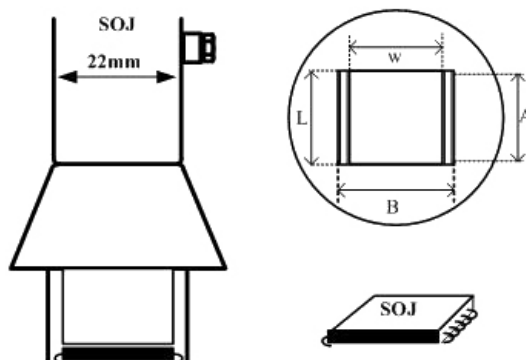
**Bumpered Quad Flat Pack / BQFP**



Bumpered Quad Flat Pack (BQFP) Air Nozzle / Heißluftdüse						
Product Code Artikelnummer	Aoyue Model	BQFP Package Size (mm)	Vent L (mm)	Vent W (mm)	A (mm)	B (mm)
91180	1180	17 x 17	13.6	13.6	18.2	18.2
91181	1181	19 x 19	16	16	19.2	19.2
91182	1182	24 x 24	21	21	24.2	24.2
91203	1203	35 x 35	30.6	30.6	35.2	35.2

[Top](#)

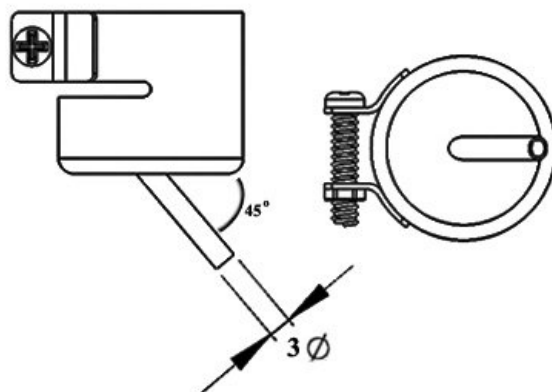
**Small Outline J Lead / SOJ**



Small Outline J Lead (SOJ) Air Nozzle / Heißluftdüse					
Product Code Artikelnummer	Aoyue Model	SOJ Package Size (mm)	Length L (mm)	Width W (mm)	Nozzle Type
91183	1183	15 x 8	16.1	8	2
91184	1184	18 x 8	19	10	1
91214	1214	10 x 26	12	26	2

[Top](#)

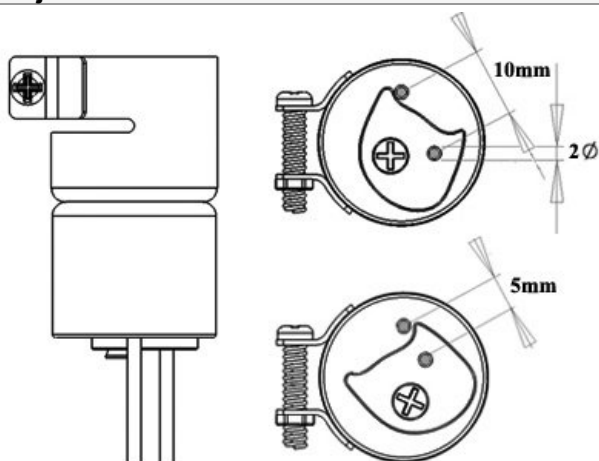
**Bent Single**



Bent Single Air Nozzle / Heißluftdüse				
Product Code Artikelnummer	Aoyue Model	Form	Nozzle L (mm)	Nozzle W (mm)
91142	1142	45° abgeknickt	3	1,5

[Top](#)

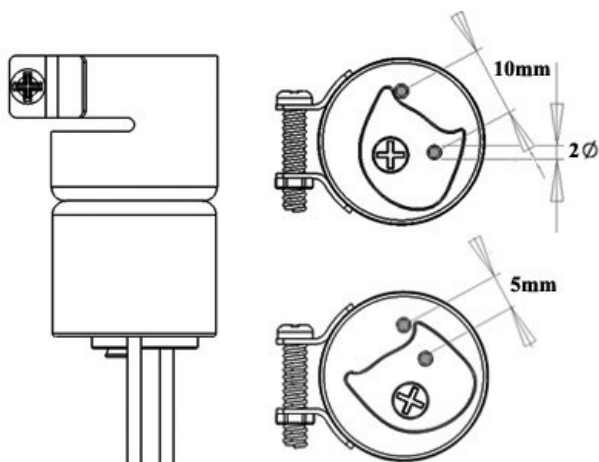
**Dual Single Adjustable**



Dual Single Adjustable Air Nozzle / Heißluftdüse				
Product Code Artikelnummer	Aoyue Model	Form	Nozzle L (mm)	Nozzle W (mm)
91325	1325	2x 1.5mm rund	einstellbar	5-10 mm

[Top](#)

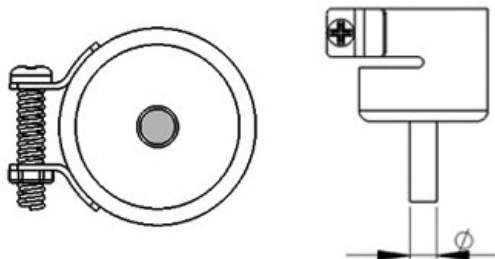
**SIP**



Single In Line Package (SIP) Air Nozzle / Heißluftdüse				
Product Code Artikelnummer	Aoyue Model	Form	Nozzle (mm)	IC- Gehäuse
91191	1191	Schlitz	26	SIP 25 L
91192	1192	Schlitz	52,5	SIP 50 L

[Top](#)

**Straight Single**



Straight Single Air Nozzle / Heißluftdüse				
Product Code Artikelnummer	Aoyue Model	Form	Nozzle Ø (mm)	IC- Gehäuse
91124	1124	rund	2,5	N/A
91130	1130	rund	4,4	N/A
91194	1194	rund	6	N/A
91195	1195	rund	8	N/A
91196	1196	rund	7	N/A
91197	1197	rund	9	N/A
91198	1198	rund	12	N/A

[Top](#)